

FINAL

Government of Nepal
Ministry of Federal Affairs and General Administration
Department of Local Infrastructure
Rural Connectivity Improvement Project (RCIP)
Project Coordination Unit (PCU)
Shreemahal, Pulchowk, Lalitpur

Detail Project Report
Of
Bijauri-Basdabara-Jamuni-Laxmipur-Dakchin-Kurhariya-Kanjawar-Kothari Road
(Dang District)

Preparation of Detail Project Report of Rural Connectivity Improvement Project (RCIP)-Phase 2
(Package No.- DoLI/RCIP/DPR-04/2019, Province No.5)

Volume 1.C Drawings

Submitted By:
ITECO Nepal (P) Ltd.
Inclusive Consultants Pvt. Ltd.
(ITECO-Inclusive J/V)

March 2022

Government of Nepal
Ministry of Federal Affairs and General Administration
Department of Local Infrastructure
Rural Connectivity Improvement Project (RCIP)
Project Coordination Unit (PCU)
Shreemahal, Pulchowk, Lalitpur

Detail Project Report
Of
Bijauri-Basdabara-Jamuni-Laxmipur-Dakchin-Kurhariya-Kanjawar-Kothari Road
(Dang District)

Preparation of Detail Project Report of Rural Connectivity Improvement Project (RCIP)-Phase 2
(Package No.- DoLI/RCIP/DPR-04/2019, Province No.5)

Volume 1.C Drawings
Plan and Profile
Cross Section
Standard Drawings

Submitted By:
ITECO Nepal (P) Ltd.
Inclusive Consultants Pvt. Ltd.
(ITECO-Inclusive J/V)

March 2022

Government of Nepal
Ministry of Federal Affairs and General Administration
Department of Local Infrastructure
Rural Connectivity Improvement Project (RCIP)
Project Coordination Unit (PCU)
Shreemahal, Pulchowk, Lalitpur

Detail Project Report
Of
Bijauri-Basdabara-Jamuni-Laxmipur-Dakchin-Kurhariya-Kanjawar-Kothari Road
(Dang District)

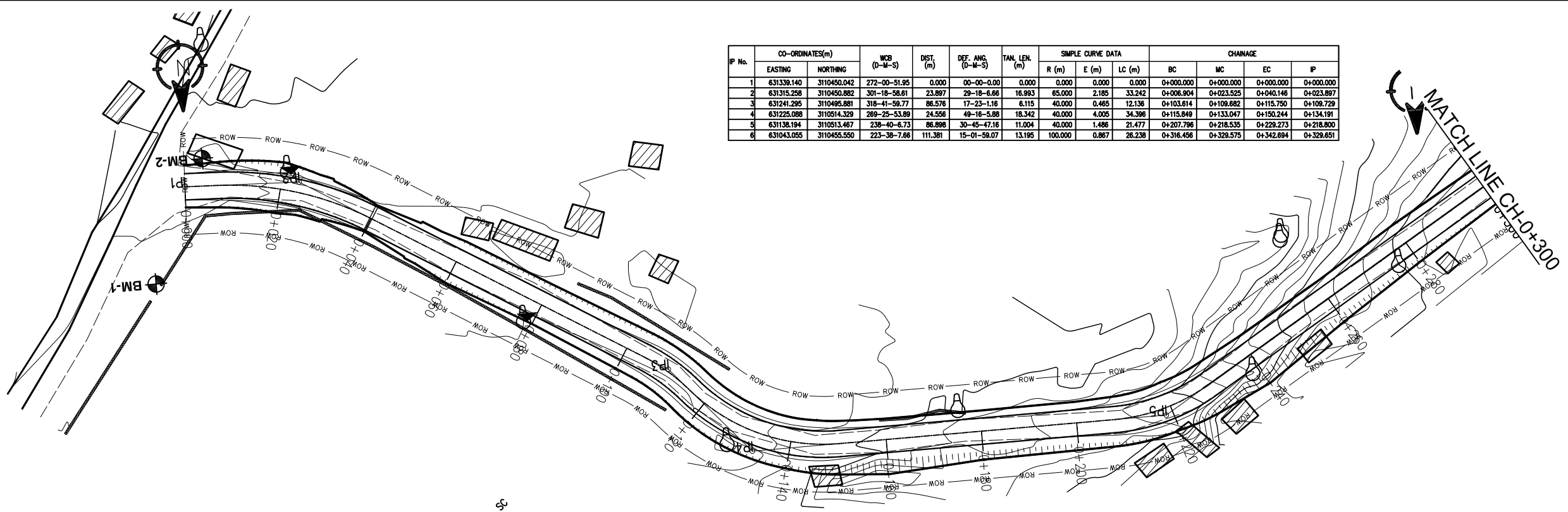
Preparation of Detail Project Report of Rural Connectivity Improvement Project (RCIP)-Phase 2
(Package No.- DoLI/RCIP/DPR-04/2019, Province No.5)

Volume 1.C Drawings
Plan and Profile

Submitted By:
ITECO Nepal (P) Ltd.
Inclusive Consultants Pvt. Ltd.
(ITECO-Inclusive J/V)

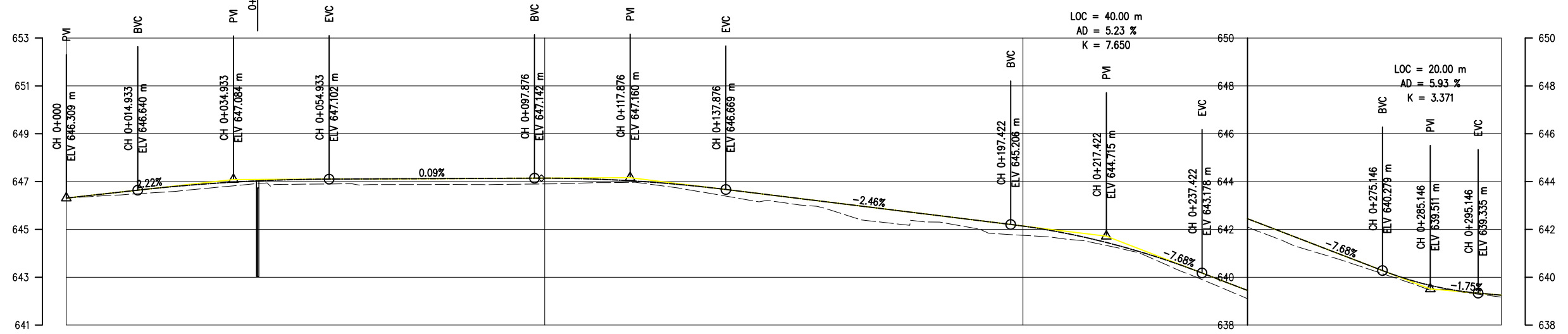
March 2022

IP No.	CO-ORDINATES(m)		WCB (D-M-S)	DIST. (m)	DEF. ANG. (D-M-S)	TAN. LEN. (m)	SIMPLE CURVE DATA		CHAINAGE			
	EASTING	NORTHING					R (m)	E (m)	LC (m)	BC	MC	EC
1	631339.140	3110450.042	272-00-51.95	0.000	00-00-0.00	0.000	0.000	0.000	0+000.000	0+000.000	0+000.000	0+000.000
2	631315.258	3110450.882	301-18-58.61	23.897	29-18-6.66	16.993	85.000	2.185	33.242	0+006.904	0+023.525	0+040.146
3	631241.295	3110495.881	316-41-59.77	86.576	17-23-1.16	6.115	40.000	0.465	12.136	0+103.614	0+109.682	0+115.750
4	631225.088	3110514.329	289-25-53.89	24.556	49-16-5.88	18.342	40.000	4.005	34.396	0+115.849	0+133.047	0+150.244
5	631138.194	3110513.467	238-40-6.73	86.898	30-45-47.16	11.004	40.000	1.488	21.477	0+207.796	0+218.535	0+229.273
6	631043.055	3110455.550	223-38-7.86	111.381	15-01-59.07	13.195	100.000	0.867	28.238	0+316.456	0+329.575	0+342.694



Replacement of FPC BY 0.5m Span SC
 LOC = 40.00 m
 AD = 2.13 %
 K = 18.08

HP CH = 0+099.321
 HP ELV = 647.14 m
 LOC = 40.00 m
 AD = 2.55 %
 K = 15.697



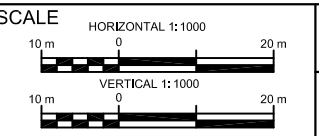
HORIZONTAL ALIGNMENT	RIGHT																																
	LEFT																																
			IP-1 R=0.00	IP-2 R=65.00										IP-3 R=40.00					IP-4 R=40.00							IP-5 R=40.00							
DESIGN LEVEL(m)			646.309	646.531	646.746	646.914	647.029	647.091	647.107	647.116	647.125	647.134	647.142	647.106	647.006	646.842	646.617	646.371	646.125	645.880	645.634	645.388	645.139	644.794	644.318	643.712	642.980	642.211	641.443	640.674	639.941	639.465	639.250
EXISTING LEVEL(m)			646.309	646.431	646.552	646.731	646.917	646.891	646.899	646.875	646.880	646.880	646.900	646.953	646.944	646.660	646.319	646.114	645.792	645.311	645.311	645.041	644.753	644.574	644.222	643.518	642.688	641.856	641.114	640.490	639.826	639.440	639.171
CHAINAGE(Km)			0+000	0+010	0+020	0+030	0+040	0+050	0+060	0+070	0+080	0+090	0+100	0+110	0+120	0+130	0+140	0+150	0+160	0+170	0+180	0+190	0+200	0+210	0+220	0+230	0+240	0+250	0+260	0+270	0+280	0+290	0+300

Government of Nepal
 Ministry of Federal Affairs and General Administration
 Department of Local Infrastructure (DoLI)
 Rural Connectivity Improvement Project-phase 2
 (DoLI/RCIP/DPR-04/2019)

CONSULTANT:
ITECO - INCLUSIVE JV
 Sitapaila Chowk, Ring Road

ROAD NAME :
 Bijauri-Basdabara-Jmuni-Laxmipur-
 Dakchin-Kurariya-Kanjawar-Kothari
 Road
 Dang District

DATE
 REVISION
 SIGNATURE
 DESIGNED BY :
 DRAWN BY :
 CHECKED BY :
 APPROVED BY :

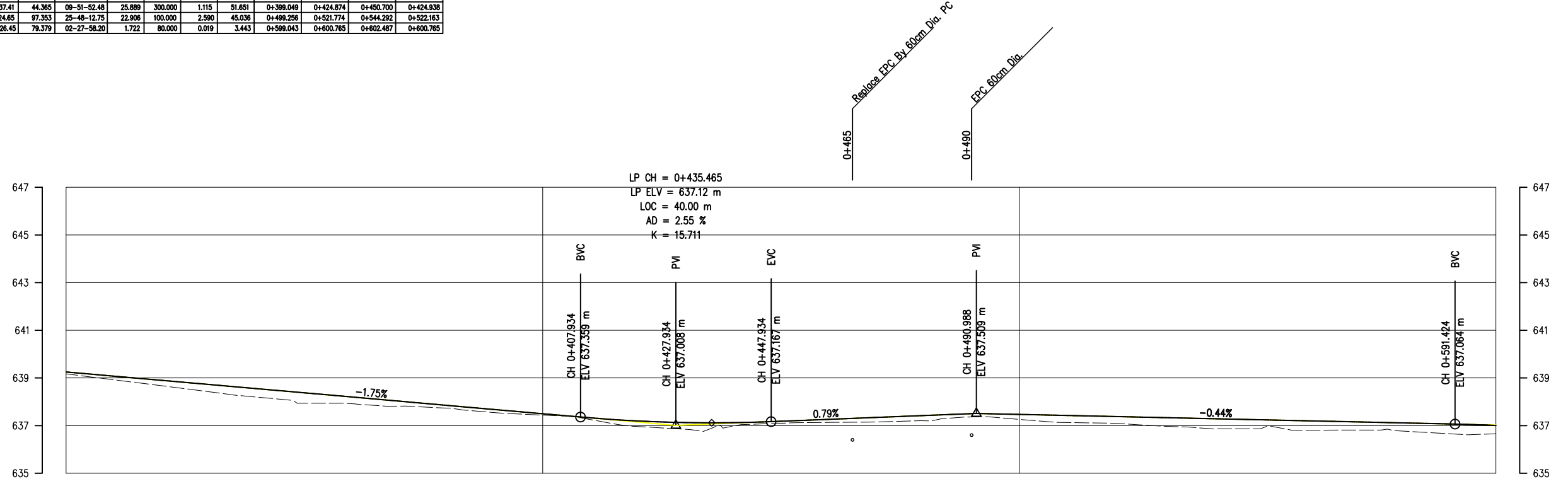


Plan & Profile
 0+000-0+300

DATE: March 2022
 DRG NO : RCIIP2/DNG/BBJ/PP
 SHEET NO : 1

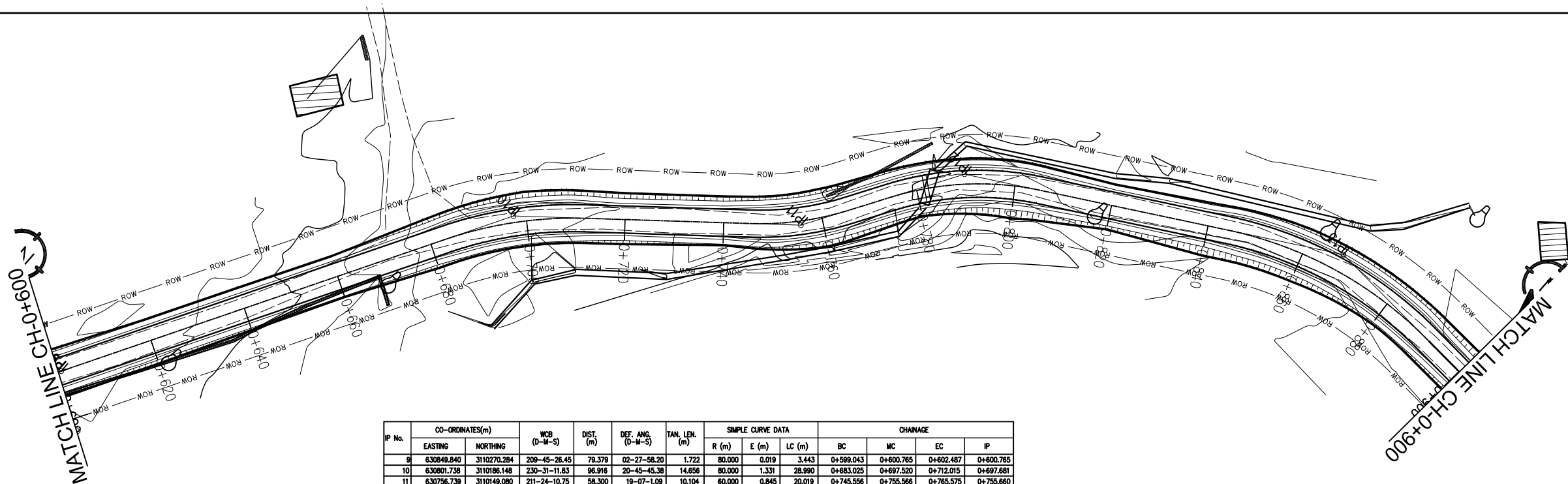


IP No.	CO-ORDINATES(m)		WCB (D-M-S)	DIST. (m)	DEF. ANG. (D-M-S)	TAN. LEN. (m)	SIMPLE CURVE DATA			CHAINAGE			
	EASTING	NORTHING					R (m)	E (m)	LC (m)	BC	MC	EC	IP
6	631043.055	3110455.550	223-38-7.66	111.381	15-01-59.07	13.195	100.000	0.867	28.238	0+316.456	0+329.575	0+342.694	0+329.651
IP244	631007.805	3110418.579	228-09-44.93	51.082	04-31-37.28	7.905	200.000	0.156	15.802	0+372.676	0+380.577	0+388.478	0+380.581
7	630974.751	3110388.987	238-01-37.41	44.385	09-51-52.48	25.889	300.000	1.115	51.651	0+399.049	0+424.874	0+450.700	0+424.938
8	630892.167	3110337.437	212-13-24.65	97.353	25-48-12.75	22.906	100.000	2.590	45.036	0+498.256	0+521.774	0+544.292	0+522.183
9	630849.840	3110270.284	209-45-28.45	78.379	02-27-58.20	1.722	80.000	0.019	3.443	0+599.043	0+600.785	0+602.487	0+600.785



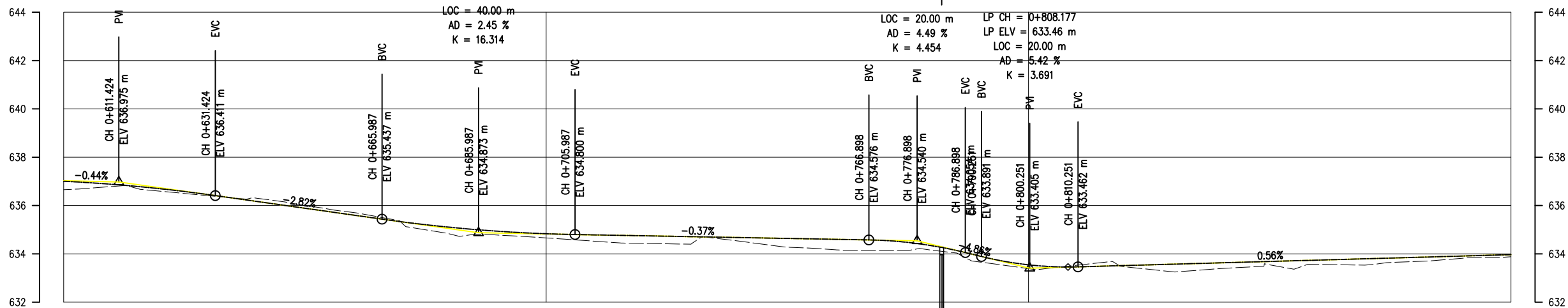
HORIZONTAL ALIGNMENT	RIGHT																														
	LEFT																														
DESIGN LEVEL(m)	639.250	639.075	638.900	638.725	638.549	638.374	638.199	638.024	637.848	637.673	637.498	637.324	637.149	637.127	637.124	637.184	637.263	637.342	637.422	637.501	637.469	637.425	637.380	637.336	637.292	637.247	637.203	637.159	637.114	637.070	637.004
EXISTING LEVEL(m)	639.171	638.923	638.674	638.420	638.196	637.939	637.916	637.817	637.737	637.545	637.440	637.253	636.962	636.844	636.981	637.099	637.133	637.154	637.203	637.364	637.259	637.130	637.094	636.976	636.870	636.864	636.810	636.811	636.774	636.659	636.657
CHAINAGE(Km)	0+300	0+310	0+320	0+330	0+340	0+350	0+360	0+370	0+380	0+390	0+400	0+410	0+420	0+430	0+440	0+450	0+460	0+470	0+480	0+490	0+500	0+510	0+520	0+530	0+540	0+550	0+560	0+570	0+580	0+590	0+600

Government of Nepal Ministry of Federal Affairs and General Administration Department of Local Infrastructure (DoLI) Rural Connectivity Improvement Project-phase 2 (DoLI/RCIP/DPR-04/2019)	CONSULTANT: ITECO - INCLUSIVE JV Sitapaila Chowk, Ring Road	ROAD NAME : Bijauri-Basdabara-Jmuni-Laxmipur- Dakchin-Kurariya-Kanjawar-Kothari Road Dang District	DATE	REVISION	SIGNATURE	DESIGNED BY :	DRAWN BY :	CHECKED BY :	APPROVED BY :	SCALE HORIZONTAL 1:1000 VERTICAL 1:1000 	Plan & Profile 0+300-0+600	DATE: March 2022 DRG NO : RCIP2/DNG/BBJ/PP SHEET NO : 2
--	--	--	------	----------	-----------	---------------	------------	--------------	---------------	---	---	--



IP No.	CO-ORDINATES(m)		WCB (D-M-S)	DIST. (m)	DEF. ANG. (D-M-S)	TAN. LEN. (m)	SIMPLE CURVE DATA			CHAINAGE			
	EASTING	NORTHING					R (m)	E (m)	LC (m)	BC	MC	EC	IP
9	630848.840	3110270.284	209-45-28.45	79.379	02-27-58.20	1.722	80.000	0.019	3.443	0+599.043	0+600.765	0+602.487	0+600.765
10	630801.738	3110186.148	230-31-11.83	96.916	20-45-45.38	14.656	80.000	1.331	28.990	0+683.025	0+697.520	0+712.015	0+697.681
11	630756.739	3110148.080	211-24-10.75	58.300	19-07-1.09	10.104	60.000	0.845	20.019	0+745.556	0+755.566	0+765.575	0+755.660
12	630738.636	3110119.426	240-40-3.83	34.743	29-15-53.08	15.665	60.000	2.011	30.646	0+774.550	0+789.873	0+805.196	0+790.215
13	630670.195	3110080.968	274-01-33.29	78.506	33-21-29.46	23.969	80.000	3.514	46.577	0+844.067	0+867.356	0+890.644	0+868.037

LOC = 40.00 m
AD = 2.38 %
K = 16.838



HORIZONTAL ALIGNMENT	RIGHT																														
	LEFT																														
DESIGN LEVEL(m)	637.004	636.879	636.695	636.451	636.170	635.888	635.606	635.329	635.102	634.937	634.833	634.785	634.748	634.712	634.675	634.638	634.602	634.554	634.336	633.903	633.546	633.460	633.516	633.572	633.629	633.685	633.741	633.797	633.853	633.910	633.966
EXISTING LEVEL(m)	636.657	636.787	636.594	636.407	636.303	635.999	635.711	635.298	634.826	634.778	634.660	634.524	634.433	634.399	634.326	634.279	634.166	634.130	634.150	633.660	633.388	633.529	633.464	633.255	633.393	633.546	633.564	633.538	633.683	633.818	633.879
CHAINAGE(Km)	0+600	0+610	0+620	0+630	0+640	0+650	0+660	0+670	0+680	0+690	0+700	0+710	0+720	0+730	0+740	0+750	0+760	0+770	0+780	0+790	0+800	0+810	0+820	0+830	0+840	0+850	0+860	0+870	0+880	0+890	0+900

Government of Nepal
Ministry of Federal Affairs and General Administration
Department of Local Infrastructure (DoLI)
Rural Connectivity Improvement Project-phase 2
(DoLI/RCIP/DPR-04/2019)

CONSULTANT:
ITECO - INCLUSIVE JV
Sitapaila Chowk, Ring Road

ROAD NAME:
Bijauri-Basdabara-Jmuni-Laxmipur-
Dakchin-Kurariya-Kanjawar-Kothari
Road
Dang District

DATE

REVISION

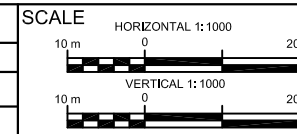
SIGNATURE

DESIGNED BY :

DRAWN BY :

CHECKED BY :

APPROVED BY :



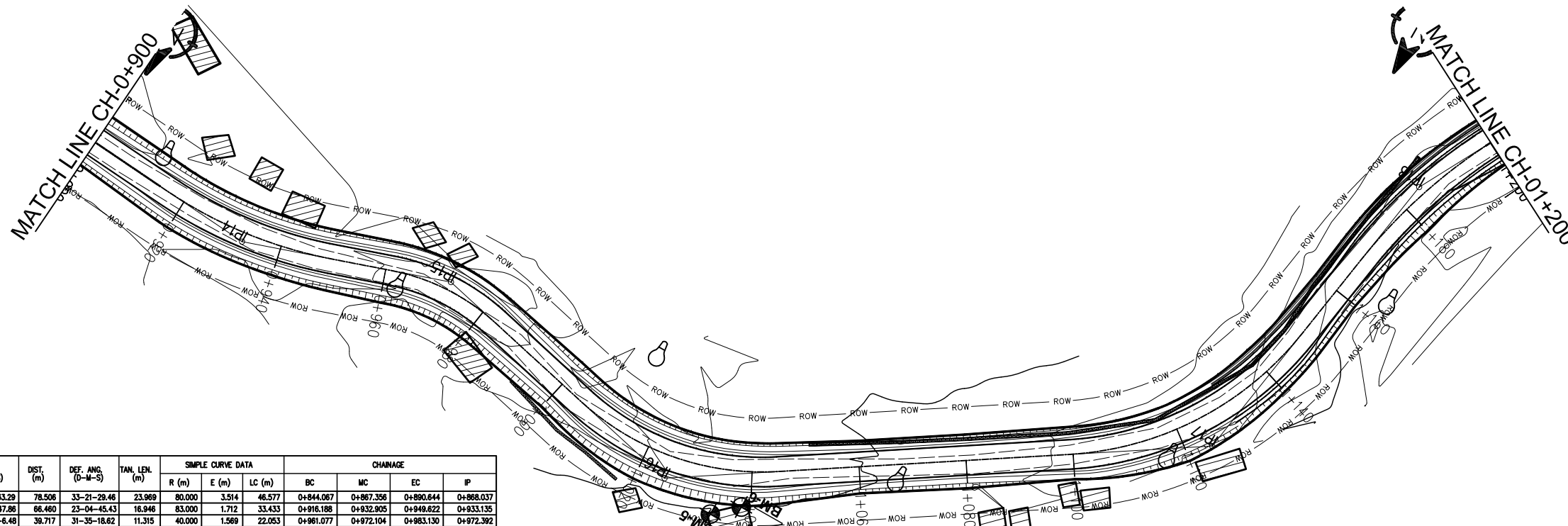
Plan & Profile

0+600-0+900

DATE: March 2022

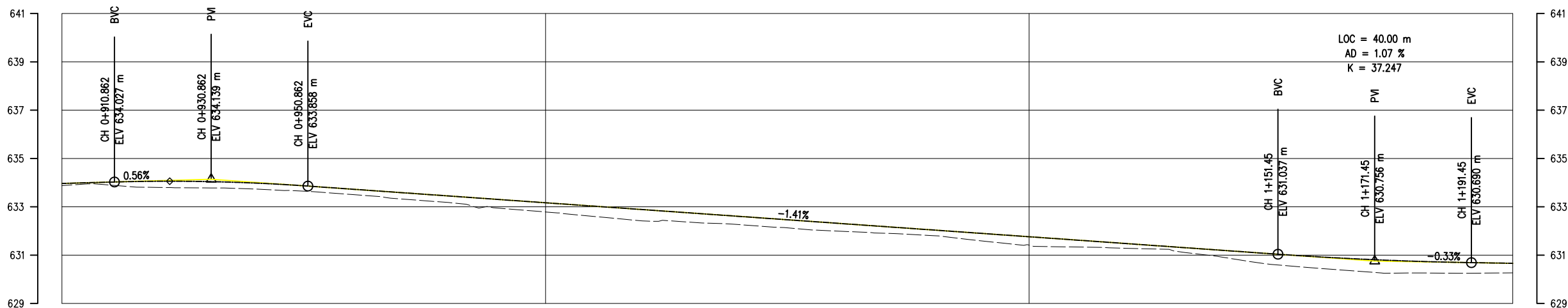
DRG NO : RCIP2/DNG/BBJ/PP

SHEET NO : 3



IP No.	CO-ORDINATES(m)		WCB (D-M-S)	DIST. (m)	DEF. ANG. (D-M-S)	TAN. LEN. (m)	SIMPLE CURVE DATA			CHAINAGE			
	EASTING	NORTHING					R (m)	E (m)	LC (m)	BC	MC	EC	IP
13	630670.195	3110080.968	274-01-33.29	78.506	33-21-29.46	23.969	80.000	3.514	46.577	0+844.067	0+867.356	0+890.644	0+968.037
14	630603.899	3110085.634	250-56-47.86	66.460	23-04-45.43	16.946	83.000	1.712	33.433	0+916.186	0+932.905	0+949.622	0+933.135
15	630566.356	3110072.669	282-32-6.48	39.717	31-35-18.62	11.315	40.000	1.569	22.053	0+961.077	0+972.104	0+983.130	0+972.392
16	630513.545	3110084.411	236-37-50.77	54.103	45-54-15.70	21.175	50.000	4.299	40.059	1+004.744	1+024.774	1+044.803	1+025.919
17	630428.056	3110028.107	188-38-35.05	102.365	47-59-15.72	26.706	60.000	5.675	50.253	1+099.288	1+124.414	1+149.540	1+125.994
18	630418.760	3109966.954	208-04-22.51	61.855	19-25-47.46	17.120	100.000	1.455	33.911	1+167.570	1+184.525	1+201.481	1+184.690

HP CH = 0+922.283
 HP ELV = 634.06 m
 LOC = 40.00 m
 AD = 1.97 %
 K = 20.323



HORIZONTAL ALIGNMENT	RIGHT		LEFT		IP-15 R=40.00																				IP-18 R=100.00						
	RIGHT	LEFT	RIGHT	LEFT																					RIGHT	LEFT					
DESIGN LEVEL(m)	633.966	634.022	634.058	634.044	633.982	633.870	633.730	633.589	633.448	633.308	633.167	633.026	632.886	632.745	632.605	632.464	632.323	632.183	632.042	631.901	631.761	631.620	631.480	631.339	631.198	631.058	630.927	630.823	630.745	630.695	630.661
EXISTING LEVEL(m)	633.879	633.898	633.801	633.781	633.735	633.647	633.507	633.327	633.176	632.948	632.786	632.601	632.416	632.361	632.262	632.128	631.998	631.905	631.808	631.593	631.413	631.335	631.284	631.171	630.913	630.615	630.452	630.306	630.264	630.250	630.265
CHAINAGE(Km)	0+900	0+910	0+920	0+930	0+940	0+950	0+960	0+970	0+980	0+990	1+000	1+010	1+020	1+030	1+040	1+050	1+060	1+070	1+080	1+090	1+100	1+110	1+120	1+130	1+140	1+150	1+160	1+170	1+180	1+190	1+200

Government of Nepal
 Ministry of Federal Affairs and General Administration
 Department of Local Infrastructure (DoLI)
Rural Connectivity Improvement Project-phase 2
 (DoLI/RCIP/DPR-04/2019)

CONSULTANT:
ITECO - INCLUSIVE JV
 Sitapaila Chowk, Ring Road

ROAD NAME:
 Bijauri-Basdabara-Jmuni-Laxmipur-
 Dakchin-Kurariya-Kanjawar-Kothari
 Road
 Dang District

DATE

REVISION

SIGNATURE

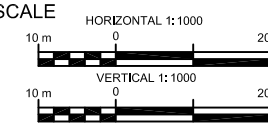
DESIGNED BY :

DRAWN BY :

CHECKED BY :

APPROVED BY :

SCALE



Plan & Profile

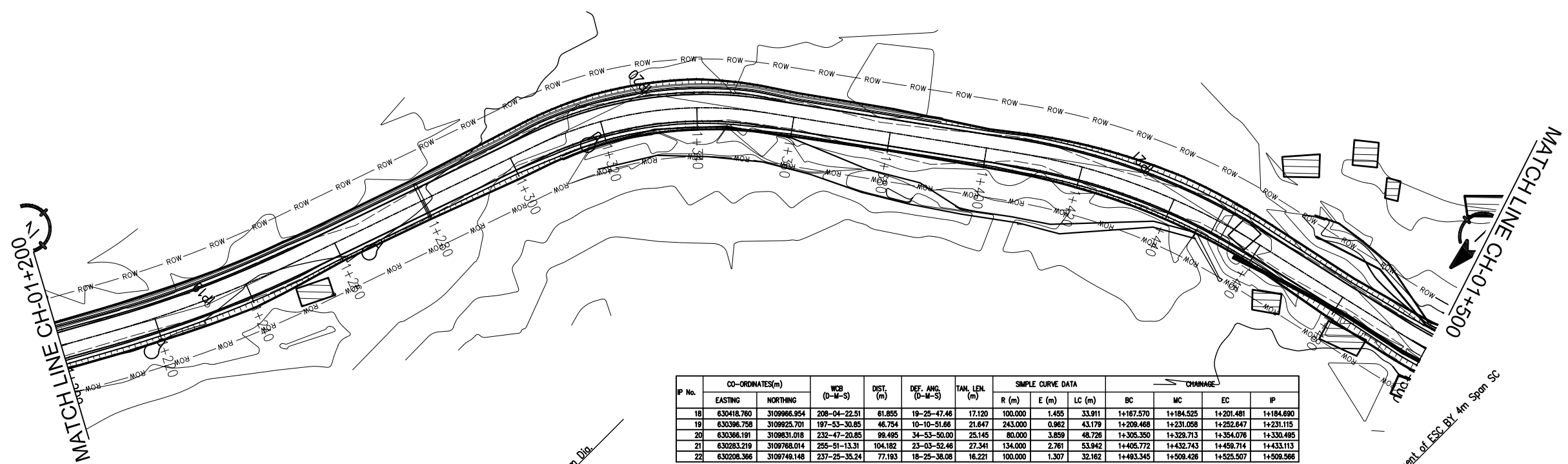
0+900-1+200

DATE: March 2022

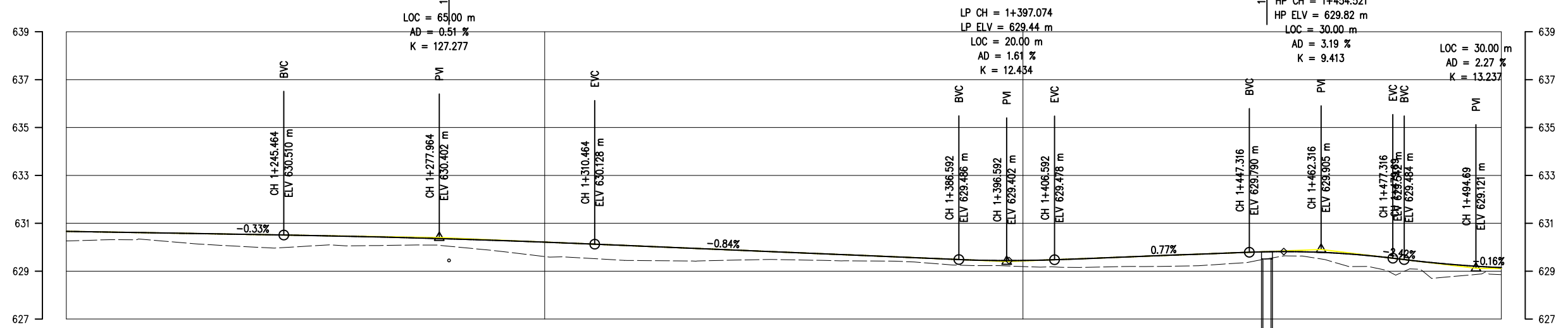
DRG NO : RCIP2/DNG/BBJ/PP

SHEET NO :

4

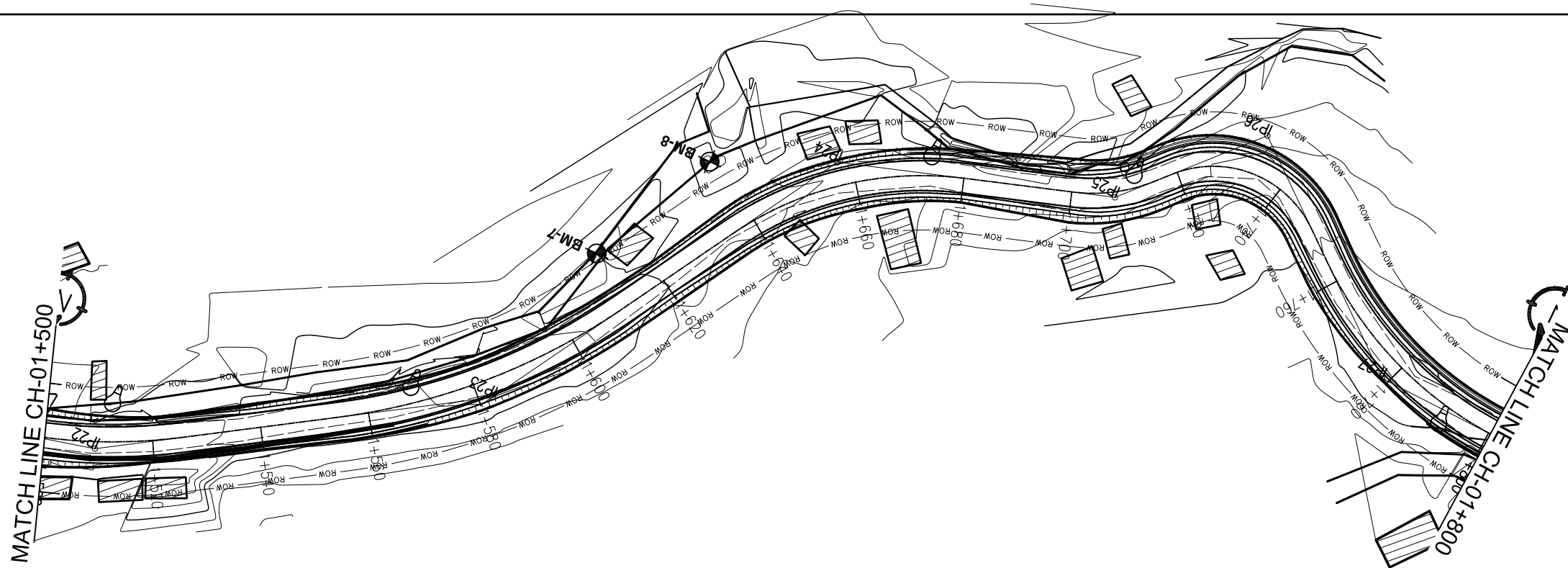


IP No.	CO-ORDINATES(m)		WCB (D-M-S)	DIST. (m)	DEF. ANG. (D-M-S)	TAN. LEN. (m)	SIMPLE CURVE DATA			CHANNAGE			
	EASTING	NORTHING					R (m)	E (m)	LC (m)	BC	MC	EC	IP
18	630418.760	3109966.954	208-04-22.51	61.855	19-25-47.46	17.120	100.000	1.455	33.911	1+167.570	1+184.525	1+201.481	1+184.690
19	630396.758	3109925.701	197-53-30.85	46.754	10-10-51.66	21.647	243.000	0.962	43.179	1+209.468	1+231.058	1+252.647	1+231.115
20	630386.191	3109931.016	232-47-20.85	99.495	34-53-50.00	23.145	80.000	3.859	48.726	1+305.350	1+328.713	1+354.078	1+330.495
21	630283.219	3109766.014	255-51-13.31	104.182	23-03-52.46	27.341	134.000	2.781	53.942	1+405.772	1+432.743	1+459.714	1+433.113
22	630208.366	3109748.148	237-25-35.24	77.193	18-25-38.08	18.221	100.000	1.307	32.162	1+493.345	1+509.428	1+525.507	1+509.566

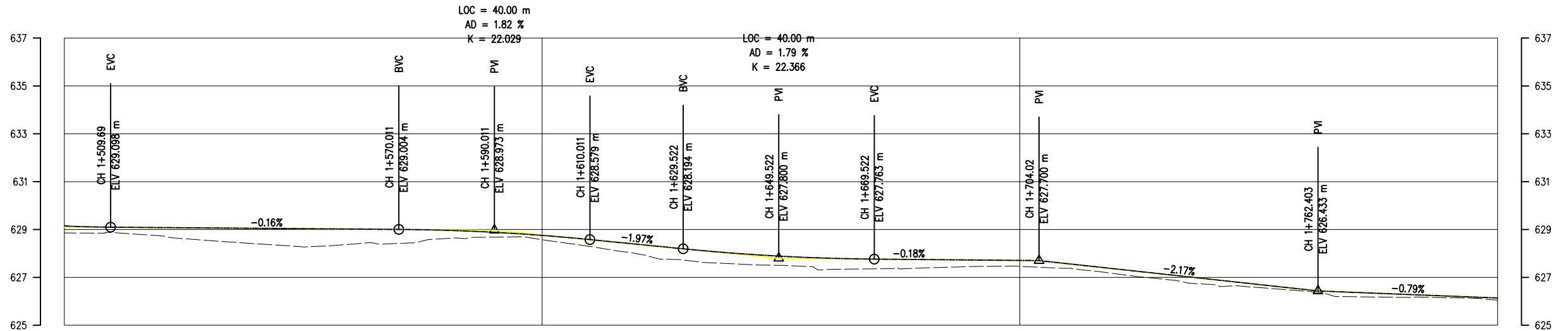


HORIZONTAL ALIGNMENT	RIGHT		LEFT		IP-18 R=100.00		IP-19 R=243.00					IP-20 R=80.00					IP-21 R=134.00					IP-22 R=100.00									
	CH	ELV	CH	ELV	CH	ELV	CH	ELV	CH	ELV	CH	ELV	CH	ELV	CH	ELV	CH	ELV	CH	ELV	CH	ELV									
DESIGN LEVEL(m)	630.661	630.628	630.595	630.561	630.528	630.494	630.453	630.405	630.348	630.284	630.212	630.132	630.048	629.963	629.879	629.795	629.710	629.626	629.542	629.462	629.445	629.505	629.581	629.658	629.734	629.807	629.802	629.690	629.477	629.275	629.148
EXISTING LEVEL(m)	630.265	630.315	630.260	630.106	629.998	630.040	630.061	630.084	630.041	629.847	629.610	629.527	629.444	629.427	629.462	629.480	629.441	629.424	629.341	629.232	629.193	629.158	629.189	629.203	629.271	629.481	629.582	629.195	629.021	628.780	628.857
CHAINAGE(Km)	1+200	1+210	1+220	1+230	1+240	1+250	1+260	1+270	1+280	1+290	1+300	1+310	1+320	1+330	1+340	1+350	1+360	1+370	1+380	1+390	1+400	1+410	1+420	1+430	1+440	1+450	1+460	1+470	1+480	1+490	1+500

Government of Nepal Ministry of Federal Affairs and General Administration Department of Local Infrastructure (DoLI) Rural Connectivity Improvement Project-phase 2 (DoLI/RCIP/DPR-04/2019)	CONSULTANT: ITECO - INCLUSIVE JV Sitapaila Chowk, Ring Road	ROAD NAME : Bijauri-Basdabara-Jmuni-Laxmipur- Dakchin-Kurariya-Kanjawar-Kothari Road Dang District	DATE	REVISION	SIGNATURE	DESIGNED BY :	SCALE 	Plan & Profile 1+200-1+500	DATE: March 2022 DRG NO : RCIP2/DNG/BBJ/PP SHEET NO : 5
						DRAWN BY :			
						CHECKED BY :			
						APPROVED BY :			



IP No.	CO-ORDINATES(m)		WCB (D-M-S)	DIST. (m)	DEF. ANG. (D-M-S)	TAN. LEN. (m)	SIMPLE CURVE DATA			CHANNAGE			
	EASTING	NORTHING					R (m)	E (m)	LC (m)	BC	MC	EC	IP
22	630208.366	3109749.148	237-25-35.24	77.193	18-25-38.08	16.221	100.000	1.307	32.162	1+493.345	1+509.426	1+525.507	1+509.566
23	630146.232	3109709.452	210-30-58.37	73.732	26-54-36.87	28.710	120.000	3.387	56.361	1+554.308	1+582.488	1+610.668	1+583.018
24	630107.289	3109643.382	252-00-15.16	76.693	41-29-16.80	23.482	62.000	4.298	44.894	1+635.169	1+657.816	1+680.064	1+656.852
25	630058.397	3109627.500	222-46-47.45	51.407	29-13-27.72	7.821	30.000	1.003	15.302	1+700.167	1+707.818	1+715.469	1+707.988
26	630037.855	3109605.301	309-27-14.57	30.245	86-40-27.12	18.872	20.000	7.488	30.255	1+719.021	1+734.149	1+749.276	1+737.893
27	629999.778	3109636.638	272-00-59.13	49.314	37-26-15.44	23.719	70.000	3.909	45.739	1+755.999	1+778.869	1+801.738	1+778.719



HORIZONTAL ALIGNMENT	RIGHT																														
	LEFT																														
DESIGN LEVEL(m)	629.148	629.097	629.082	629.066	629.051	629.035	629.020	629.004	628.966	628.882	628.753	628.579	628.382	628.185	628.012	627.884	627.801	627.763	627.744	627.726	627.708	627.571	627.353	627.136	626.919	626.702	626.485	626.373	626.294	626.215	626.137
EXISTING LEVEL(m)	628.857	628.873	628.736	628.542	628.406	628.269	628.384	628.419	628.626	628.680	628.573	628.292	627.979	627.713	627.568	627.502	627.334	627.358	627.394	627.453	627.459	627.380	627.152	626.925	626.704	626.574	626.417	626.191	626.163	626.149	626.051
CHAINAGE(Km)	1+500	1+510	1+520	1+530	1+540	1+550	1+560	1+570	1+580	1+590	1+600	1+610	1+620	1+630	1+640	1+650	1+660	1+670	1+680	1+690	1+700	1+710	1+720	1+730	1+740	1+750	1+760	1+770	1+780	1+790	1+800

Government of Nepal
Ministry of Federal Affairs and General Administration
Department of Local Infrastructure (DoLI)
Rural Connectivity Improvement Project-phase 2
(DoLI/RCIP/DPR-04/2019)

CONSULTANT:
ITECO - INCLUSIVE JV
Sitapaila Chowk, Ring Road

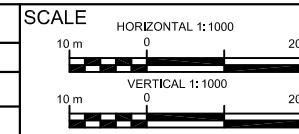
ROAD NAME:
Bijauri-Basdabara-Jmuni-Laxmipur-
Dakchin-Kurariya-Kanjawar-Kothari
Road
Dang District

DATE

REVISION

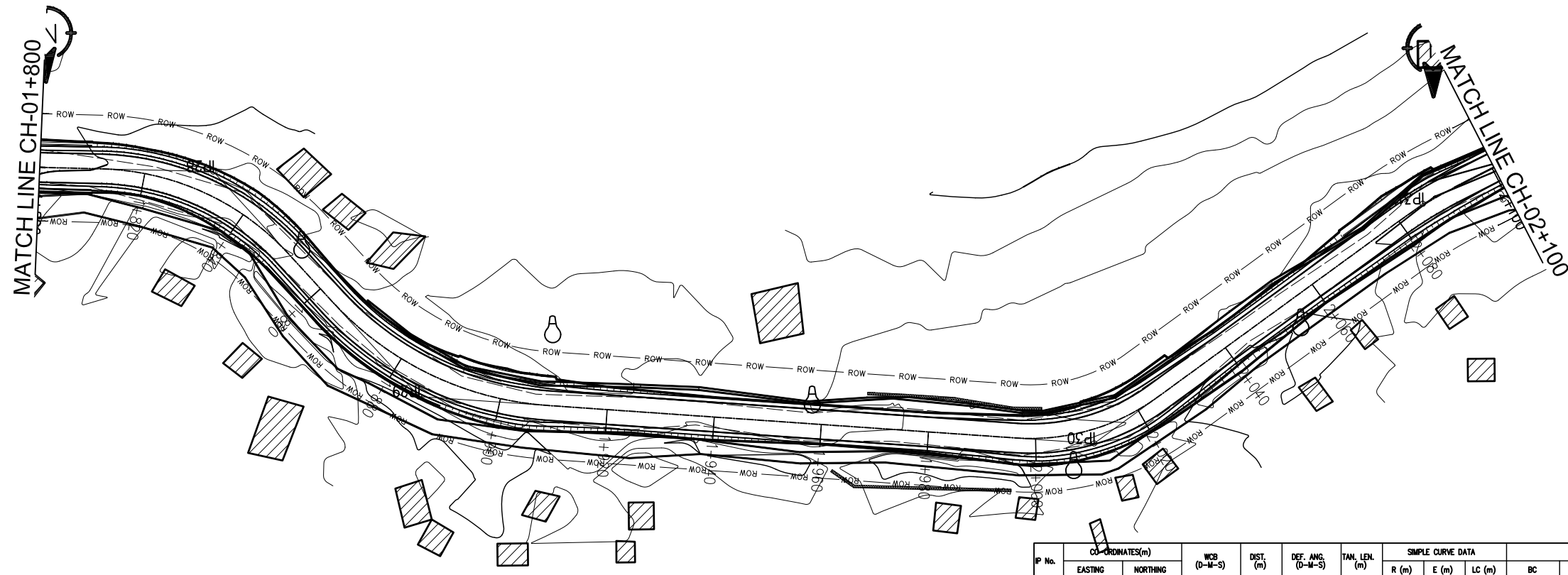
SIGNATURE

DESIGNED BY :
DRAWN BY :
CHECKED BY :
APPROVED BY :

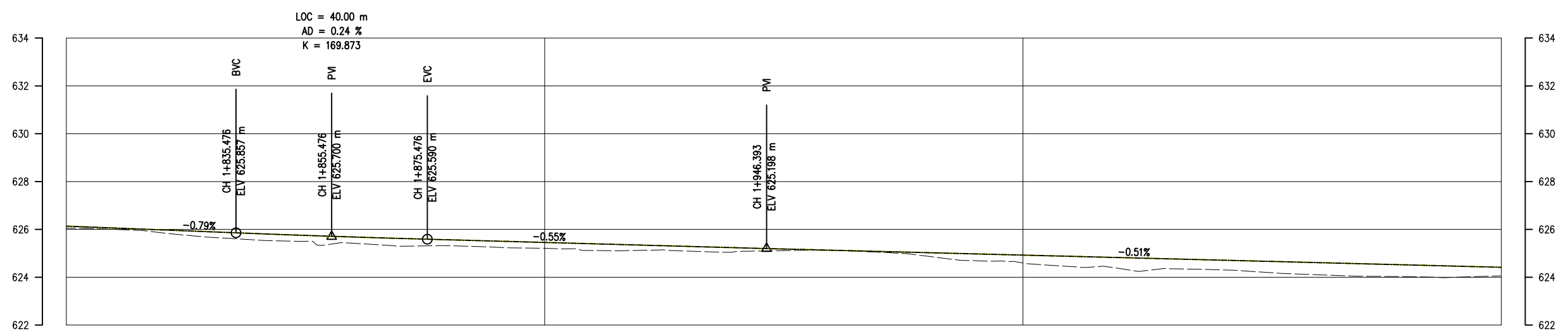


Plan & Profile
1+500-1+800

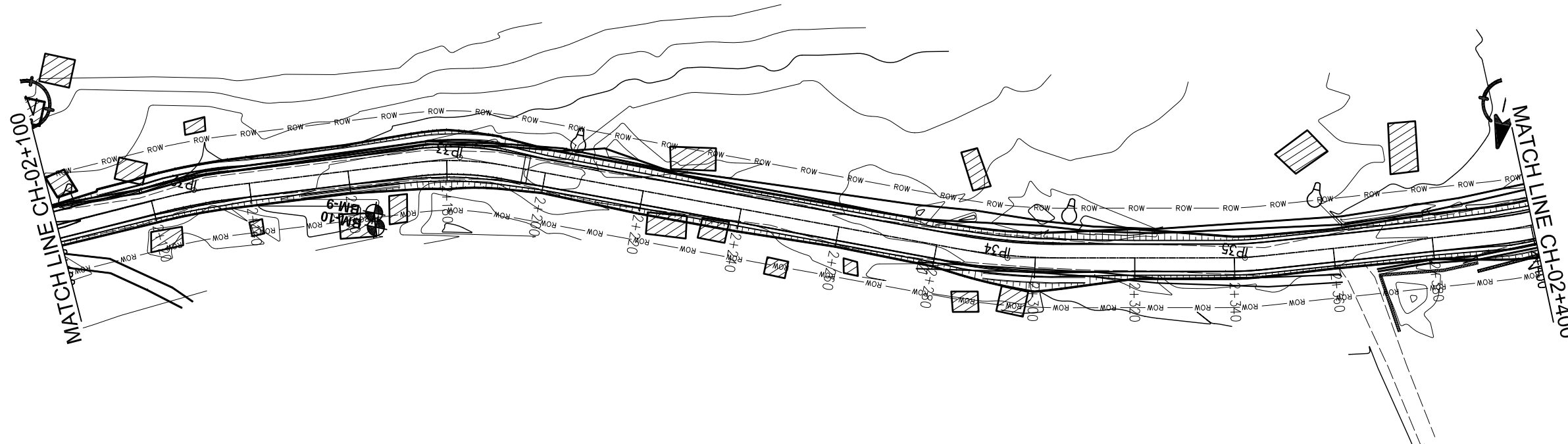
DATE: March 2022
DRG NO : RCIP2/DNG/BBJ/PP
SHEET NO : 6



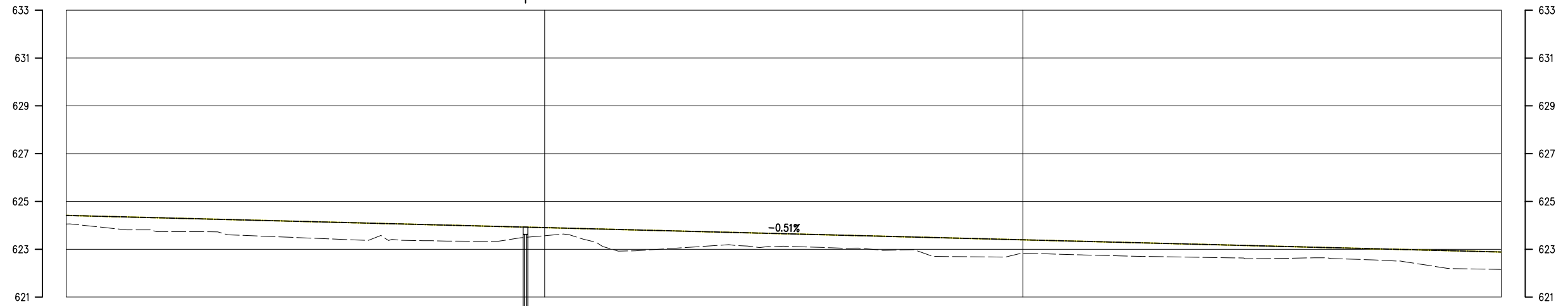
IP No.	CO-ORDINATES(m)		WCB (D-M-S)	DIST. (m)	DEF. ANG. (D-M-S)	TAN. LEN. (m)	SIMPLE CURVE DATA			CHANNAGE			
	EASTING	NORTHING					R (m)	E (m)	LC (m)	BC	MC	EC	IP
27	629999.778	3109636.638	272-00-59.13	49.314	37-26-15.44	23.719	70.000	3.909	45.739	1+775.999	1+778.869	1+801.738	1+779.719
28	629945.131	3109638.562	318-11-37.23	54.681	46-10-38.10	20.889	49.000	4.267	39.491	1+811.811	1+831.556	1+851.302	1+832.700
29	629907.280	3109680.909	274-37-0.04	56.811	43-34-37.19	23.984	60.000	4.616	45.634	1+863.240	1+886.057	1+908.874	1+887.224
30	629781.627	3109691.054	234-32-18.69	126.042	40-04-41.35	14.590	40.000	2.578	27.980	1+996.342	2+010.331	2+024.321	2+010.831
31	629719.904	3109647.090	243-32-11.96	75.780	08-59-53.27	6.295	80.000	0.247	12.564	2+079.217	2+085.498	2+091.780	2+085.511



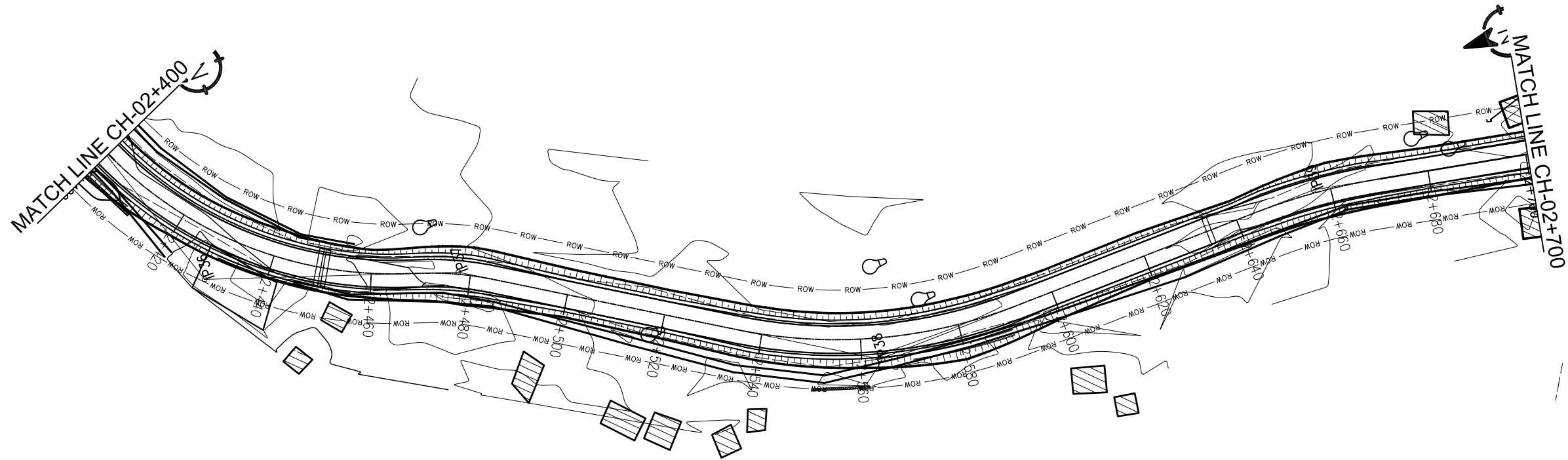
HORIZONTAL ALIGNMENT	RIGHT																						LEFT								
	IP-27 R=70.00	IP-28 R=49.00																					IP-29 R=60.00	IP-30 R=40.00	IP-31 R=80.00						
DESIGN LEVEL(m)	626.137	626.058	625.979	625.901	625.822	625.749	625.682	625.621	625.565	625.510	625.454	625.399	625.344	625.289	625.234	625.180	625.129	625.078	625.027	624.976	624.925	624.874	624.823	624.772	624.721	624.670	624.619	624.568	624.517	624.466	624.415
EXISTING LEVEL(m)	626.051	626.006	625.856	625.672	625.552	625.502	625.421	625.295	625.315	625.252	625.211	625.116	625.123	625.093	625.073	625.113	625.119	625.043	624.877	624.692	624.594	624.444	624.371	624.361	624.316	624.214	624.116	624.045	624.026	623.995	624.059
CHAINAGE(Km)	1+800	1+810	1+820	1+830	1+840	1+850	1+860	1+870	1+880	1+890	1+900	1+910	1+920	1+930	1+940	1+950	1+960	1+970	1+980	1+990	2+000	2+010	2+020	2+030	2+040	2+050	2+060	2+070	2+080	2+090	2+100



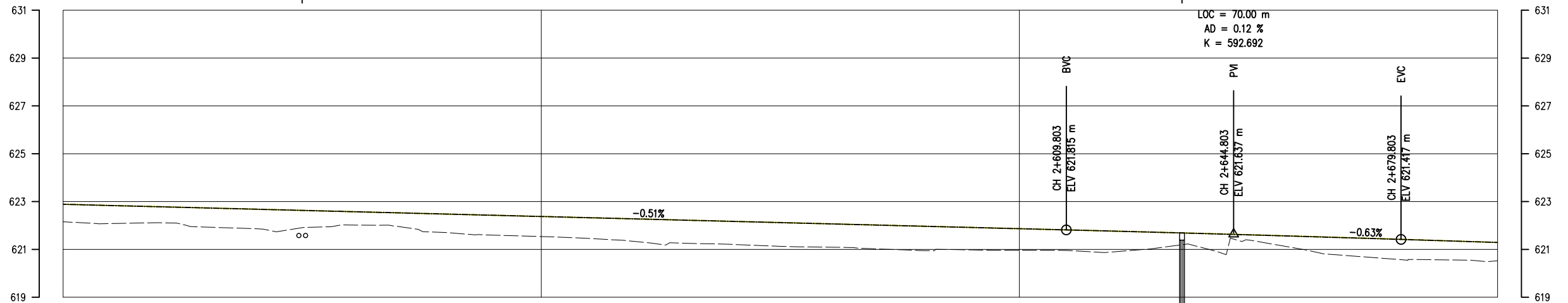
IP No.	CO-ORDINATES(m)		WCB (D-M-S)	DIST. (m)	DEF. ANG. (D-M-S)	TAN. LEN. (m)	SIMPLE CURVE DATA			CHAINAGE			
	EASTING	NORTHING					R (m)	E (m)	LC (m)	BC	MC	EC	IP
31	629719.904	3109647.090	243-32-11.98	75.780	08-59-53.27	6.295	80.000	0.247	12.564	2+079.217	2+085.498	2+091.780	2+085.511
32	629681.112	3109627.780	250-45-12.48	43.332	07-13-03.53	7.567	120.000	0.238	15.115	2+121.250	2+128.808	2+136.365	2+128.818
33	629630.251	3109610.022	268-14-5.93	53.872	17-28-53.44	9.225	60.000	0.705	18.307	2+173.445	2+182.598	2+191.751	2+182.670
34	629518.356	3109606.574	257-46-44.83	111.946	10-27-21.10	10.980	120.000	0.501	21.899	2+283.483	2+294.442	2+305.391	2+294.473
35	629471.689	3109596.466	251-42-13.88	47.751	06-04-30.95	4.245	80.000	0.113	8.483	2+337.917	2+342.159	2+348.400	2+342.163
36	629386.174	3109568.191	198-28-4.54	90.068	53-16-8.33	40.122	80.000	9.497	74.378	2+382.101	2+428.290	2+466.479	2+432.223



HORIZONTAL ALIGNMENT	RIGHT		CHAINAGE(Km)																														
	LEFT	RIGHT	2+100	2+110	2+120	2+130	2+140	2+150	2+160	2+170	2+180	2+190	2+200	2+210	2+220	2+230	2+240	2+250	2+260	2+270	2+280	2+290	2+300	2+310	2+320	2+330	2+340	2+350	2+360	2+370	2+380	2+390	2+400
DESIGN LEVEL(m)			624.415	624.364	624.313	624.262	624.211	624.160	624.109	624.058	624.007	623.956	623.905	623.854	623.803	623.752	623.701	623.650	623.599	623.548	623.497	623.446	623.395	623.344	623.293	623.242	623.191	623.140	623.089	623.038	622.987	622.936	622.885
EXISTING LEVEL(m)			624.059	623.865	623.737	623.732	623.556	623.475	623.393	623.376	623.342	623.331	623.567	623.328	622.948	623.079	623.158	623.130	623.062	622.967	622.784	622.685	622.632	622.778	622.725	622.685	622.652	622.611	622.639	622.577	622.471	622.191	622.155



IP No.	CO-ORDINATES(m)		WCB (D-M-S)	DST. (m)	DEF. ANG. (D-M-S)	TAN. LEN. (m)	SIMPLE CURVE DATA			CHAINAGE			
	EASTING	NORTHING					R (m)	E (m)	LC (m)	BC	MC	EC	IP
36	629366.174	3109568.191	198-28-4.54	90.068	53-16-9.33	40.122	80.000	9.497	74.378	2+392.101	2+429.290	2+466.479	2+432.223
37	629369.968	3109519.572	211-41-55.21	51.249	13-15-50.67	6.976	60.000	0.404	13.690	2+470.630	2+477.576	2+484.521	2+477.607
38	629324.385	3109445.763	178-44-28.81	86.750	32-57-28.40	29.581	100.000	4.284	57.522	2+534.713	2+563.474	2+592.235	2+564.294
39	629328.451	3109351.773	190-34-1.92	94.013	11-49-35.11	12.429	120.000	0.642	24.769	2+644.238	2+656.623	2+669.007	2+656.667
40	629316.521	3109298.544	202-28-47.18	54.147	11-54-45.28	6.260	60.000	0.326	12.475	2+704.466	2+710.703	2+716.941	2+710.728



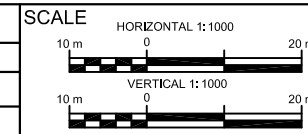
HORIZONTAL ALIGNMENT	RIGHT																														
	LEFT																														
DESIGN LEVEL(m)	622.885	622.834	622.783	622.732	622.681	622.630	622.579	622.528	622.477	622.426	622.375	622.324	622.273	622.222	622.171	622.120	622.069	622.018	621.967	621.916	621.865	621.814	621.763	621.709	621.654	621.597	621.538	621.478	621.416	621.353	621.290
EXISTING LEVEL(m)	622.155	622.081	622.115	621.932	621.866	621.906	622.019	621.961	621.706	621.596	621.537	621.457	621.324	621.256	621.208	621.128	621.093	621.022	620.948	620.978	620.963	620.957	620.901	621.090	620.981	621.323	620.973	620.718	620.567	620.560	620.526
CHAINAGE(Km)	2+400	2+410	2+420	2+430	2+440	2+450	2+460	2+470	2+480	2+490	2+500	2+510	2+520	2+530	2+540	2+550	2+560	2+570	2+580	2+590	2+600	2+610	2+620	2+630	2+640	2+650	2+660	2+670	2+680	2+690	2+700

Government of Nepal
 Ministry of Federal Affairs and General Administration
 Department of Local Infrastructure (DoLI)
Rural Connectivity Improvement Project-phase 2
 (DoLI/RCIP/DPR-04/2019)

CONSULTANT:
ITECO - INCLUSIVE JV
 Sitapaila Chowk, Ring Road

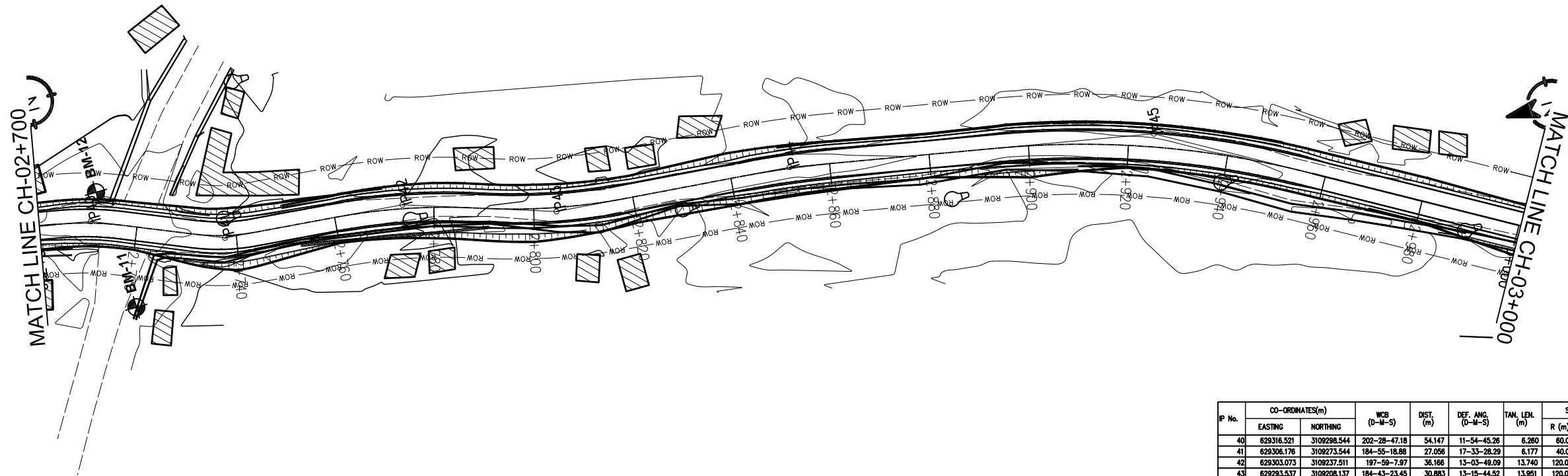
ROAD NAME :
 Bijauri-Basdabara-Jmuni-Laxmipur-
 Dakchin-Kurariya-Kanjawar-Kothari
 Road
 Dang District

DATE
 REVISION
 SIGNATURE
 DESIGNED BY :
 DRAWN BY :
 CHECKED BY :
 APPROVED BY :

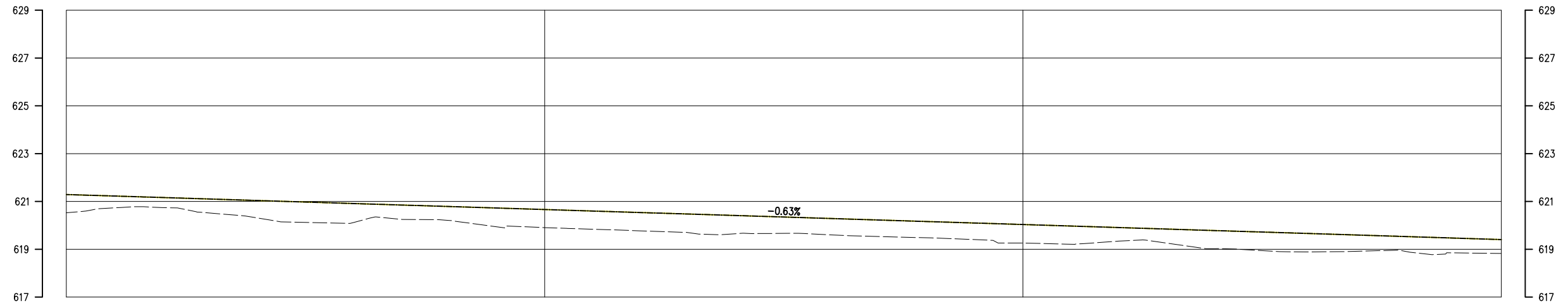


Plan & Profile
2+400-2+700

DATE: March 2022
 DRG NO : RCIP2/DNG/BBJ/PP
 SHEET NO : **9**

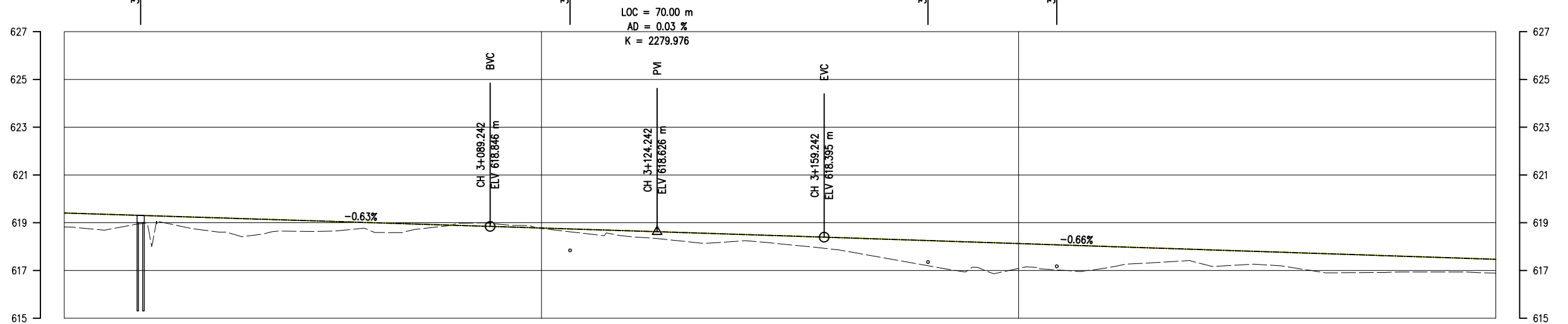
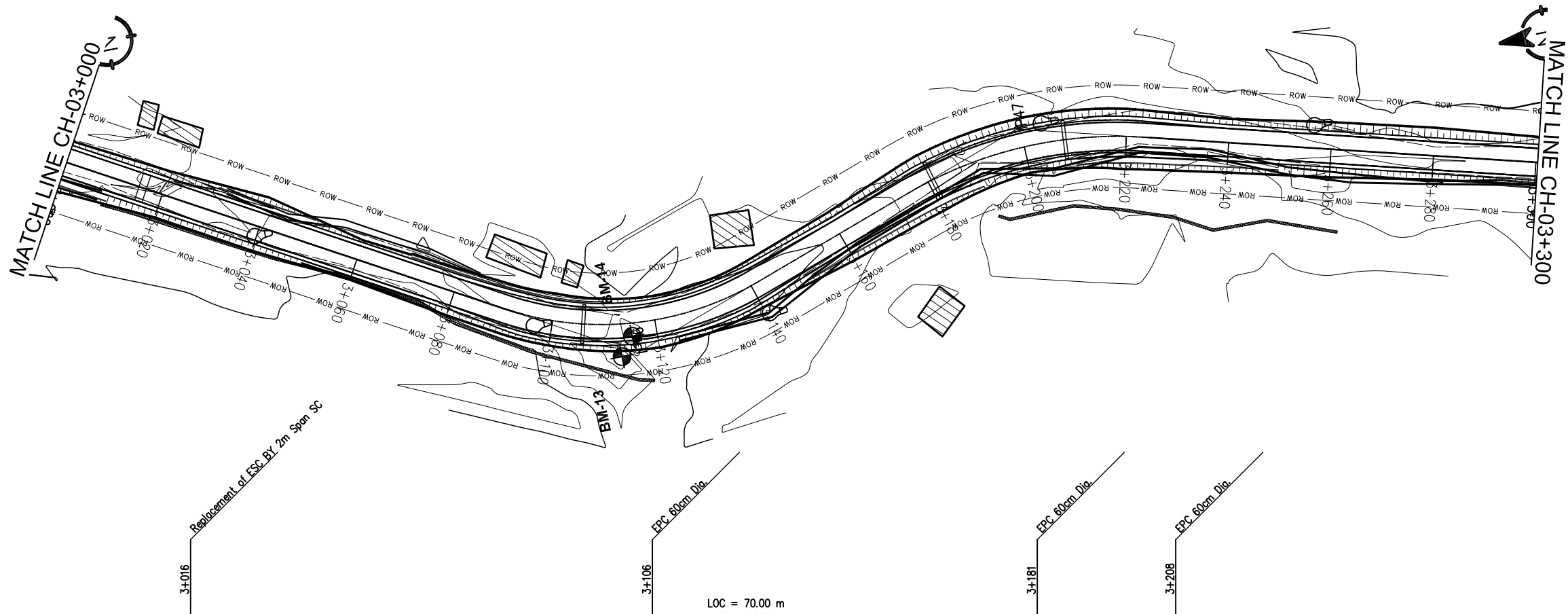


IP No.	CO-ORDINATES(m)		WCB (D-M-S)	DIST. (m)	DEF. ANG. (D-M-S)	TAN. LEN. (m)	SIMPLE CURVE DATA			CHANNAGE			
	EASTING	NORTHING					R (m)	E (m)	LC (m)	BC	MC	EC	IP
40	629316.521	3109298.544	202-28-47.18	54.147	11-54-45.28	6.260	60.000	0.326	12.475	2+704.466	2+710.703	2+716.941	2+717.726
41	629306.176	3109273.544	184-55-18.88	27.056	17-33-28.29	6.177	40.000	0.474	12.258	2+731.559	2+737.688	2+743.617	2+737.736
42	629303.073	3109237.511	187-59-7.97	36.166	13-03-49.09	13.740	120.000	0.784	27.360	2+760.066	2+773.746	2+787.427	2+773.808
43	629283.537	3109208.137	184-43-23.45	30.883	13-15-44.52	13.951	120.000	0.808	27.777	2+790.619	2+804.508	2+818.396	2+804.570
44	629289.625	3109160.789	190-13-33.20	47.509	05-30-9.75	9.611	200.000	0.231	19.208	2+842.343	2+851.947	2+861.551	2+851.955
45	629276.616	3109086.675	209-32-43.30	73.278	19-19-10.10	31.319	184.000	2.646	62.043	2+893.899	2+924.921	2+955.942	2+925.218



HORIZONTAL ALIGNMENT	RIGHT		LEFT		IP-40 R=60.00		IP-41 R=40.00		IP-42 R=120.00		IP-43 R=120.00		IP-44 R=200.00		IP-45 R=184.00																
	RIGHT	LEFT	RIGHT	LEFT	RIGHT	LEFT	RIGHT	LEFT	RIGHT	LEFT	RIGHT	LEFT	RIGHT	LEFT	RIGHT	LEFT															
DESIGN LEVEL(m)	621.290	621.228	621.165	621.102	621.039	620.976	620.914	620.851	620.788	620.725	620.662	620.600	620.537	620.474	620.411	620.348	620.286	620.223	620.160	620.097	620.034	619.971	619.909	619.846	619.783	619.720	619.657	619.595	619.532	619.469	619.406
EXISTING LEVEL(m)	620.526	620.731	620.742	620.517	620.309	620.123	620.117	620.251	620.207	619.939	619.905	619.839	619.770	619.698	619.652	619.664	619.601	619.532	619.481	619.403	619.260	619.210	619.340	619.257	619.024	618.942	618.889	618.918	618.911	618.850	618.824
CHAINAGE(Km)	2+700	2+710	2+720	2+730	2+740	2+750	2+760	2+770	2+780	2+790	2+800	2+810	2+820	2+830	2+840	2+850	2+860	2+870	2+880	2+890	2+900	2+910	2+920	2+930	2+940	2+950	2+960	2+970	2+980	2+990	3+000

IP No.	CO-ORDINATES(m)		WCB (D-M-S)	DIST. (m)	DEF. ANG. (D-M-S)	TAN. LEN. (m)	SIMPLE CURVE DATA			CHAINAGE			
	EASTING	NORTHING					R (m)	E (m)	LC (m)	BC	MC	EC	IP
45	629276.616	3109088.675	209-32-43.30	73.278	19-19-10.10	31.319	184.000	2.646	62.043	2+893.899	2+924.921	2+955.942	2+925.218
46	629181.471	3108920.817	160-32-38.87	192.948	49-00-4.43	27.344	80.000	5.937	51.314	3+090.227	3+115.884	3+141.541	3+117.571
47	629210.063	3108836.821	194-43-10.81	85.901	34-10-31.94	24.593	80.000	3.685	47.718	3+175.505	3+199.364	3+223.223	3+200.087
48	629173.023	3108698.754	163-19-59.08	145.854	31-23-11.75	22.477	80.000	3.088	43.824	3+322.007	3+343.919	3+365.831	3+344.484



HORIZONTAL ALIGNMENT	RIGHT		LEFT																												
	RIGHT	LEFT																													
DESIGN LEVEL(m)	619.406	619.343	619.281	619.218	619.155	619.092	619.029	618.967	618.904	618.841	618.778	618.714	618.651	618.586	618.521	618.456	618.390	618.325	618.259	618.193	618.127	618.061	617.995	617.929	617.863	617.798	617.732	617.666	617.600	617.534	617.468
EXISTING LEVEL(m)	618.824	618.747	619.039	618.669	618.485	618.639	618.714	618.586	618.863	618.957	618.756	618.528	618.397	618.218	618.208	618.116	617.912	617.589	617.234	617.097	617.087	616.996	617.164	617.345	617.198	617.256	617.037	616.907	616.937	616.934	616.893
CHAINAGE(Km)	3+000	3+010	3+020	3+030	3+040	3+050	3+060	3+070	3+080	3+090	3+100	3+110	3+120	3+130	3+140	3+150	3+160	3+170	3+180	3+190	3+200	3+210	3+220	3+230	3+240	3+250	3+260	3+270	3+280	3+290	3+300

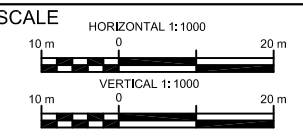
Government of Nepal
 Ministry of Federal Affairs and General Administration
 Department of Local Infrastructure (DoLI)
 Rural Connectivity Improvement Project-phase 2
 (DoLI/RCIP/DPR-04/2019)

CONSULTANT:
ITECO - INCLUSIVE JV
 Sitapaila Chowk, Ring Road

ROAD NAME:
 Bijauri-Basdabara-Jmuni-Laxmipur-
 Dakchin-Kurariya-Kanjawar-Kothari
 Road
 Dang District

DATE: _____ REVISION: _____ SIGNATURE: _____

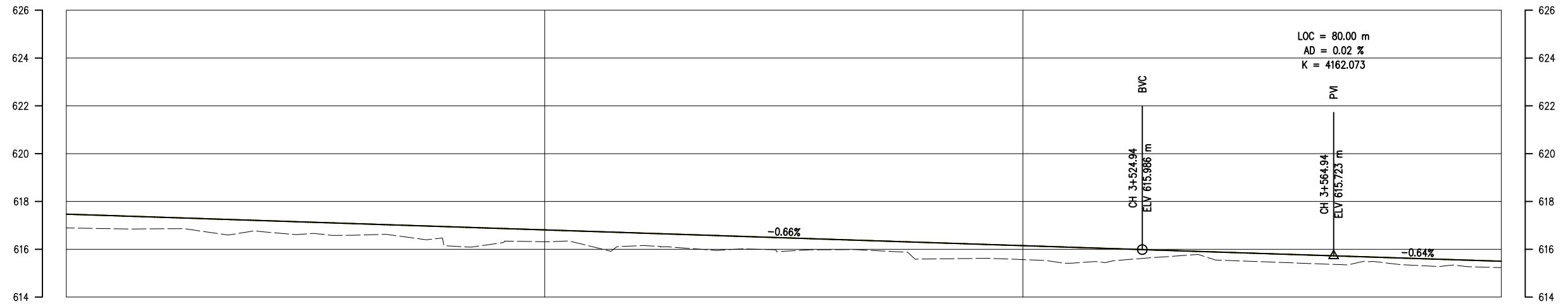
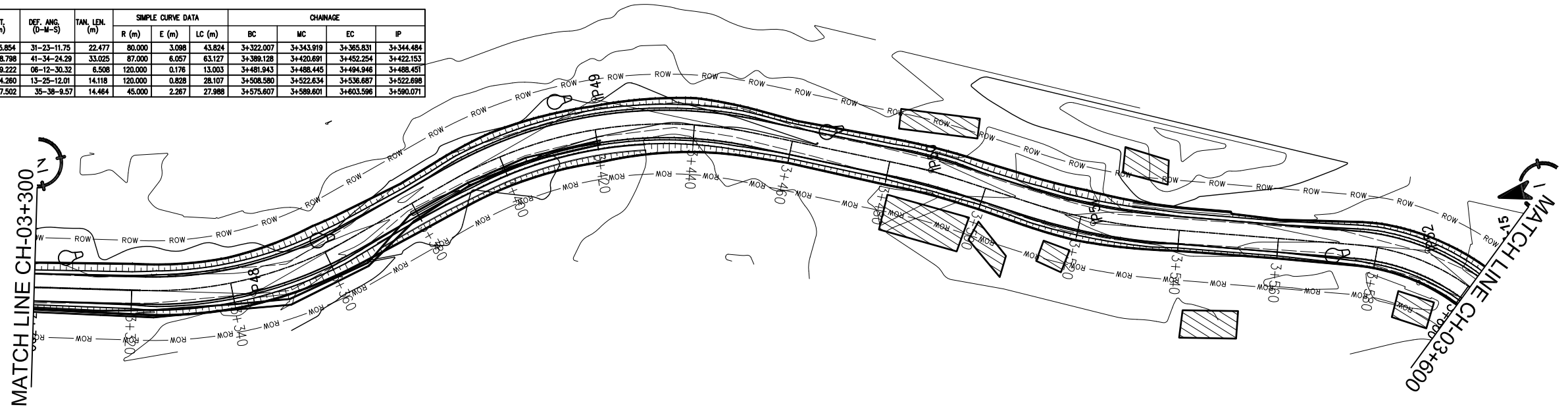
DESIGNED BY : _____
 DRAWN BY : _____
 CHECKED BY : _____
 APPROVED BY : _____



Plan & Profile
 3+000-3+300

DATE: March 2022
 DRG NO : RCIP2/DNG/BBJ/PP
 SHEET NO : 11

IP No.	CO-ORDINATES(m)		WCB (D-M-S)	DIST. (m)	DEF. ANG. (D-M-S)	TAN. LEN. (m)	SIMPLE CURVE DATA			CHAINAGE			
	EASTING	NORTHING					R (m)	E (m)	LC (m)	BC	MC	EC	IP
48	629173.023	3108698.754	163-19-58.06	145.854	31-23-11.75	22.477	80.000	3.098	43.824	3+322.007	3+343.919	3+365.831	3+344.484
49	629195.623	3108623.286	204-54-23.35	78.798	41-34-24.29	33.025	87.000	6.057	63.127	3+389.128	3+420.691	3+452.254	3+422.153
50	629186.471	3108560.482	211-08-53.86	69.222	06-12-30.32	6.506	120.000	0.176	13.003	3+481.943	3+488.445	3+494.946	3+488.451
51	629148.767	3108531.151	197-41-41.86	34.280	13-25-12.01	14.118	120.000	0.828	28.107	3+508.580	3+522.834	3+536.687	3+522.698
52	629128.250	3108466.843	233-19-51.23	67.502	35-38-9.57	14.484	45.000	2.267	27.988	3+575.607	3+589.601	3+603.596	3+589.071



HORIZONTAL ALIGNMENT	RIGHT		LEFT		IP-48 R=80.00		IP-49 R=87.00				IP-50 R=120.00				IP-51 R=120.00				IP-52 R=45.00												
	RIGHT	LEFT	RIGHT	LEFT	RIGHT	LEFT	RIGHT	LEFT	RIGHT	LEFT	RIGHT	LEFT	RIGHT	LEFT	RIGHT	LEFT	RIGHT	LEFT													
DESIGN LEVEL(m)	617.468	617.402	617.336	617.271	617.205	617.139	617.073	617.007	616.941	616.875	616.810	616.744	616.678	616.612	616.546	616.480	616.414	616.348	616.283	616.217	616.151	616.085	616.019	615.953	615.888	615.822	615.757	615.692	615.627	615.563	615.499
EXISTING LEVEL(m)	616.893	616.858	616.859	616.706	616.756	616.640	616.587	616.539	616.137	616.241	616.314	616.107	616.150	616.038	616.002	615.914	615.981	615.933	615.594	615.615	615.568	615.419	615.538	615.688	615.565	615.478	615.404	615.439	615.346	615.340	615.232
CHAINAGE(Km)	3+300	3+310	3+320	3+330	3+340	3+350	3+360	3+370	3+380	3+390	3+400	3+410	3+420	3+430	3+440	3+450	3+460	3+470	3+480	3+490	3+500	3+510	3+520	3+530	3+540	3+550	3+560	3+570	3+580	3+590	3+600

Government of Nepal
 Ministry of Federal Affairs and General Administration
 Department of Local Infrastructure (DoLI)
Rural Connectivity Improvement Project-phase 2
 (DoLI/RCIP/DPR-04/2019)

CONSULTANT:
ITECO - INCLUSIVE JV
 Sitapaila Chowk, Ring Road

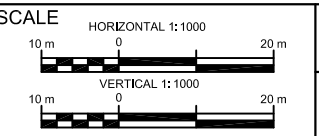
ROAD NAME :
 Bijauri-Basdabara-Jmuni-Laxmipur-
 Dakchin-Kurariya-Kanjawar-Kothari
 Road
 Dang District

DATE

REVISION

SIGNATURE

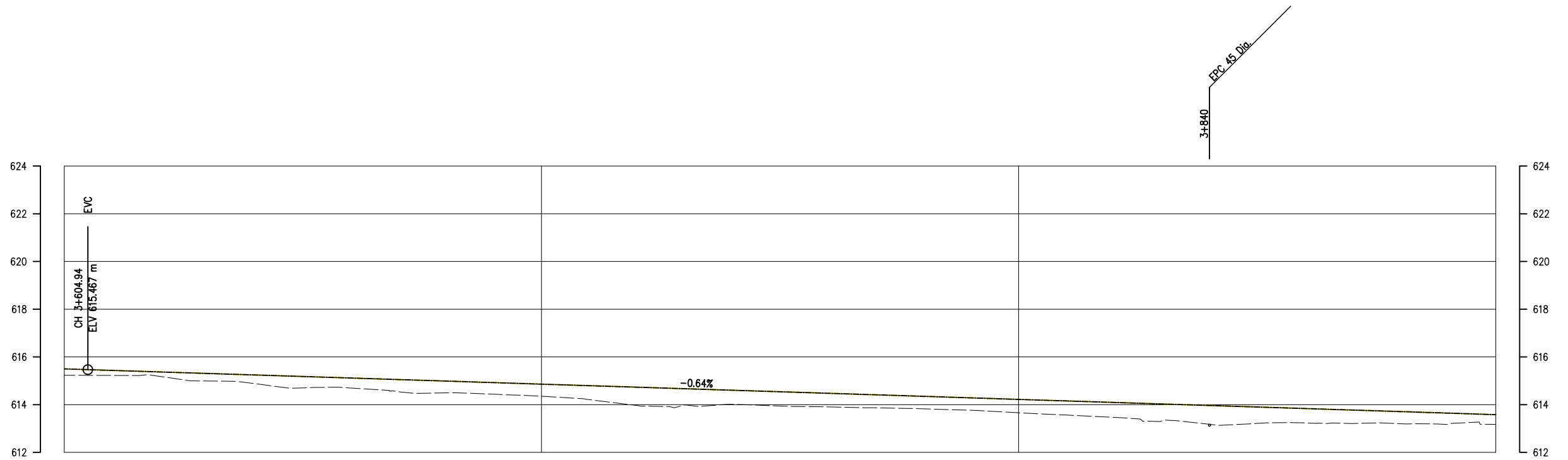
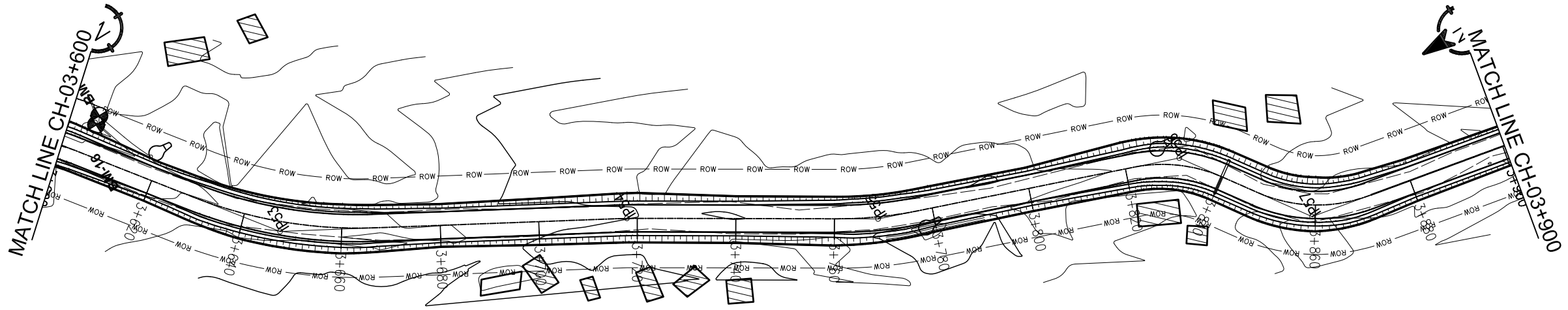
DESIGNED BY :
 DRAWN BY :
 CHECKED BY :
 APPROVED BY :



Plan & Profile
3+300-3+600

DATE: March 2022
 DRG NO : RCIIP2/DNG/BBJ/PP
 SHEET NO : **12**

IP No.	CO-ORDINATES(m)		WCB (D-M-S)	DIST. (m)	DEF. ANG. (D-M-S)	TAN. LEN. (m)	SIMPLE CURVE DATA			CHAINAGE			
	EASTING	NORTHING					R (m)	E (m)	LC (m)	BC	MC	EC	IP
52	629128.250	3108486.843	233-19-51.23	67.502	35-38-9.57	14.484	45.000	2.287	27.988	3+575.607	3+588.601	3+603.596	3+590.071
53	629081.010	3108431.671	209-38-24.48	58.896	23-41-26.77	19.296	92.000	2.002	38.040	3+628.732	3+647.752	3+666.772	3+648.028
54	629046.184	3108370.466	211-55-34.08	70.419	02-17-9.82	2.394	120.000	0.024	4.788	3+715.502	3+717.895	3+720.289	3+717.896
55	629019.234	3108327.213	200-23-22.04	50.982	11-32-12.04	8.081	80.000	0.407	16.108	3+760.776	3+768.830	3+776.884	3+768.857
56	628997.510	3108286.786	235-35-37.85	62.354	35-12-15.62	9.518	30.000	1.474	18.433	3+821.838	3+830.855	3+840.071	3+831.156
57	628973.215	3108252.127	191-33-38.00	29.447	44-01-38.66	12.131	30.000	2.360	23.056	3+847.869	3+859.397	3+870.925	3+860.000
58	628960.820	3108191.533	186-48-12.09	61.849	04-45-28.91	8.308	200.000	0.172	16.607	3+912.335	3+920.638	3+928.941	3+920.643



HORIZONTAL ALIGNMENT	RIGHT LEFT	ELEVATION DATA																														
		IP-52 R=45.00	IP-53 R=92.00																IP-54 R=120.00	IP-55 R=80.00	IP-56 R=30.00	IP-57 R=30.00										
DESIGN LEVEL(m)		615.499	615.435	615.371	615.307	615.243	615.179	615.115	615.051	614.987	614.923	614.859	614.795	614.731	614.667	614.603	614.540	614.476	614.412	614.348	614.284	614.220	614.156	614.092	614.028	613.964	613.900	613.836	613.772	613.708	613.644	613.580
EXISTING LEVEL(m)		615.232	615.224	615.186	614.991	614.880	614.702	614.698	614.543	614.493	614.436	614.352	614.209	613.964	613.985	614.011	613.941	613.905	613.867	613.824	613.762	613.659	613.564	613.466	613.318	613.178	613.214	613.235	613.209	613.199	613.166	613.175
CHAINAGE(Km)		3+600	3+610	3+620	3+630	3+640	3+650	3+660	3+670	3+680	3+690	3+700	3+710	3+720	3+730	3+740	3+750	3+760	3+770	3+780	3+790	3+800	3+810	3+820	3+830	3+840	3+850	3+860	3+870	3+880	3+890	3+900

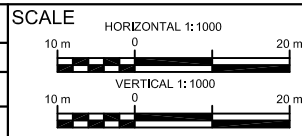
Government of Nepal
Ministry of Federal Affairs and General Administration
Department of Local Infrastructure (DoLI)
Rural Connectivity Improvement Project-phase 2
(DoLI/RCIP/DPR-04/2019)

CONSULTANT:
ITECO - INCLUSIVE JV
Sitapaila Chowk, Ring Road

ROAD NAME :
Bijauri-Basdadbara-Jmuni-Laxmipur-
Dakchin-Kurariya-Kanjawar-Kothari
Road
Dang District

DATE
REVISION
SIGNATURE

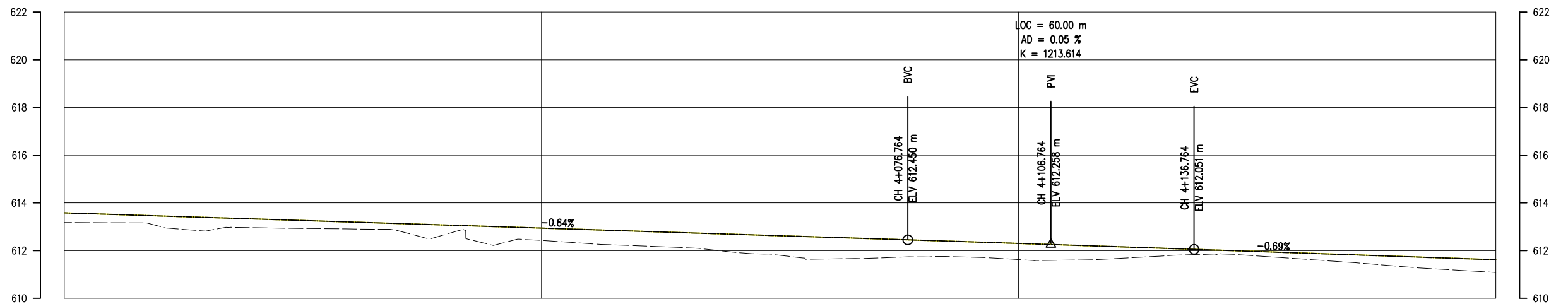
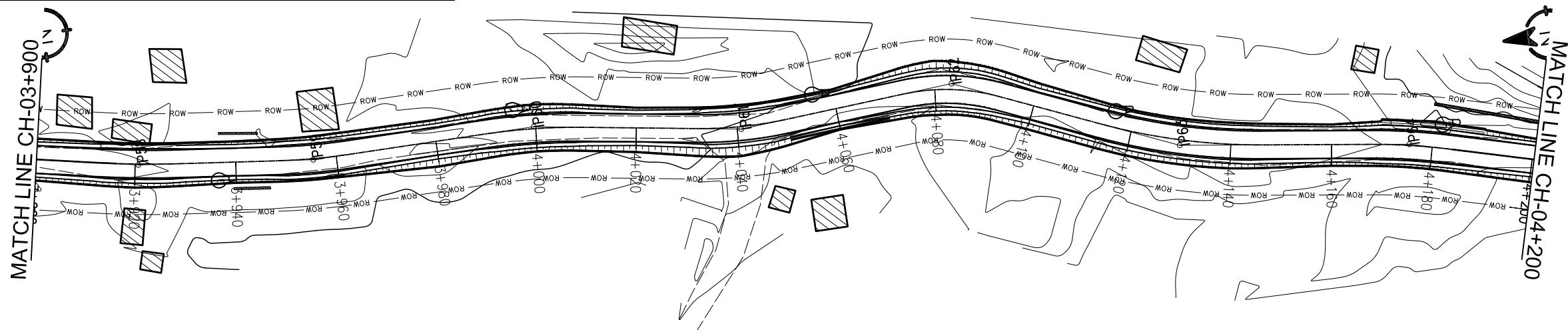
DESIGNED BY :
DRAWN BY :
CHECKED BY :
APPROVED BY :



Plan & Profile
3+600-3+900

DATE: March 2022
DRG NO : RCIIP2/DNG/BBJ/PP
SHEET NO : **13**

IP No.	CO-ORDINATES(m)		WCB (D-M-S)	DIST. (m)	DEF. ANG. (D-M-S)	TAN. LEN. (m)	SIMPLE CURVE DATA			CHAINAGE			
	EASTING	NORTHING					R (m)	E (m)	LC (m)	BC	MC	EC	IP
58	628960.820	3108191.533	186-48-12.09	61.849	04-45-26.91	8.308	200.000	0.172	16.807	3+912.335	3+920.636	3+928.941	3+920.643
59	628956.703	3108157.024	180-00-00.00	34.754	06-48-12.09	7.133	120.000	0.212	14.249	3+948.254	3+955.379	3+962.503	3+955.387
60	628956.703	3108112.715	189-09-38.98	44.309	09-09-39.98	9.614	120.000	0.385	18.187	3+990.065	3+999.659	4+008.252	3+999.679
61	628950.148	3108072.056	178-18-31.84	41.184	12-51-8.04	9.010	80.000	0.506	17.945	4+031.812	4+040.785	4+049.757	4+040.823
62	628952.896	3108029.428	203-36-19.21	42.717	27-17-47.27	9.713	40.000	1.162	18.057	4+073.751	4+083.279	4+092.807	4+083.464
63	628934.098	3107986.412	188-13-50.22	48.944	15-22-29.00	16.198	120.000	1.088	32.201	4+113.841	4+129.941	4+146.042	4+130.039
64	628927.566	3107941.254	185-29-53.30	45.628	07-16-3.08	7.621	120.000	0.242	15.221	4+167.851	4+175.462	4+183.072	4+175.472
65	628913.935	3107892.096	184-08-42.37	51.013	31-23-10.93	16.858	80.000	2.323	32.868	4+209.607	4+228.041	4+242.475	4+228.465



HORIZONTAL ALIGNMENT	RIGHT		IP-58 R=200.00																												IP-59 R=120.00		IP-60 R=120.00				IP-61 R=80.00				IP-62 R=40.00				IP-63 R=120.00				IP-64 R=120.00																																																																																																																																																								
	LEFT	RIGHT	1	2	3	4	5	6	7	8	9	10	11	12	13	14	15	16	17	18	19	20	21	22	23	24	25	26	27	28	29	30	31	32	33	34	35	36	37	38	39	40	41	42	43	44	45	46	47	48	49	50	51	52	53	54	55	56	57	58	59	60	61	62	63	64	65	66	67	68	69	70	71	72	73	74	75	76	77	78	79	80	81	82	83	84	85	86	87	88	89	90	91	92	93	94	95	96	97	98	99	100	101	102	103	104	105	106	107	108	109	110	111	112	113	114	115	116	117	118	119	120	121	122	123	124	125	126	127	128	129	130	131	132	133	134	135	136	137	138	139	140	141	142	143	144	145	146	147	148	149	150	151	152	153	154	155	156	157	158	159	160	161	162	163	164	165	166	167	168	169	170	171	172	173	174	175	176	177	178	179	180	181	182	183	184	185	186	187	188	189	190	191	192	193	194	195	196	197	198	199
DESIGN LEVEL(m)			613.580	613.516	613.452	613.388	613.324	613.261	613.197	613.133	613.069	613.005	612.941	612.877	612.813	612.749	612.685	612.621	612.557	612.493	612.429	612.364	612.299	612.235	612.166	612.098	612.029	611.960	611.891	611.822	611.753	611.685	611.616																																																																																																																																																																								
EXISTING LEVEL(m)			613.175	613.167	613.014	612.831	612.959	612.927	612.904	612.830	612.883	612.219	612.427	612.290	612.201	612.121	611.936	611.803	611.649	611.686	611.738	611.724	611.622	611.599	611.658	611.771	611.821	611.776	611.638	611.500	611.335	611.201	611.080																																																																																																																																																																								
CHAINAGE(Km)			3+900	3+910	3+920	3+930	3+940	3+950	3+960	3+970	3+980	3+990	4+000	4+010	4+020	4+030	4+040	4+050	4+060	4+070	4+080	4+090	4+100	4+110	4+120	4+130	4+140	4+150	4+160	4+170	4+180	4+190	4+200																																																																																																																																																																								

Government of Nepal
 Ministry of Federal Affairs and General Administration
 Department of Local Infrastructure (DoLI)
 Rural Connectivity Improvement Project-phase 2
 (DoLI/RCIP/DPR-04/2019)

CONSULTANT:
ITECO - INCLUSIVE JV
 Sitapaila Chowk, Ring Road

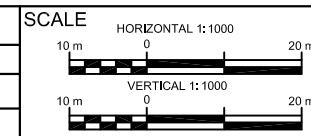
ROAD NAME :
 Bijauri-Basdabara-Jmuni-Laxmipur-
 Dakchin-Kurariya-Kanjawar-Kothari
 Road
 Dang District

DATE

REVISION

SIGNATURE

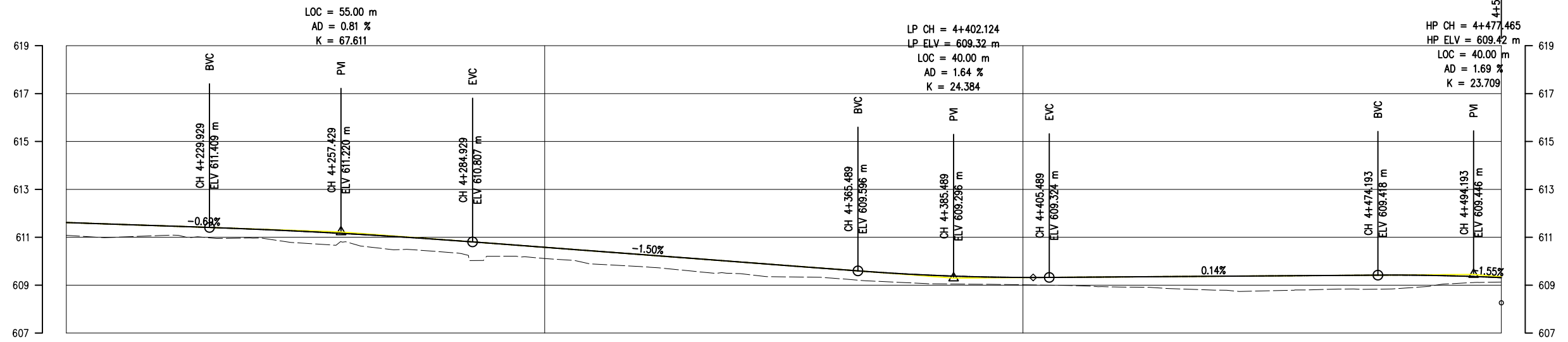
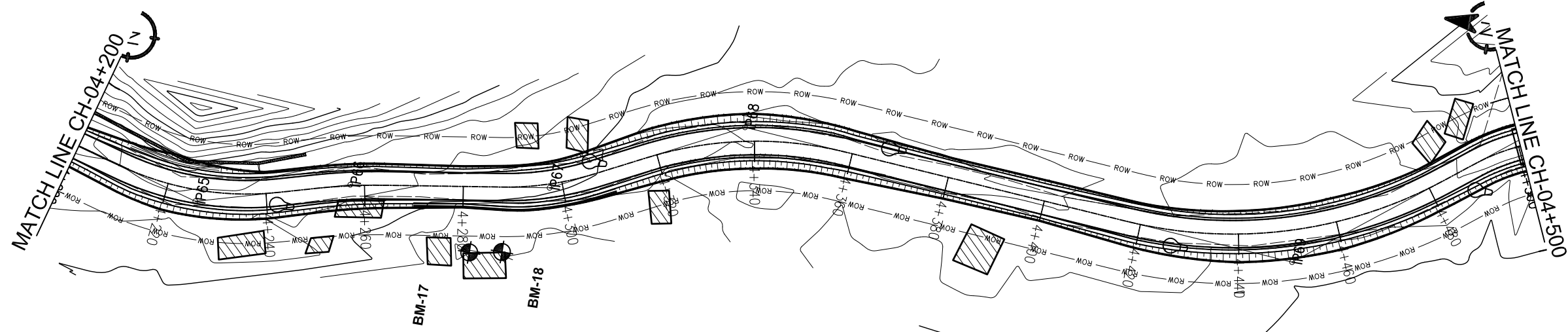
DESIGNED BY :
 DRAWN BY :
 CHECKED BY :
 APPROVED BY :



Plan & Profile
 3+900-4+200

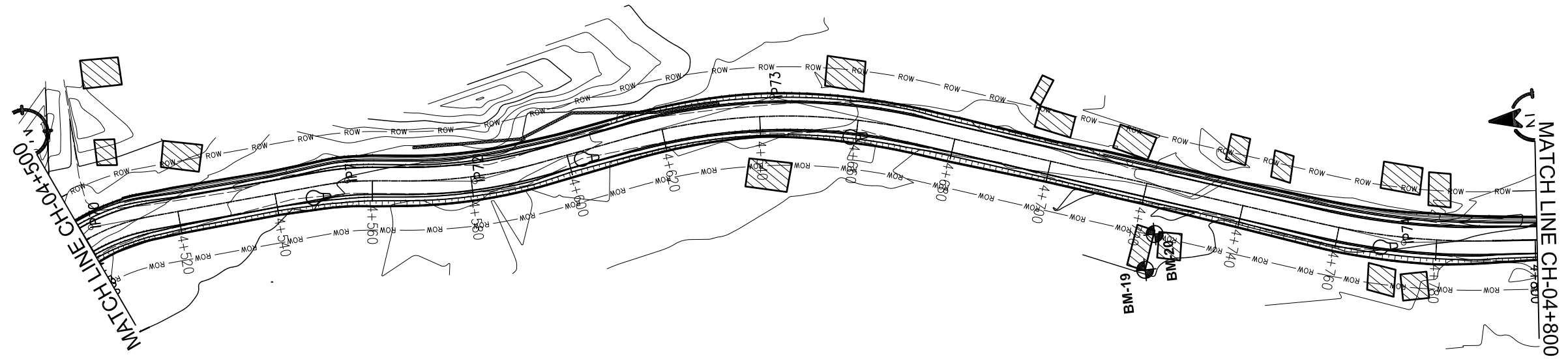
DATE: March 2022
 DRG NO : RCIIP2/DNG/BBJ/PP
 SHEET NO : 14

IP No.	CO-ORDINATES(m)		WCB (D-M-S)	DIST. (m)	DEF. ANG. (D-M-S)	TAN. LEN. (m)	SIMPLE CURVE DATA			CHAINAGE			
	EASTING	NORTHING					R (m)	E (m)	LC (m)	BC	MC	EC	IP
65	628913.935	3107892.096	164-06-42.37	51.013	31-23-10.93	16.858	60.000	2.323	32.868	4+208.607	4+226.041	4+242.475	4+226.465
66	628922.566	3107861.773	171-05-26.67	31.527	06-58-44.30	7.317	120.000	0.223	14.817	4+248.827	4+257.136	4+264.444	4+257.145
67	628928.812	3107821.929	153-02-41.16	40.331	18-02-45.51	9.526	60.000	0.752	18.896	4+287.929	4+297.378	4+306.827	4+297.457
68	628947.566	3107785.051	184-01-4.24	41.373	30-58-23.08	20.780	75.000	2.626	40.544	4+317.892	4+338.164	4+358.435	4+338.672
69	628938.561	3107671.369	142-00-53.08	113.862	42-00-11.16	34.551	90.000	6.404	65.978	4+417.067	4+450.056	4+483.045	4+451.617
70	628972.957	3107628.627	175-42-5.44	54.229	33-41-13.36	12.110	40.000	1.793	23.516	4+490.614	4+502.373	4+514.132	4+502.724

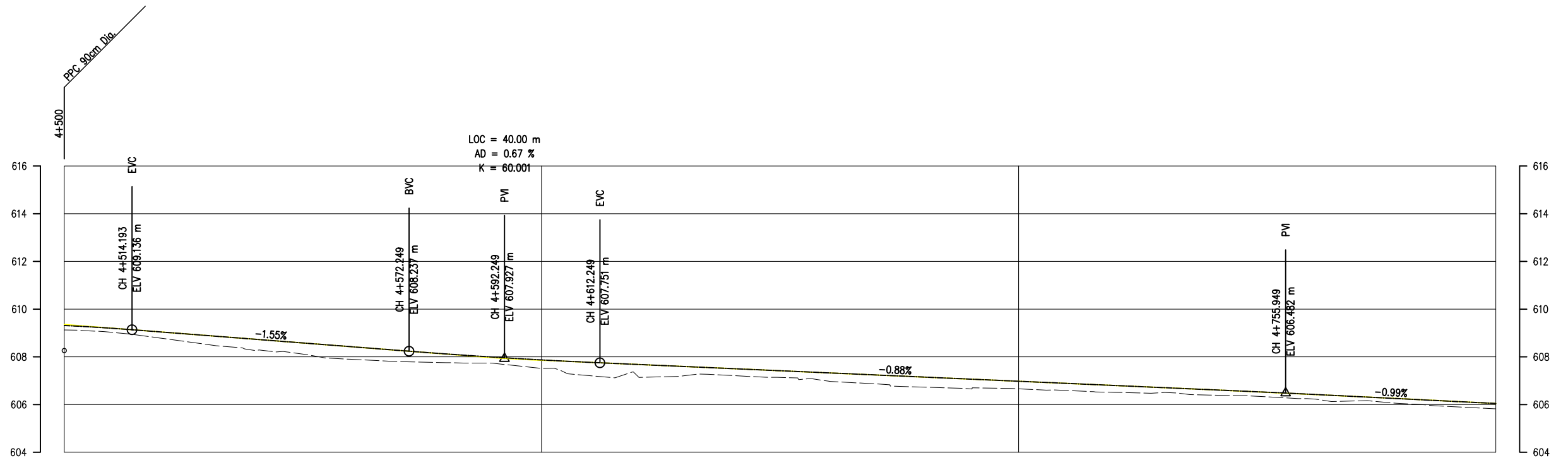


HORIZONTAL ALIGNMENT	RIGHT		LEFT		IP-65 R=60.00	IP-66 R=120.00	IP-67 R=60.00	IP-68 R=75.00	IP-69 R=90.00	IP-70 R=40.00																					
	RIGHT	LEFT	RIGHT	LEFT																											
DESIGN LEVEL(m)	611.616	611.547	611.478	611.409	611.333	611.241	611.135	611.015	610.879	610.731	610.580	610.430	610.280	610.130	609.979	609.829	609.679	609.533	609.422	609.351	609.322	609.330	609.344	609.357	609.371	609.385	609.399	609.413	609.419	609.388	609.314
EXISTING LEVEL(m)	611.080	611.000	611.076	610.976	610.965	610.746	610.722	610.487	610.367	610.206	610.111	609.885	609.777	609.603	609.486	609.349	609.293	609.156	609.062	609.038	609.015	608.983	608.921	608.862	608.793	608.759	608.803	608.832	608.880	609.067	609.128
CHAINAGE(Km)	4+200	4+210	4+220	4+230	4+240	4+250	4+260	4+270	4+280	4+290	4+300	4+310	4+320	4+330	4+340	4+350	4+360	4+370	4+380	4+390	4+400	4+410	4+420	4+430	4+440	4+450	4+460	4+470	4+480	4+490	4+500

Government of Nepal Ministry of Federal Affairs and General Administration Department of Local Infrastructure (DoLI) Rural Connectivity Improvement Project-phase 2 (DoLI/RCIP/DPR-04/2019)	CONSULTANT:	ROAD NAME:	DATE	REVISION	SIGNATURE	DESIGNED BY :	SCALE HORIZONTAL 1:1000 VERTICAL 1:1000 	Plan & Profile 4+200-4+500	DATE: March 2022
	ITECO - INCLUSIVE JV Sitapaila Chowk, Ring Road	Bijauri-Basdabara-Jmuni-Laxmipur- Dakchin-Kurariya-Kanjawar-Kothari Road Dang District				DRAWN BY :			DRG NO : RCI/2/DNG/BBJ/PP
						CHECKED BY :			SHEET NO :
						APPROVED BY :			15



IP No.	CO-ORDINATES(m)		WCB (D-M-S)	DIST. (m)	DEF. ANG. (D-M-S)	TAN. LEN. (m)	SIMPLE CURVE DATA			CHAINAGE			
	EASTING	NORTHING					R (m)	E (m)	LC (m)	BC	MC	EC	IP
70	628972.957	3107828.827	175-42-6.44	54.229	33-41-13.36	12.110	40.000	1.793	23.518	4+490.614	4+502.373	4+514.132	4+522.724
71	628976.916	3107575.952	186-17-1.97	52.824	10-34-55.53	5.557	60.000	0.257	11.082	4+549.289	4+554.830	4+560.371	4+554.846
72	628974.075	3107550.152	170-12-4.99	25.956	16-04-56.98	14.128	100.000	0.993	28.089	4+566.642	4+580.677	4+594.712	4+580.770
73	628964.748	3107488.353	199-01-28.96	62.714	28-49-23.97	30.837	120.000	3.899	60.367	4+612.461	4+642.645	4+672.829	4+643.298
74	628941.885	3107364.044	184-50-12.17	131.491	14-11-16.79	17.423	140.000	1.080	34.668	4+756.060	4+773.394	4+790.728	4+773.483



HORIZONTAL ALIGNMENT	RIGHT LEFT	IP-70 R=40.00																												IP-71 R=60.00																												IP-72 R=100.00																												IP-73 R=120.00																												IP-74 R=140.00																																										
		1	2	3	4	5	6	7	8	9	10	11	12	13	14	15	16	17	18	19	20	21	22	23	24	25	26	27	28	1	2	3	4	5	6	7	8	9	10	11	12	13	14	15	16	17	18	19	20	21	22	23	24	25	26	27	28	1	2	3	4	5	6	7	8	9	10	11	12	13	14	15	16	17	18	19	20	21	22	23	24	25	26	27	28	1	2	3	4	5	6	7	8	9	10	11	12	13	14	15	16	17	18	19	20	21	22	23	24	25	26	27	28	1	2	3	4	5	6	7	8	9	10	11	12	13	14	15	16	17	18	19	20	21	22	23	24	25	26	27	28															
DESIGN LEVEL(m)		609.314	609.197	609.046	608.891	608.736	608.581	608.427	608.272	608.122	607.988	607.871	607.771	607.682	607.594	607.506	607.417	607.329	607.241	607.153	607.064	606.976	606.888	606.800	606.711	606.623	606.535	606.442	606.343	606.243	606.144	606.044	609.128	609.027	608.789	608.517	608.266	608.115	607.898	607.801	607.757	607.728	607.516	607.211	607.222	607.210	607.216	607.138	606.983	606.867	606.730	606.654	606.660	606.590	606.512	606.500	606.397	606.345	606.248	606.147	606.044	605.921	605.821	609.128	609.027	608.789	608.517	608.266	608.115	607.898	607.801	607.757	607.728	607.516	607.211	607.222	607.210	607.216	607.138	606.983	606.867	606.730	606.654	606.660	606.590	606.512	606.500	606.397	606.345	606.248	606.147	606.044	605.921	605.821	609.128	609.027	608.789	608.517	608.266	608.115	607.898	607.801	607.757	607.728	607.516	607.211	607.222	607.210	607.216	607.138	606.983	606.867	606.730	606.654	606.660	606.590	606.512	606.500	606.397	606.345	606.248	606.147	606.044	605.921	605.821	609.128	609.027	608.789	608.517	608.266	608.115	607.898	607.801	607.757	607.728	607.516	607.211	607.222	607.210	607.216	607.138	606.983	606.867	606.730	606.654	606.660	606.590	606.512	606.500	606.397	606.345	606.248	606.147	606.044	605.921	605.821
CHAINAGE(Km)		4+500	4+510	4+520	4+530	4+540	4+550	4+560	4+570	4+580	4+590	4+600	4+610	4+620	4+630	4+640	4+650	4+660	4+670	4+680	4+690	4+700	4+710	4+720	4+730	4+740	4+750	4+760	4+770	4+780	4+790	4+800	4+500	4+510	4+520	4+530	4+540	4+550	4+560	4+570	4+580	4+590	4+600	4+610	4+620	4+630	4+640	4+650	4+660	4+670	4+680	4+690	4+700	4+710	4+720	4+730	4+740	4+750	4+760	4+770	4+780	4+790	4+800	4+500	4+510	4+520	4+530	4+540	4+550	4+560	4+570	4+580	4+590	4+600	4+610	4+620	4+630	4+640	4+650	4+660	4+670	4+680	4+690	4+700	4+710	4+720	4+730	4+740	4+750	4+760	4+770	4+780	4+790	4+800	4+500	4+510	4+520	4+530	4+540	4+550	4+560	4+570	4+580	4+590	4+600	4+610	4+620	4+630	4+640	4+650	4+660	4+670	4+680	4+690	4+700	4+710	4+720	4+730	4+740	4+750	4+760	4+770	4+780	4+790	4+800																															

Government of Nepal
 Ministry of Federal Affairs and General Administration
 Department of Local Infrastructure (DoLI)
Rural Connectivity Improvement Project-phase 2
 (DoLI/RCIP/DPR-04/2019)

CONSULTANT:
ITECO - INCLUSIVE JV
 Sitapaila Chowk, Ring Road

ROAD NAME:
 Bijauri-Basdabara-Jmuni-Laxmipur-
 Dakchin-Kurariya-Kanjawar-Kothari
 Road
 Dang District

DATE

REVISION

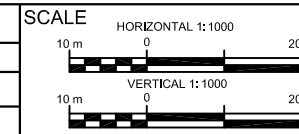
SIGNATURE

DESIGNED BY :

DRAWN BY :

CHECKED BY :

APPROVED BY :



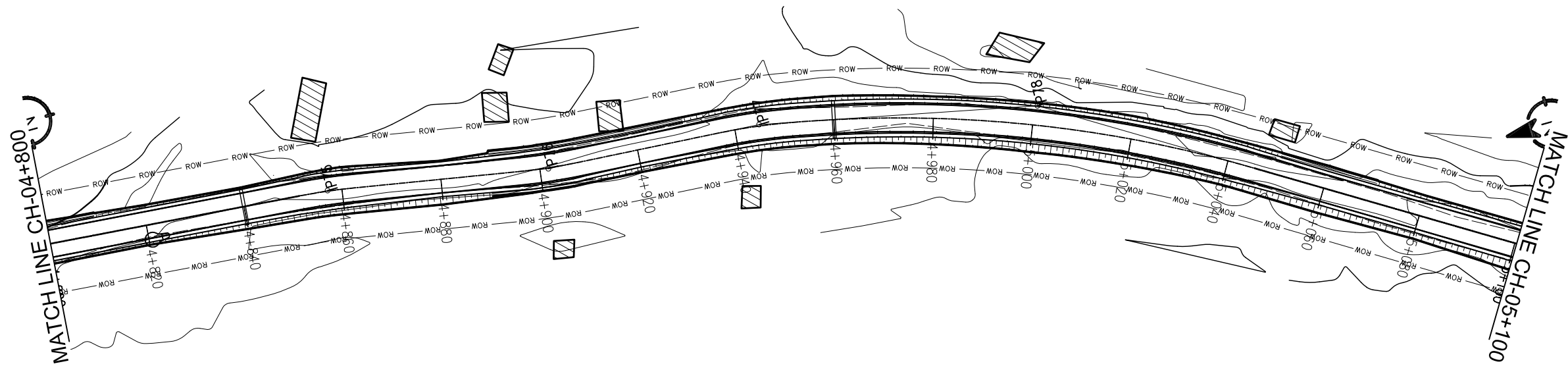
Plan & Profile

4+500-4+800

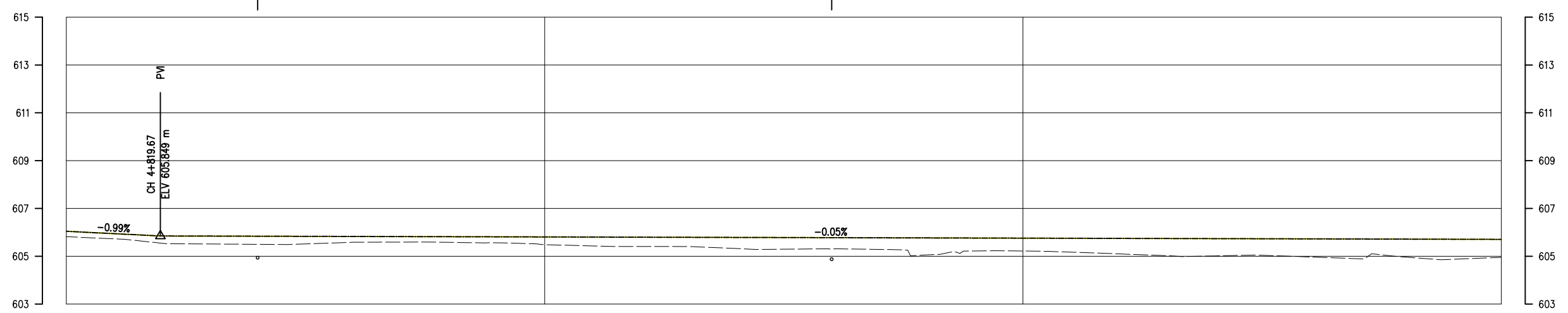
DATE: March 2022

DRG NO : RCIP2/DNG/BBJ/PP

SHEET NO : 16



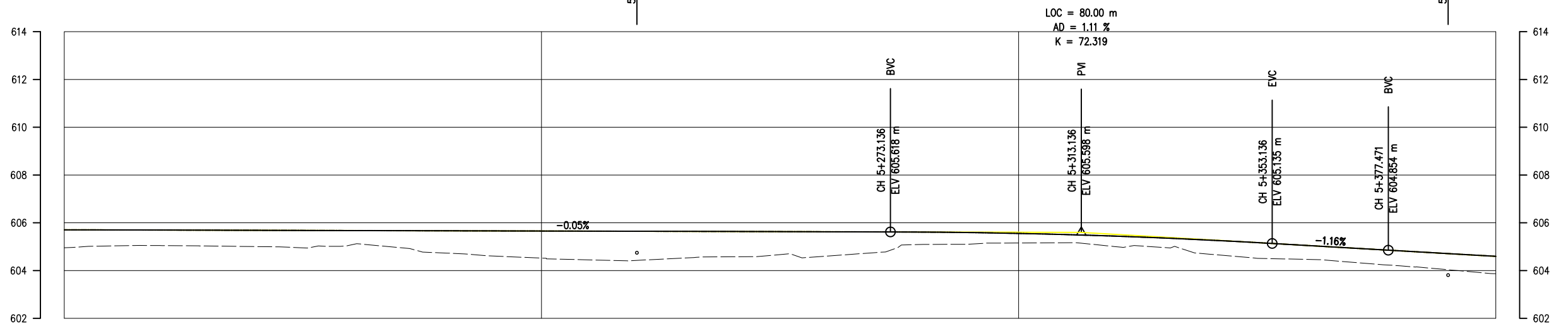
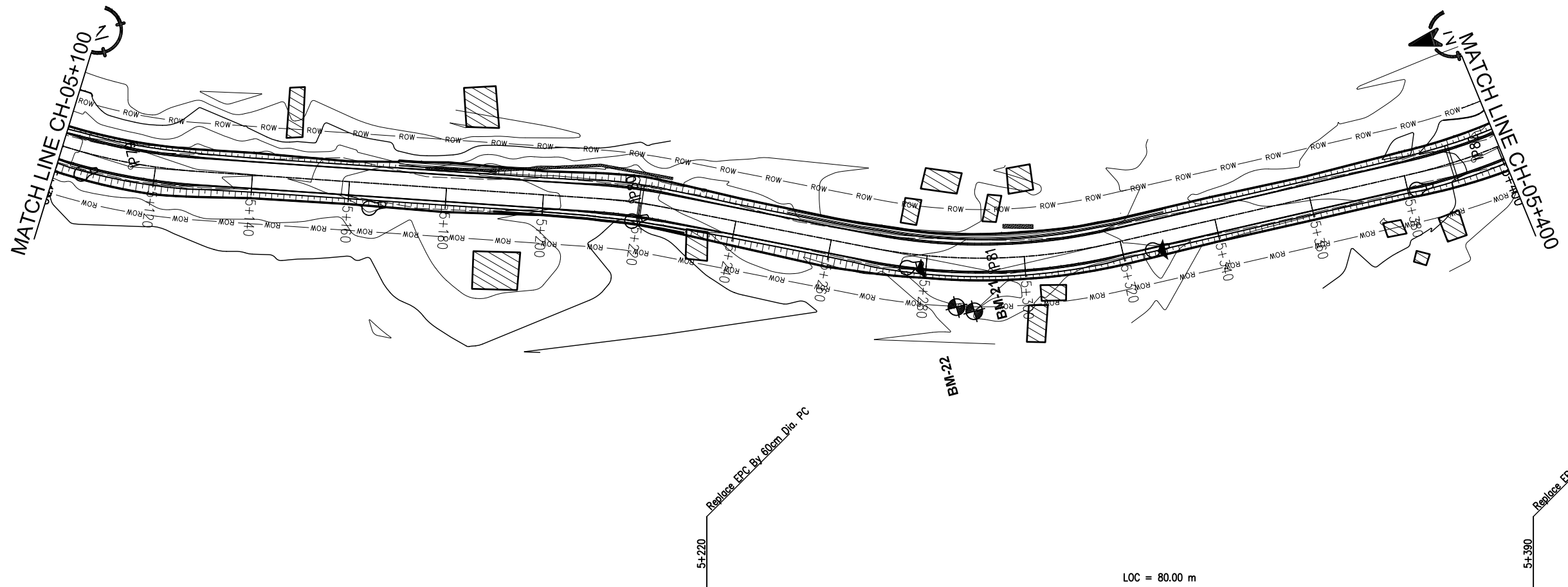
IP No.	CO-ORDINATES(m)		WSB (D-M-S)	DIST. (m)	DEF. ANG. (D-M-S)	TAN. LEN. (m)	SIMPLE CURVE DATA			CHAINAGE			
	EASTING	NORTHING					R (m)	E (m)	LC (m)	BC	MC	EC	IP
74	628941.885	3107364.044	184-50-12.17	131.491	14-11-16.79	17.423	140.000	1.080	34.688	4+756.060	4+773.394	4+790.728	4+773.483
75	628934.819	3107280.539	190-01-57.94	83.803	05-11-45.77	5.445	120.000	0.123	10.883	4+851.663	4+857.105	4+862.546	4+857.108
76	628927.049	3107236.620	183-52-56.31	44.601	08-09-1.63	6.447	120.000	0.173	12.881	4+895.255	4+901.696	4+908.136	4+901.702
77	628924.118	3107193.430	191-49-46.07	43.289	07-56-49.77	8.336	120.000	0.289	16.644	4+936.843	4+944.985	4+953.288	4+944.979
78	628912.621	3107138.538	211-44-5.21	56.083	19-54-19.14	44.922	256.000	3.911	88.938	4+956.114	5+000.582	5+045.051	5+001.035
79	628892.202	3107040.844	196-34-24.32	114.868	13-09-40.89	13.843	120.000	0.796	27.565	5+101.154	5+114.936	5+128.719	5+114.997



HORIZONTAL ALIGNMENT	RIGHT																														
	LEFT																														
DESIGN LEVEL(m)	605.044	605.945	605.848	605.843	605.838	605.833	605.828	605.823	605.818	605.813	605.808	605.803	605.798	605.793	605.787	605.782	605.777	605.772	605.767	605.762	605.757	605.752	605.747	605.742	605.737	605.732	605.727	605.721	605.716	605.711	605.706
EXISTING LEVEL(m)	605.821	605.728	605.543	605.512	605.499	605.516	605.585	605.592	605.581	605.563	605.485	605.431	605.410	605.407	605.326	605.295	605.303	605.285	605.057	605.220	605.218	605.172	605.098	605.025	605.013	605.042	604.970	604.898	604.964	604.874	604.954
CHAINAGE(Km)	4+800	4+810	4+820	4+830	4+840	4+850	4+860	4+870	4+880	4+890	4+900	4+910	4+920	4+930	4+940	4+950	4+960	4+970	4+980	4+990	5+000	5+010	5+020	5+030	5+040	5+050	5+060	5+070	5+080	5+090	5+100

Government of Nepal Ministry of Federal Affairs and General Administration Department of Local Infrastructure (DoLI) Rural Connectivity Improvement Project-phase 2 (DoLI/RCIP/DPR-04/2019)	CONSULTANT:	ROAD NAME :	DATE	REVISION	SIGNATURE	DESIGNED BY :	SCALE HORIZONTAL 1:1000 VERTICAL 1:1000 	Plan & Profile 4+800-5+100	DATE: March 2022
	ITECO - INCLUSIVE JV Sitapaila Chowk, Ring Road	Bijauri-Basdabara-Jmuni-Laxmipur- Dakchin-Kurariya-Kanjawar-Kothari Road Dang District				DRAWN BY :			DRG NO : RCIP2/DNG/BBJ/PP
						CHECKED BY :			SHEET NO : 17
						APPROVED BY :			

IP No.	CO-ORDINATES(m)		WCB (D-M-S)	DIST. (m)	DEF. ANG. (D-M-S)	TAN. LEN. (m)	SIMPLE CURVE DATA			CHANGAGE			
	EASTING	NORTHING					R (m)	E (m)	LC (m)	BC	MC	EC	IP
79	628852.202	3107040.844	188-34-24.32	114.868	13-09-40.89	13.843	120.000	0.796	27.565	5+101.154	5+114.936	5+128.719	5+114.997
80	628819.319	3106942.984	205-47-52.72	103.237	07-13-28.40	7.576	120.000	0.239	15.131	5+210.537	5+218.102	5+225.668	5+218.112
81	628786.536	3106875.163	181-41-54.85	75.329	24-05-58.08	25.616	120.000	2.704	50.474	5+267.805	5+283.042	5+318.279	5+293.421
82	628783.514	3106773.252	168-36-40.45	101.956	13-05-14.20	13.785	120.000	0.787	27.410	5+360.854	5+394.559	5+408.264	5+394.619



HORIZONTAL ALIGNMENT	RIGHT		IP-80 R=120.00																												RIGHT	
	LEFT	RIGHT																													LEFT	RIGHT
DESIGN LEVEL(m)	605.706	605.701	605.696	605.691	605.686	605.681	605.676	605.671	605.666	605.661	605.655	605.650	605.645	605.640	605.635	605.630	605.625	605.620	605.612	605.590	605.555	605.506	605.443	605.366	605.275	605.171	605.056	604.940	604.824	604.710	604.596	
EXISTING LEVEL(m)	604.954	605.032	605.046	605.028	605.005	604.952	605.071	604.965	604.732	604.607	604.522	604.447	604.427	604.526	604.577	604.669	604.609	604.752	605.095	605.108	605.154	605.165	605.008	604.971	604.685	604.512	604.470	604.346	604.196	604.034	603.867	
CHAINAGE(Km)	5+100	5+110	5+120	5+130	5+140	5+150	5+160	5+170	5+180	5+190	5+200	5+210	5+220	5+230	5+240	5+250	5+260	5+270	5+280	5+290	5+300	5+310	5+320	5+330	5+340	5+350	5+360	5+370	5+380	5+390	5+400	

Government of Nepal
Ministry of Federal Affairs and General Administration
Department of Local Infrastructure (DoLI)
Rural Connectivity Improvement Project-phase 2
(DoLI/RCIP/DPR-04/2019)

CONSULTANT:
ITECO - INCLUSIVE JV
Sitapaila Chowk, Ring Road

ROAD NAME :
Bijauri-Basdabara-Jmuni-Laxmipur-
Dakchin-Kurariya-Kanjawar-Kothari
Road
Dang District

DATE

REVISION

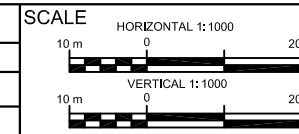
SIGNATURE

DESIGNED BY :

DRAWN BY :

CHECKED BY :

APPROVED BY :

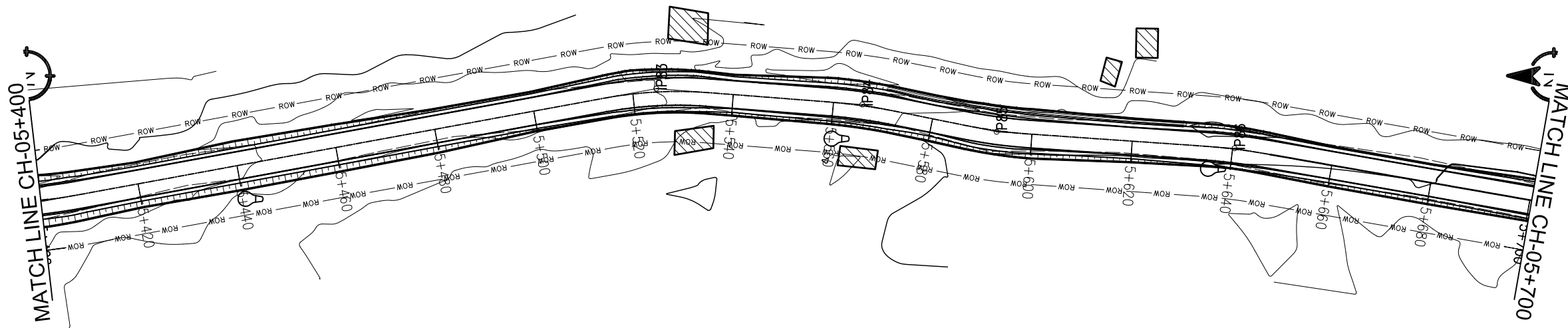


Plan & Profile
5+100-5+400

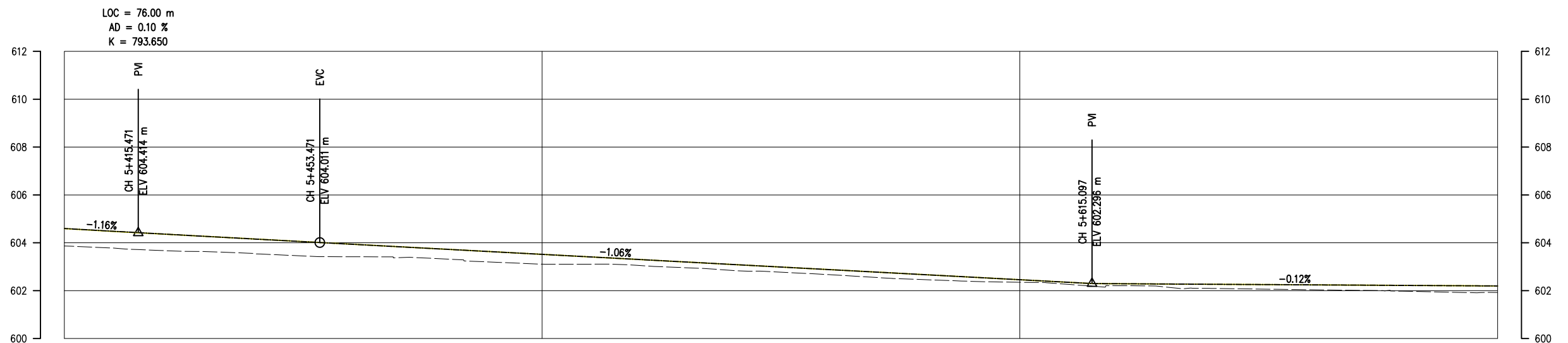
DATE: March 2022

DRG NO : RCIP2/DNG/BBJ/PP

SHEET NO : **18**



IP No.	CO-ORDINATES(m)		WCB (D-M-S)	DIST. (m)	DEF. ANG. (D-M-S)	TAN. LEN. (m)	SIMPLE CURVE DATA			CHAINAGE			
	EASTING	NORTHING					R (m)	E (m)	LC (m)	BC	MC	EC	IP
82	628783.514	3106773.252	183-38-40.45	101.958	13-05-14.30	13.785	120.000	0.787	27.410	5+380.854	5+394.599	5+408.284	5+384.619
83	628800.240	3106645.536	183-28-23.42	130.281	14-49-42.97	10.410	80.000	0.675	20.705	5+514.370	5+524.723	5+535.076	5+524.781
84	628806.775	3106604.527	190-28-27.31	41.083	07-02-3.89	7.378	120.000	0.228	14.733	5+558.372	5+565.738	5+573.105	5+565.747
85	628801.820	3106577.725	182-59-2.04	27.258	07-29-25.27	6.548	100.000	0.214	13.073	5+598.439	5+592.978	5+599.512	5+592.985
86	628799.351	3106530.359	188-57-58.84	47.430	05-58-57.61	6.271	120.000	0.164	12.530	5+634.128	5+640.391	5+646.656	5+640.397
87	628786.096	3106446.353	222-30-17.69	85.045	33-32-18.05	24.108	80.000	3.553	46.828	5+701.324	5+724.738	5+748.153	5+725.431



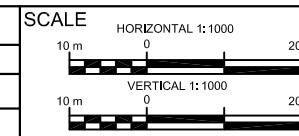
HORIZONTAL ALIGNMENT	RIGHT																														
	LEFT																														
			IP-82 R=120.00 IP-83 R=80.00 IP-84 R=120.00 IP-85 R=100.00 IP-86 R=120.00																												
DESIGN LEVEL(m)	604.596	604.484	604.373	604.263	604.155	604.048	603.941	603.835	603.729	603.623	603.517	603.411	603.305	603.199	603.092	602.986	602.880	602.774	602.668	602.562	602.456	602.350	602.290	602.278	602.266	602.254	602.242	602.231	602.219	602.207	602.195
EXISTING LEVEL(m)	603.867	603.782	603.680	603.630	603.534	603.450	603.417	603.378	603.319	603.189	603.106	603.105	603.056	602.958	602.841	602.772	602.669	602.549	602.459	602.388	602.348	602.264	602.208	602.162	602.093	602.065	602.038	602.014	601.976	601.934	601.924
CHAINAGE(Km)	5+400	5+410	5+420	5+430	5+440	5+450	5+460	5+470	5+480	5+490	5+500	5+510	5+520	5+530	5+540	5+550	5+560	5+570	5+580	5+590	5+600	5+610	5+620	5+630	5+640	5+650	5+660	5+670	5+680	5+690	5+700

Government of Nepal
 Ministry of Federal Affairs and General Administration
 Department of Local Infrastructure (DoLI)
Rural Connectivity Improvement Project-phase 2
 (DoLI/RCIP/DPR-04/2019)

CONSULTANT:
ITECO - INCLUSIVE JV
 Sitapaila Chowk, Ring Road

ROAD NAME :
 Bijauri-Basdabara-Jmuni-Laxmipur-
 Dakchin-Kurariya-Kanjawar-Kothari
 Road
 Dang District

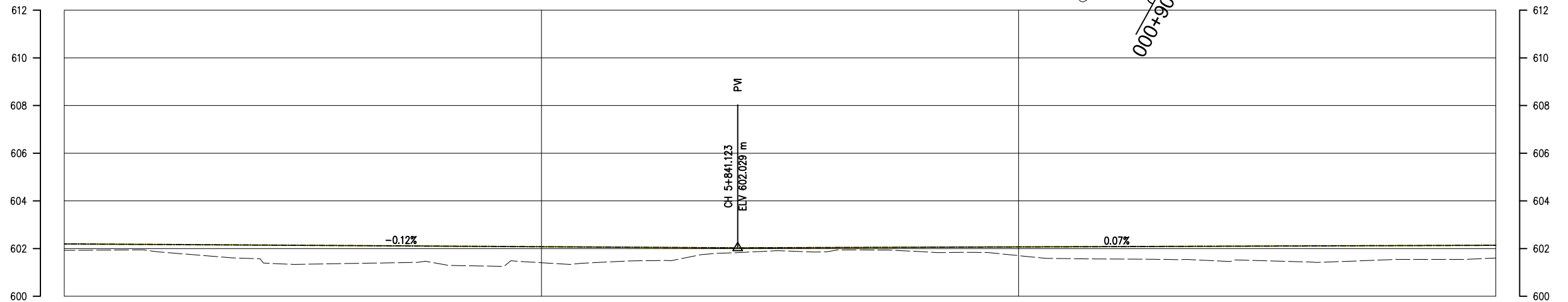
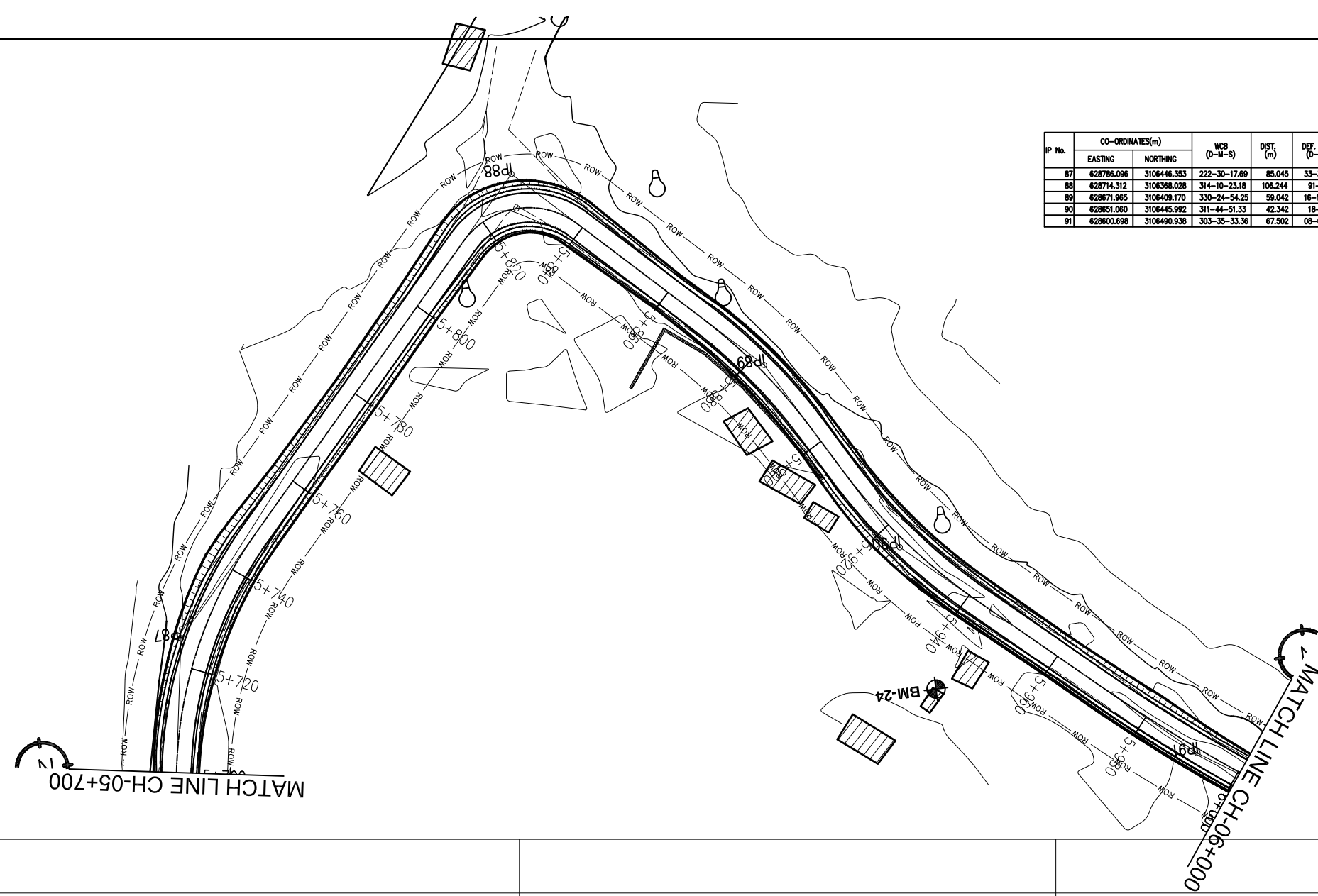
DATE: REVISION: SIGNATURE: DESIGNED BY: DRAWN BY: CHECKED BY: APPROVED BY:



Plan & Profile
5+400-5+700

DATE: March 2022
 DRG NO : RCIP2/DNG/BBJ/PP
 SHEET NO : **19**

IP No.	CO-ORDINATES(m)		WCB (D-M-S)	DST. (m)	DEF. ANG. (D-M-S)	TAN. LEN. (m)	SIMPLE CURVE DATA			CHANNAGE			
	EASTING	NORTHING					R (m)	E (m)	LC (m)	BC	MC	EC	IP
87	628786.096	3106446.353	222-30-17.69	85.045	33-32-18.05	24.106	80.000	3.553	46.828	5+701.324	5+724.738	5+748.153	5+725.431
88	628714.312	3106368.028	314-10-23.18	106.244	91-40-5.49	15.443	15.000	6.529	23.999	5+814.847	5+826.846	5+838.845	5+830.290
89	628671.965	3106408.170	330-24-54.25	58.042	16-14-31.07	14.840	104.000	1.053	29.481	5+867.604	5+882.344	5+897.085	5+882.444
90	628651.060	3106445.992	311-44-51.33	42.342	18-40-2.92	17.751	108.000	1.449	35.167	5+906.836	5+924.430	5+942.024	5+924.587
91	628600.698	3106490.938	303-35-33.36	67.502	08-09-17.97	22.099	310.000	0.787	44.123	5+969.676	5+991.737	6+013.798	5+991.774



HORIZONTAL ALIGNMENT	RIGHT		IP-87 R=80.00																				IP-88 R=15.00		IP-89 R=104.00		IP-90 R=108.00				IP-91 R=310.00																																																																						
	LEFT	RIGHT	1	2	3	4	5	6	7	8	9	10	11	12	13	14	15	16	17	18	19	20	21	22	23	24	25	26	27	28	29	30	31	32	33	34	35	36	37	38	39	40	41	42	43	44	45	46	47	48	49	50	51	52	53	54	55	56	57	58	59	60	61	62	63	64	65	66	67	68	69	70	71	72	73	74	75	76	77	78	79	80	81	82	83	84	85	86	87	88	89	90	91	92	93	94	95	96	97	98	99
DESIGN LEVEL(m)			602.195	602.183	602.172	602.160	602.148	602.136	602.124	602.113	602.101	602.089	602.077	602.065	602.054	602.042	602.030	602.035	602.042	602.049	602.055	602.062	602.069	602.076	602.083	602.090	602.097	602.104	602.111	602.117	602.124	602.131	602.138																																																																				
EXISTING LEVEL(m)			601.924	601.937	601.856	601.695	601.575	601.342	601.375	601.407	601.311	601.261	601.406	601.399	601.488	601.605	601.820	601.908	601.870	601.940	601.865	601.840	601.704	601.580	601.563	601.547	601.497	601.499	601.442	601.474	601.544	601.546	601.602																																																																				
CHAINAGE(Km)			5+700	5+710	5+720	5+730	5+740	5+750	5+760	5+770	5+780	5+790	5+800	5+810	5+820	5+830	5+840	5+850	5+860	5+870	5+880	5+890	5+900	5+910	5+920	5+930	5+940	5+950	5+960	5+970	5+980	5+990	6+000																																																																				

Government of Nepal
Ministry of Federal Affairs and General Administration
Department of Local Infrastructure (DoLI)
Rural Connectivity Improvement Project-phase 2
(DoLI/RCIP/DPR-04/2019)

CONSULTANT:
ITECO - INCLUSIVE JV
Sitapaila Chowk, Ring Road

ROAD NAME :
Bijauri-Basdabara-Jmuni-Laxmipur-
Dakchin-Kurariya-Kanjawar-Kothari
Road
Dang District

DATE

REVISION

SIGNATURE

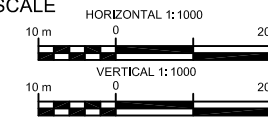
DESIGNED BY :

DRAWN BY :

CHECKED BY :

APPROVED BY :

SCALE



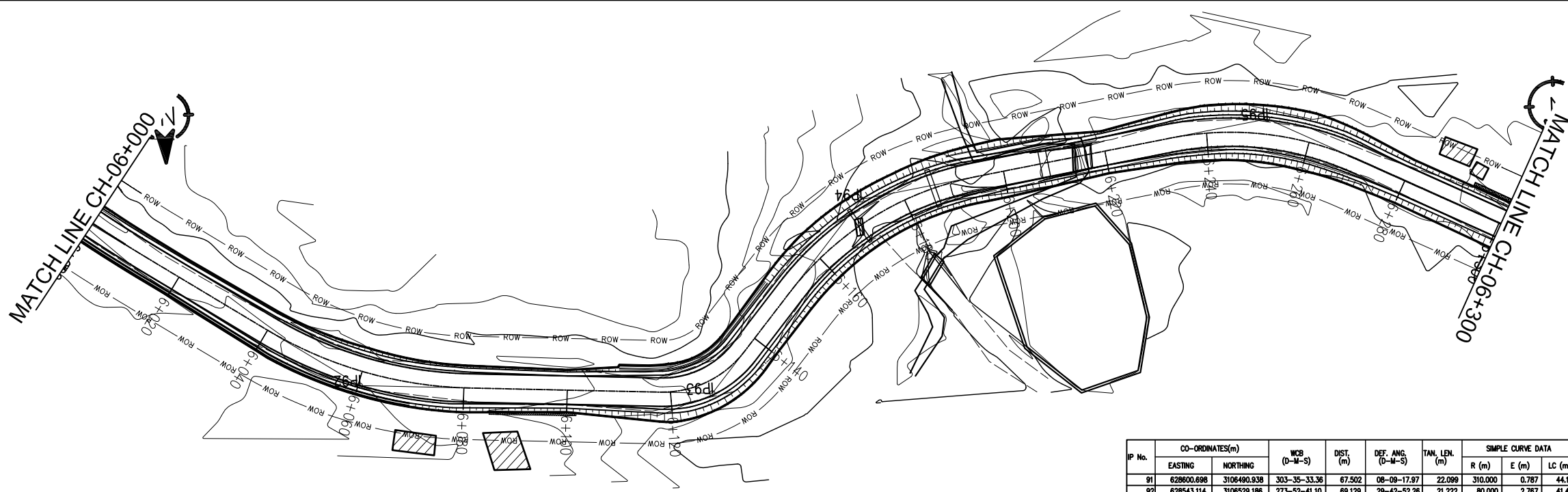
Plan & Profile

5+700-6+000

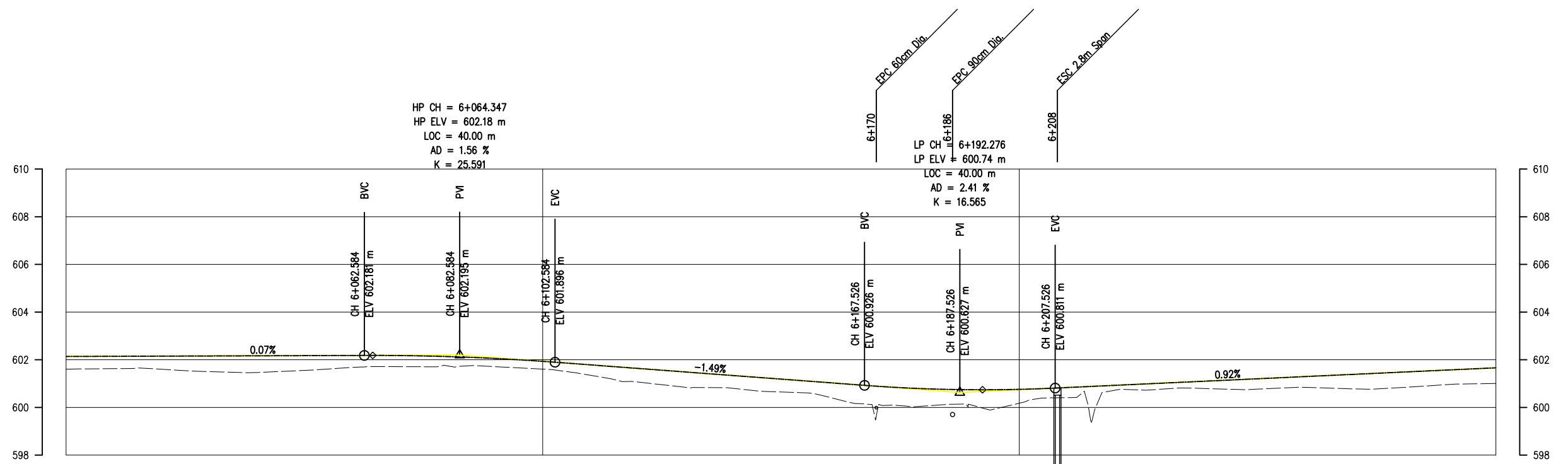
DATE: March 2022

DRG NO : RCIP2/DNG/BBJ/PP

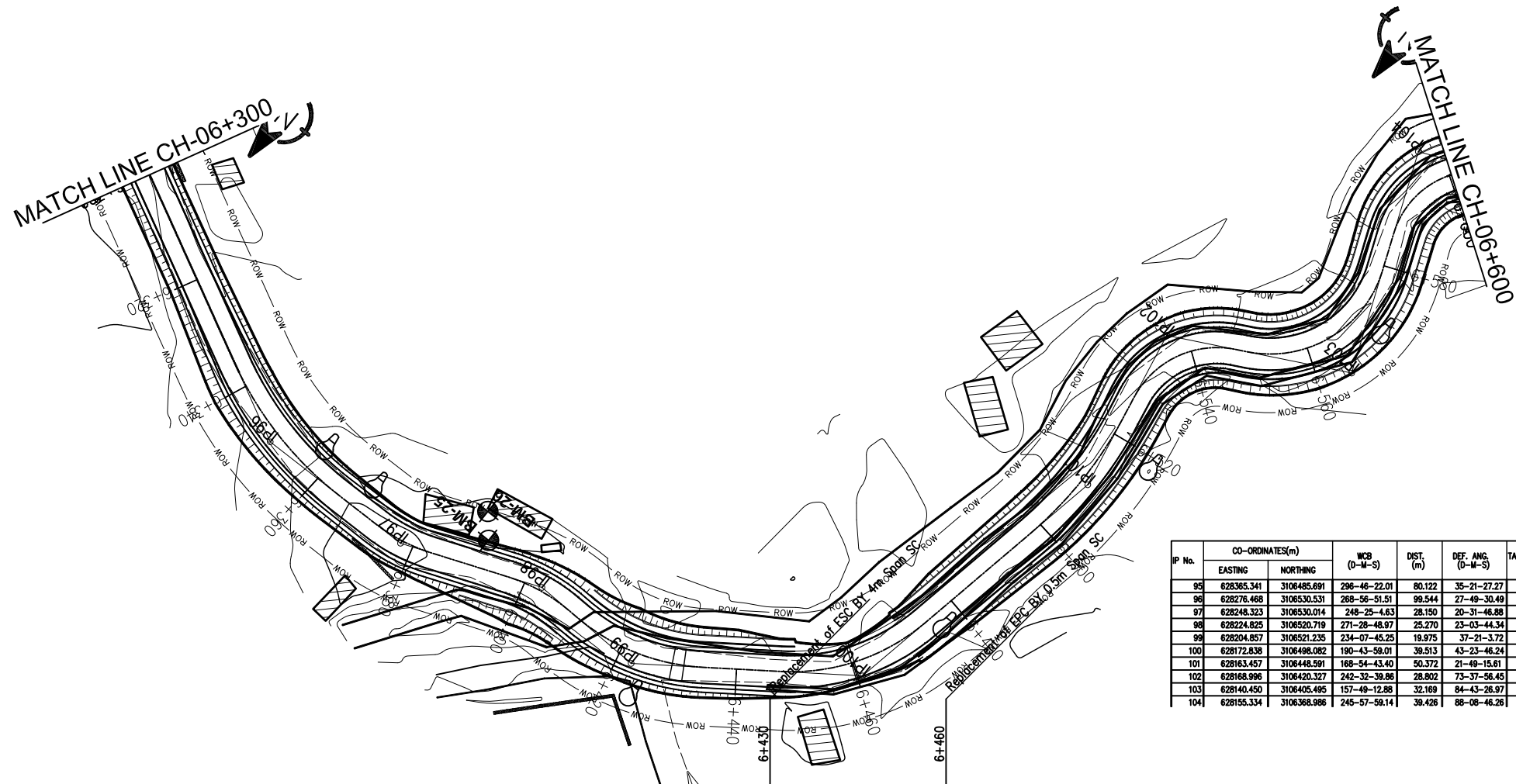
SHEET NO : 20



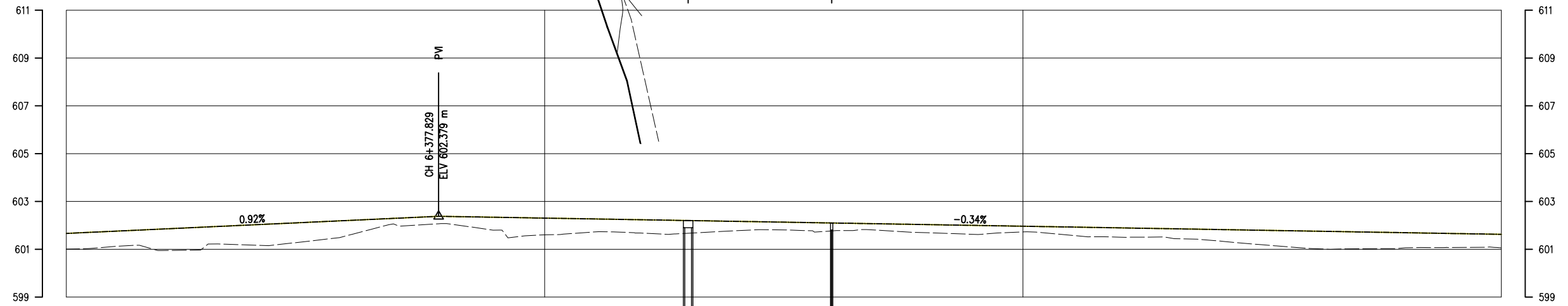
IP No.	CO-ORDINATES(m)		WOB (D-M-S)	DIST (m)	DEF. ANG (D-M-S)	TAN. LEN (m)	SIMPLE CURVE DATA			CHAINAGE			
	EASTING	NORTHING					R (m)	E (m)	LC (m)	BC	MC	EC	IP
91	628600.698	3106490.938	303-35-33.36	67.502	08-09-17.97	22.099	310.000	0.787	44.123	5+989.676	5+991.737	6+013.798	5+991.774
92	628543.114	3106529.186	273-52-41.10	69.129	29-42-52.28	21.222	80.000	2.767	41.489	6+039.606	6+060.351	6+081.096	6+060.829
93	628475.035	3106533.801	220-07-36.36	68.235	53-45-4.75	10.136	20.000	2.422	18.763	6+117.973	6+127.354	6+136.735	6+128.108
94	628444.565	3106497.651	281-24-54.74	47.278	41-17-18.38	22.605	60.000	4.117	43.237	6+151.272	6+172.891	6+194.510	6+173.878
95	628365.341	3106485.691	296-46-22.01	80.122	35-21-27.27	19.124	60.000	2.974	37.026	6+232.902	6+251.415	6+269.928	6+252.026



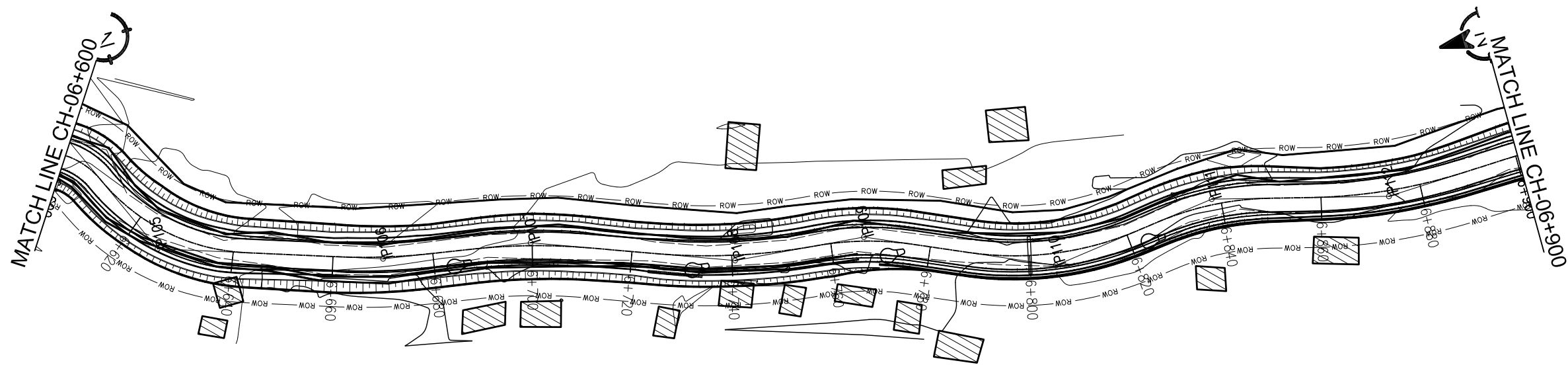
HORIZONTAL ALIGNMENT	RIGHT		CHAINAGE(Km)																														
	LEFT	RIGHT	6+000	6+010	6+020	6+030	6+040	6+050	6+060	6+070	6+080	6+090	6+100	6+110	6+120	6+130	6+140	6+150	6+160	6+170	6+180	6+190	6+200	6+210	6+220	6+230	6+240	6+250	6+260	6+270	6+280	6+290	6+300
DESIGN LEVEL(m)			602.138	602.145	602.152	602.159	602.166	602.173	602.179	602.176	602.134	602.053	601.933	601.785	601.636	601.487	601.337	601.188	601.038	600.891	600.786	600.742	600.759	600.834	600.926	601.018	601.110	601.202	601.294	601.386	601.478	601.570	601.662
EXISTING LEVEL(m)			601.602	601.626	601.601	601.502	601.465	601.553	601.679	601.710	601.742	601.710	601.607	601.349	601.064	600.841	600.800	600.647	600.433	599.647	600.057	600.097	600.176	600.409	600.718	600.767	600.784	600.768	600.841	600.778	600.831	600.959	601.006



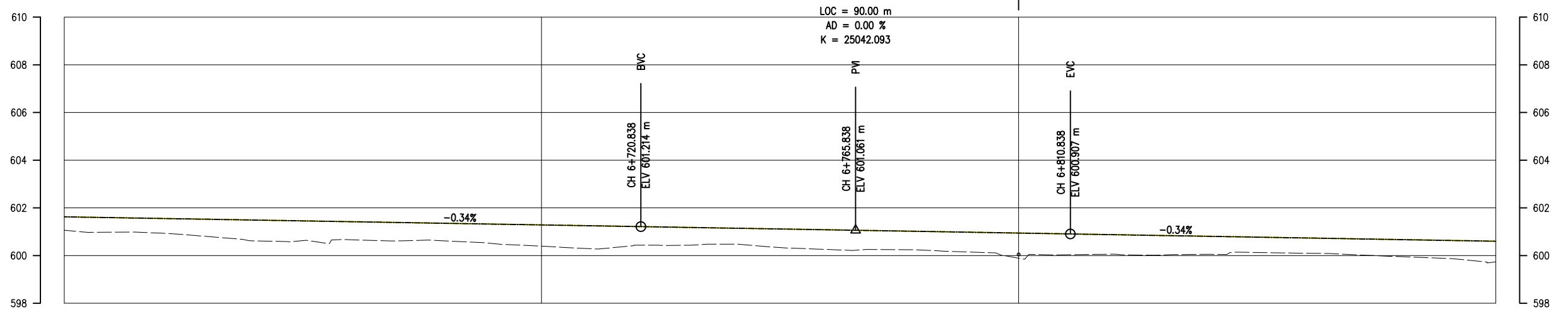
IP No.	CO-ORDINATES(m)		MCB (D-M-S)	DIST. (m)	DEF. ANG. (D-M-S)	TAN. LEN. (m)	SIMPLE CURVE DATA			CHAINAGE			
	EASTING	NORTHING					R (m)	E (m)	LC (m)	BC	MC	EC	IP
95	628365.341	3106485.691	296-46-22.01	80.122	35-21-27.27	19.124	60.000	2.974	37.026	6+232.902	6+251.415	6+269.928	6+252.026
96	628276.468	3106530.531	268-56-51.51	99.544	27-49-30.49	14.862	60.000	1.813	29.138	6+335.486	6+350.055	6+364.624	6+350.348
97	628248.323	3106530.014	248-25-4.83	28.150	20-31-46.88	5.433	30.000	0.488	10.749	6+372.479	6+377.853	6+383.228	6+377.912
98	628224.825	3106520.719	271-28-48.97	25.270	23-03-44.34	6.121	30.000	0.618	12.075	6+396.944	6+402.982	6+409.020	6+403.065
99	628204.857	3106521.235	234-07-45.25	19.975	37-21-3.72	12.168	36.000	2.001	23.468	6+410.705	6+422.440	6+434.174	6+422.874
100	628172.838	3106498.082	190-43-59.01	39.513	43-23-48.24	13.927	35.000	2.669	26.509	6+447.592	6+460.846	6+474.101	6+461.519
101	628163.457	3106448.591	168-54-43.40	50.372	21-49-15.61	13.108	68.000	1.252	25.898	6+497.439	6+510.388	6+523.338	6+510.546
102	628168.996	3106420.327	242-32-39.86	28.802	73-37-56.45	11.977	16.000	3.986	20.562	6+527.054	6+537.335	6+547.616	6+539.030
103	628140.450	3106405.495	157-49-12.88	32.169	84-43-26.97	18.238	20.000	7.067	29.574	6+548.570	6+564.357	6+579.145	6+567.809
104	628155.334	3106368.986	245-57-59.14	39.426	88-08-46.26	14.522	15.000	5.878	23.077	6+585.810	6+597.349	6+608.887	6+600.333



HORIZONTAL ALIGNMENT	RIGHT		LEFT		IP-96		IP-97		IP-98		IP-99		IP-100		IP-101		IP-102		IP-103		IP-104										
					R=60.00		R=30.00		R=30.00		R=36.00		R=35.00		R=68.00		R=16.00		R=20.00		R=15.00										
DESIGN LEVEL(m)	601.662	601.754	601.847	601.939	602.031	602.123	602.215	602.307	602.372	602.338	602.304	602.270	602.236	602.202	602.168	602.134	602.100	602.066	602.032	601.998	601.964	601.930	601.896	601.862	601.828	601.794	601.760	601.726	601.692	601.658	601.624
EXISTING LEVEL(m)	601.006	601.116	600.949	601.217	601.167	601.324	601.638	601.971	602.059	601.802	601.605	601.719	601.679	601.671	601.776	601.807	601.767	601.793	601.693	601.620	601.725	601.586	601.508	601.498	601.361	601.188	601.032	601.020	601.060	601.074	601.059
CHAINAGE(Km)	6+300	6+310	6+320	6+330	6+340	6+350	6+360	6+370	6+380	6+390	6+400	6+410	6+420	6+430	6+440	6+450	6+460	6+470	6+480	6+490	6+500	6+510	6+520	6+530	6+540	6+550	6+560	6+570	6+580	6+590	6+600



IP No.	CO-ORDINATES(m)		WGS (D-M-S)	DIST. (m)	DEF. ANG. (D-M-S)	TAN. LEN. (m)	SIMPLE CURVE DATA			CHAINAGE			
	EASTING	NORTHING					R (m)	E (m)	LC (m)	BC	MC	EC	IP
104	628155.334	3106368.986	245-57-58.14	38.426	88-08-46.26	14.522	15.000	5.878	23.077	6+585.810	6+597.349	6+608.887	6+600.333
105	628125.585	3106355.720	198-05-17.23	32.573	47-52-41.91	17.758	40.000	3.785	33.425	6+609.179	6+625.892	6+642.605	6+628.938
106	628111.555	3106312.765	189-21-13.95	45.188	08-44-3.28	9.164	120.000	0.349	18.293	6+660.870	6+670.017	6+679.163	6+670.035
107	628106.727	3106283.455	200-29-5.60	29.705	11-07-51.65	11.693	120.000	0.568	23.313	6+688.011	6+699.667	6+711.324	6+699.704
108	628092.347	3106244.963	185-14-37.38	41.090	15-14-28.22	16.055	120.000	1.069	31.921	6+724.665	6+740.626	6+756.586	6+740.721
109	628089.952	3106218.867	203-54-42.24	26.206	18-40-4.85	9.862	60.000	0.805	19.549	6+756.875	6+766.649	6+776.424	6+766.737
110	628074.203	3106183.347	172-31-23.69	38.855	31-23-18.55	17.702	63.000	2.440	34.513	6+787.715	6+804.972	6+822.229	6+805.417
111	628078.612	3106149.752	194-38-33.62	33.883	22-07-9.94	11.728	60.000	1.135	23.163	6+826.682	6+838.264	6+849.846	6+838.410
112	628069.639	3106115.409	177-52-18.46	35.496	16-46-15.16	15.773	107.000	1.156	31.320	6+867.841	6+873.501	6+889.161	6+873.614
113	628071.101	3106076.067	205-37-40.15	39.369	27-45-21.70	14.824	60.000	1.804	29.066	6+897.933	6+912.467	6+927.000	6+912.758



HORIZONTAL ALIGNMENT	RIGHT LEFT	IP-104 R=15.00																												IP-105 R=40.00																												IP-106 R=120.00																												IP-107 R=120.00																												IP-108 R=120.00																												IP-109 R=60.00																												IP-110 R=63.00																												IP-111 R=60.00																												IP-112 R=107.00																												IP-113 R=60.00																											
		DESIGN LEVEL(m)																												EXISTING LEVEL(m)																												CHAINAGE(Km)																																																																																																																																																																																																																															
		601.624	601.590	601.556	601.522	601.488	601.454	601.420	601.387	601.353	601.319	601.285	601.251	601.217	601.183	601.149	601.115	601.081	601.046	601.012	600.978	600.944	600.909	600.875	600.841	600.806	600.772	600.738	600.703	600.669	600.635	600.600	601.059	600.979	600.941	600.799	600.616	600.627	600.662	600.616	600.613	600.499	600.395	600.290	600.434	600.432	600.475	600.335	600.256	600.254	600.227	600.146	599.887	600.034	600.059	600.025	600.053	600.128	600.097	600.039	599.954	599.877	599.734	6+600	6+610	6+620	6+630	6+640	6+650	6+660	6+670	6+680	6+690	6+700	6+710	6+720	6+730	6+740	6+750	6+760	6+770	6+780	6+790	6+800	6+810	6+820	6+830	6+840	6+850	6+860	6+870	6+880	6+890	6+900																																																																																																																																																																																											

Government of Nepal
Ministry of Federal Affairs and General Administration
Department of Local Infrastructure (DoLI)
Rural Connectivity Improvement Project-phase 2
(DoLI/RCIP/DPR-04/2019)

CONSULTANT:
ITECO - INCLUSIVE JV
Sitapaila Chowk, Ring Road

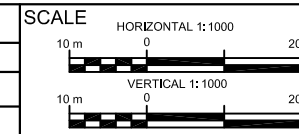
ROAD NAME :
Bijauri-Basdabara-Jmuni-Laxmipur-
Dakchin-Kurariya-Kanjawar-Kothari
Road
Dang District

DATE

REVISION

SIGNATURE

DESIGNED BY :
DRAWN BY :
CHECKED BY :
APPROVED BY :

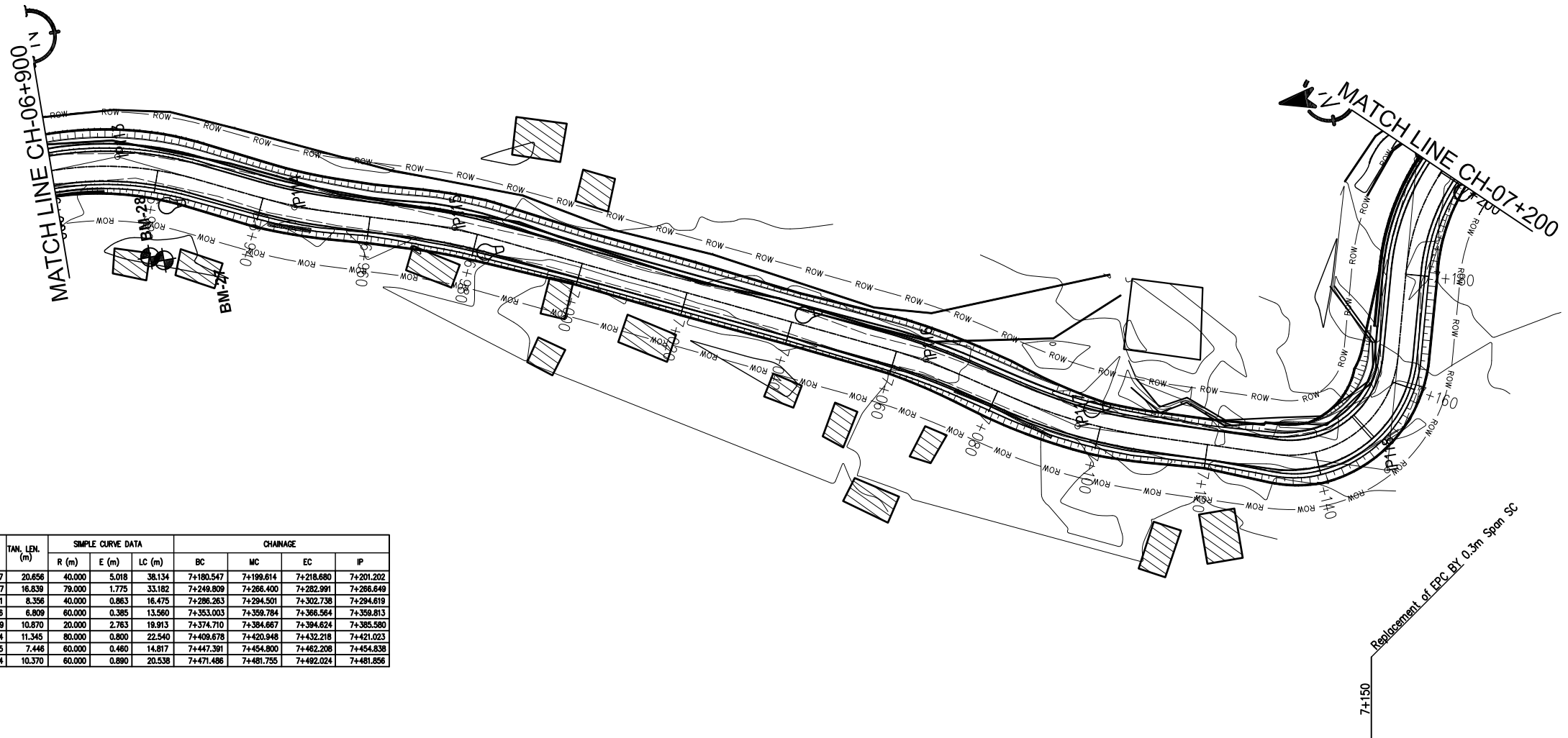


Plan & Profile
6+600-6+900

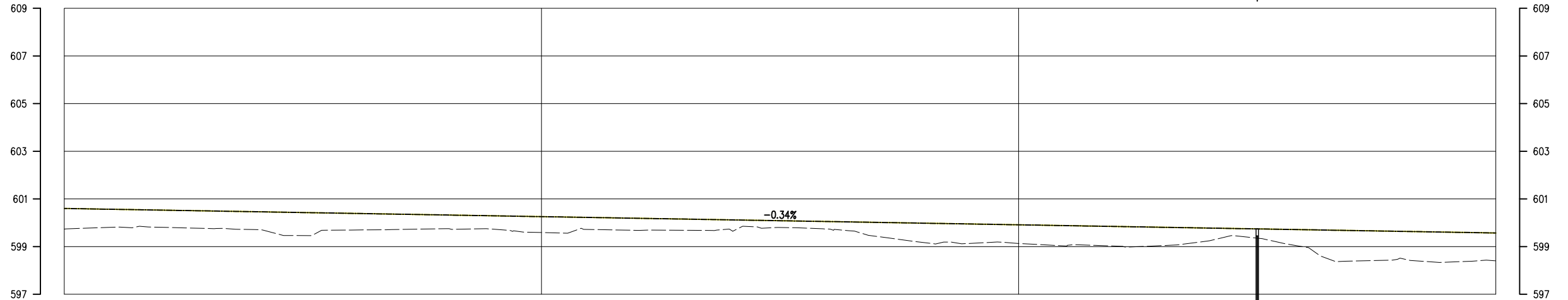
DATE: March 2022

DRG NO : RCI2/DNG/BBJ/PP

SHEET NO : 23



IP No.	CO-ORDINATES(m)		WCB (D-M-S)	DIST. (m)	DEF. ANG. (D-M-S)	TAN. LEN. (m)	SIMPLE CURVE DATA			CHANGAGE			
	EASTING	NORTHING					R (m)	E (m)	LC (m)	BC	MC	EC	IP
119	628030.477	3105840.670	159-44-49.86	57.397	54-37-21.37	20.656	40.000	5.018	38.134	7+180.547	7+199.614	7+218.680	7+201.202
120	628054.232	3105776.289	183-48-46.33	68.624	24-03-56.47	16.839	79.000	1.775	33.182	7+249.809	7+268.400	7+282.991	7+266.649
121	628052.339	3105747.885	160-12-52.93	28.467	23-35-53.41	8.356	40.000	0.863	16.475	7+286.263	7+294.501	7+302.738	7+294.619
122	628074.487	3105686.317	147-15-56.06	65.431	12-56-56.86	6.809	60.000	0.385	13.560	7+353.003	7+359.784	7+366.564	7+359.813
123	628088.452	3105664.593	204-18-48.76	25.825	57-02-52.69	10.870	20.000	2.783	19.913	7+374.710	7+384.667	7+394.624	7+385.580
124	628073.107	3105630.629	188-10-13.51	37.270	16-08-35.24	11.345	80.000	0.800	22.540	7+408.678	7+420.948	7+432.218	7+421.023
125	628086.280	3105597.009	174-01-17.56	33.965	14-08-55.95	7.446	60.000	0.480	14.817	7+447.391	7+454.800	7+462.208	7+454.838
126	628071.102	3105570.062	193-38-0.30	27.094	19-36-42.74	10.370	60.000	0.890	20.538	7+471.486	7+481.755	7+492.024	7+481.856



HORIZONTAL ALIGNMENT	RIGHT LEFT	IP-113 R=60.00		IP-114 R=100.00		IP-115 R=100.00		IP-116 R=120.00		IP-117 R=100.00		IP-118 R=20.00		IP-119 R=40.00																		
		1	2	3	4	5	6	7	8	9	10	11	12	13	14																	
DESIGN LEVEL(m)		600.600	600.566	600.532	600.498	600.463	600.429	600.395	600.360	600.326	600.292	600.257	600.223	600.189	600.154	600.120	600.086	600.051	600.017	599.983	599.948	599.914	599.880	599.845	599.811	599.777	599.742	599.708	599.674	599.639	599.605	599.571
EXISTING LEVEL(m)		599.734	599.812	599.812	599.761	599.712	599.461	599.695	599.719	599.752	599.730	599.590	599.719	599.681	599.685	599.653	599.803	599.728	599.434	599.171	599.135	599.130	599.025	599.025	599.040	599.243	599.355	598.979	598.394	598.511	598.349	598.403
CHAINAGE(Km)		6+900	6+910	6+920	6+930	6+940	6+950	6+960	6+970	6+980	6+990	7+000	7+010	7+020	7+030	7+040	7+050	7+060	7+070	7+080	7+090	7+100	7+110	7+120	7+130	7+140	7+150	7+160	7+170	7+180	7+190	7+200

Government of Nepal
Ministry of Federal Affairs and General Administration
Department of Local Infrastructure (DoLI)
Rural Connectivity Improvement Project-phase 2
(DoLI/RCIP/DPR-04/2019)

CONSULTANT:
ITECO - INCLUSIVE JV
Sitapaila Chowk, Ring Road

ROAD NAME :
Bijauri-Basdabara-Jmuni-Laxmipur-
Dakchin-Kurariya-Kanjawar-Kothari
Road
Dang District

DATE

REVISION

SIGNATURE

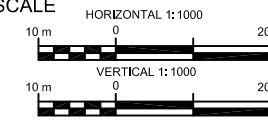
DESIGNED BY :

DRAWN BY :

CHECKED BY :

APPROVED BY :

SCALE



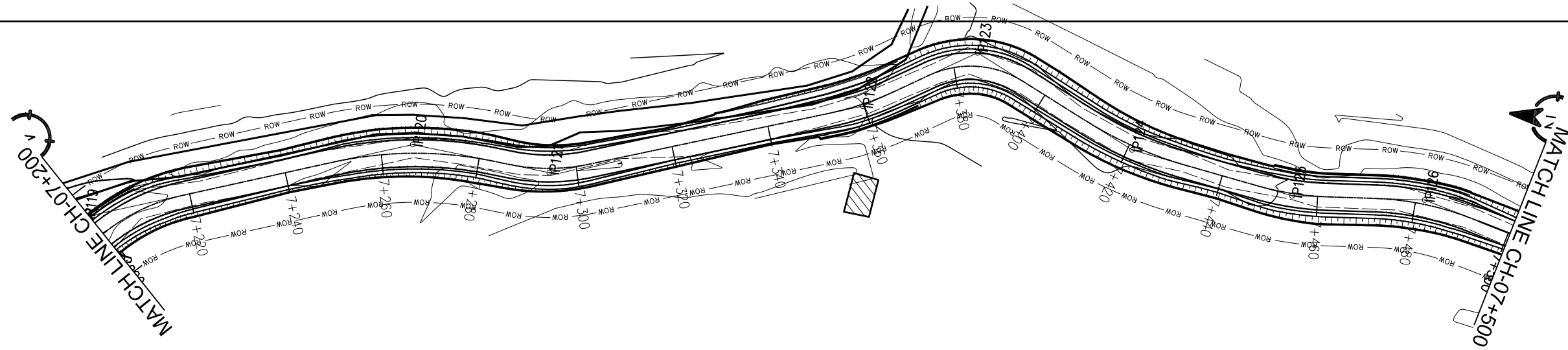
Plan & Profile

6+900-7+200

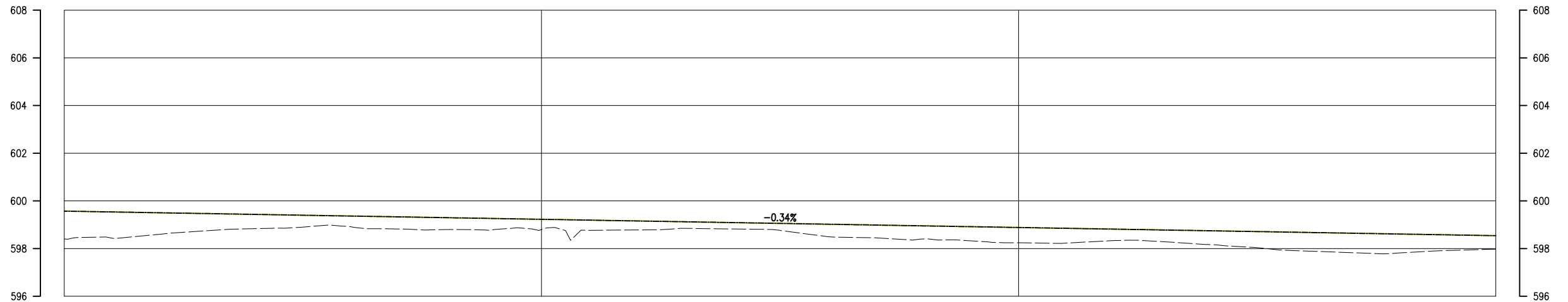
DATE: March 2022

DRG NO : RCI2/DNG/BBJ/PP

SHEET NO : 24



P No.	CO-ORDINATES(m)		WCB (D-M-S)	DIST. (m)	DEF. ANG. (D-M-S)	TAIL LEN. (m)	SIMPLE CURVE DATA			CHAINAGE			
	EASTING	NORTHING					R (m)	E (m)	LC (m)	BC	MC	EC	IP
113	628071.101	3106076.067	205-37-40.15	39.389	27-45-21.70	14.824	60.000	1.804	29.066	6+897.933	6+912.467	6+927.000	6+912.758
114	628056.461	3106045.549	196-59-26.59	33.848	08-38-13.56	7.552	100.000	0.285	15.075	6+938.472	6+946.009	6+953.546	6+946.023
115	628047.790	3106017.171	205-16-53.28	29.673	08-17-26.69	7.248	100.000	0.262	14.470	6+968.420	6+975.855	6+982.890	6+975.668
116	628009.389	3105935.865	213-22-35.41	89.918	08-05-42.13	8.491	120.000	0.300	16.954	7+057.070	7+065.547	7+074.024	7+065.561
117	627992.605	3105910.388	197-45-47.67	30.509	15-36-47.75	13.710	100.000	0.935	27.250	7+082.331	7+095.956	7+109.582	7+095.041
118	627975.068	3105855.646	105-07-28.49	57.482	92-38-19.18	20.943	20.000	8.959	32.337	7+132.411	7+148.579	7+164.748	7+153.354
119	628030.477	3105840.670	159-44-49.86	57.397	54-37-21.37	20.656	40.000	5.018	38.134	7+180.547	7+199.614	7+218.680	7+201.202



HORIZONTAL ALIGNMENT	RIGHT		LEFT		IP-119 R=40.00		IP-120 R=79.00		IP-121 R=40.00		IP-122 R=60.00		IP-123 R=20.00		IP-124 R=80.00		IP-125 R=60.00		IP-126 R=60.00												
	RIGHT	LEFT	RIGHT	LEFT	RIGHT	LEFT	RIGHT	LEFT	RIGHT	LEFT	RIGHT	LEFT	RIGHT	LEFT	RIGHT	LEFT	RIGHT	LEFT	RIGHT	LEFT											
DESIGN LEVEL(m)	599.571	599.536	599.502	599.468	599.433	599.399	599.365	599.330	599.296	599.262	599.227	599.193	599.159	599.124	599.090	599.056	599.021	598.987	598.953	598.919	598.884	598.850	598.816	598.781	598.747	598.713	598.678	598.644	598.610	598.575	598.541
EXISTING LEVEL(m)	598.403	598.436	598.601	598.749	598.836	598.900	598.915	598.822	598.799	598.794	598.800	598.766	598.780	598.848	598.822	598.763	598.500	598.453	598.403	598.324	598.242	598.230	598.336	598.292	598.166	598.037	597.898	597.826	597.820	597.919	597.973
CHAINAGE(Km)	7+200	7+210	7+220	7+230	7+240	7+250	7+260	7+270	7+280	7+290	7+300	7+310	7+320	7+330	7+340	7+350	7+360	7+370	7+380	7+390	7+400	7+410	7+420	7+430	7+440	7+450	7+460	7+470	7+480	7+490	7+500

Government of Nepal
Ministry of Federal Affairs and General Administration
Department of Local Infrastructure (DoLI)
Rural Connectivity Improvement Project-phase 2
(DoLI/RCIP/DPR-04/2019)

CONSULTANT:
ITECO - INCLUSIVE JV
Sitapaila Chowk, Ring Road

ROAD NAME :
Bijauri-Basdabara-Jmuni-Laxmipur-
Dakchin-Kurariya-Kanjawar-Kothari
Road
Dang District

DATE

REVISION

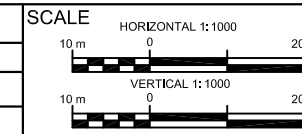
SIGNATURE

DESIGNED BY :

DRAWN BY :

CHECKED BY :

APPROVED BY :



Plan & Profile

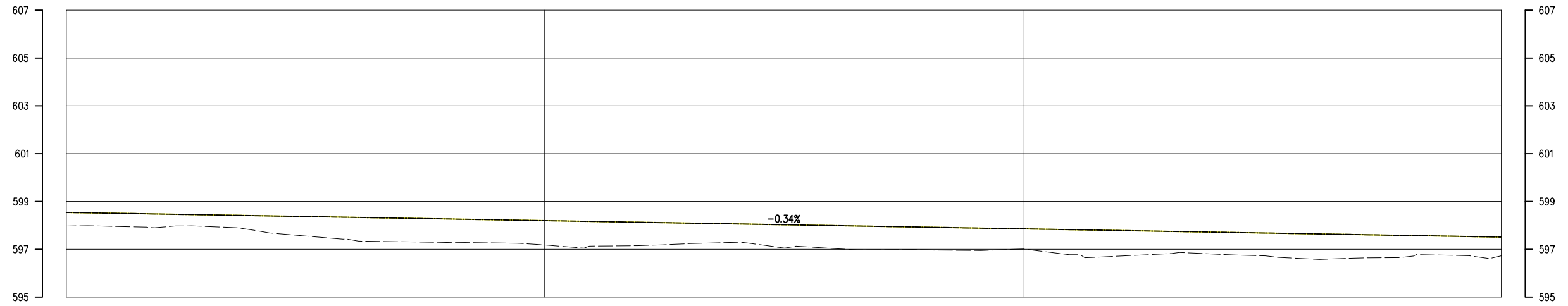
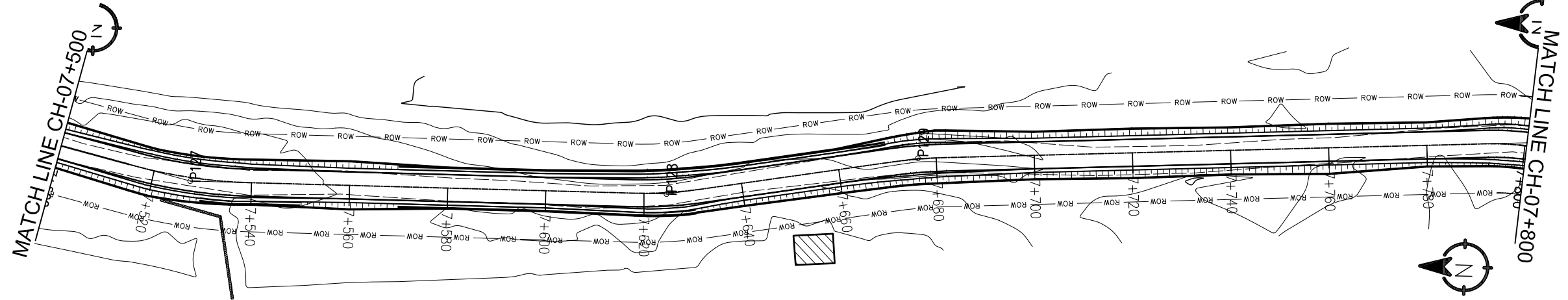
7+200-7+500

DATE: March 2022

DRG NO : RCIP2/DNG/BBJ/PP

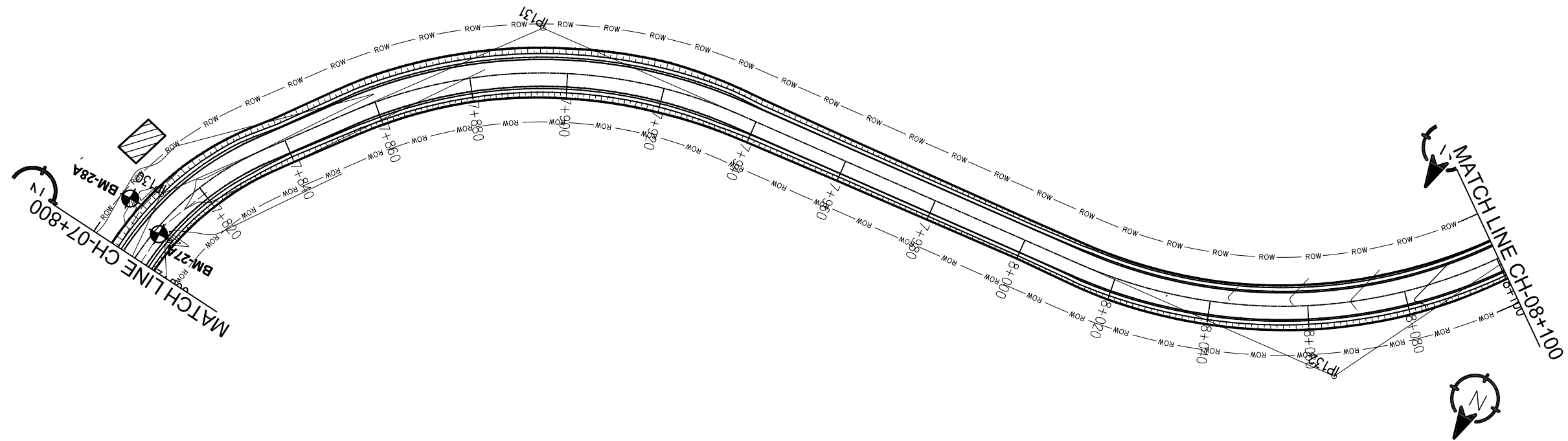
SHEET NO : 25

IP No.	CO-ORDINATES(m)		WCB (D-M-S)	DIST. (m)	DEF. ANG. (D-M-S)	TAN. LEN. (m)	SIMPLE CURVE DATA			CHAINAGE			
	EASTING	NORTHING					R (m)	E (m)	LC (m)	BC	MC	EC	IP
126	628071.102	3105570.062	193-38-0.30	27.094	19-36-42.74	10.370	60.000	0.890	20.538	7+471.486	7+481.755	7+492.024	7+481.856
127	628060.263	3105525.373	179-56-57.25	45.985	13-41-3.05	11.999	100.000	0.717	23.883	7+515.639	7+527.581	7+539.523	7+527.638
128	628060.349	3105428.307	170-17-38.17	97.066	09-39-19.08	6.757	80.000	0.285	13.481	7+617.833	7+624.574	7+631.315	7+624.590
129	628069.073	3105377.302	176-55-34.11	51.746	06-37-55.94	5.794	100.000	0.168	11.575	7+670.509	7+676.297	7+682.085	7+676.304
130	628076.482	3105239.333	218-25-28.26	138.168	41-29-54.15	22.731	60.000	4.161	43.457	7+791.727	7+813.456	7+835.184	7+814.458

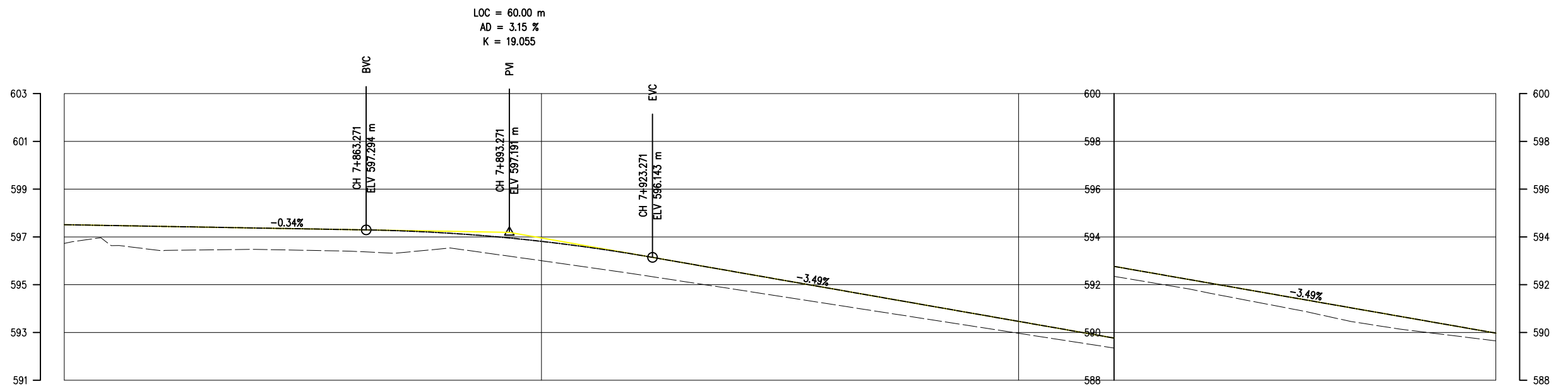


HORIZONTAL ALIGNMENT	RIGHT																														
	LEFT																														
DESIGN LEVEL(m)	598.541	598.507	598.472	598.438	598.404	598.369	598.335	598.301	598.266	598.232	598.198	598.163	598.129	598.095	598.060	598.026	597.992	597.957	597.923	597.889	597.854	597.820	597.786	597.751	597.717	597.683	597.648	597.614	597.580	597.545	597.511
EXISTING LEVEL(m)	597.973	597.958	597.925	597.947	597.771	597.556	597.379	597.315	597.281	597.265	597.180	597.132	597.157	597.235	597.291	597.053	597.037	596.977	596.972	596.951	597.013	596.774	596.715	596.812	596.800	596.730	596.595	596.631	596.683	596.747	596.728
CHAINAGE(Km)	7+500	7+510	7+520	7+530	7+540	7+550	7+560	7+570	7+580	7+590	7+600	7+610	7+620	7+630	7+640	7+650	7+660	7+670	7+680	7+690	7+700	7+710	7+720	7+730	7+740	7+750	7+760	7+770	7+780	7+790	7+800

Government of Nepal Ministry of Federal Affairs and General Administration Department of Local Infrastructure (DoLI) Rural Connectivity Improvement Project-phase 2 (DoLI/RCIP/DPR-04/2019)	CONSULTANT: ITECO - INCLUSIVE JV Sitapaila Chowk, Ring Road	ROAD NAME : Bijauri-Basdabara-Jmuni-Laxmipur- Dakchin-Kurariya-Kanjawar-Kothari Road Dang District	DATE	REVISION	SIGNATURE	DESIGNED BY :	SCALE HORIZONTAL 1:1000 VERTICAL 1:1000 	Plan & Profile 7+500-7+800	DATE: March 2022
						DRAWN BY :			DRG NO : RCIP2/DNG/BBJ/PP
						CHECKED BY :			SHEET NO : 26
						APPROVED BY :			



IP No.	CO-ORDINATES(m)		WCB (D-M-S)	DIST. (m)	DEF. ANG. (D-M-S)	TAN. LEN. (m)	SIMPLE CURVE DATA			CHANNAGE			
	EASTING	NORTHING					R (m)	E (m)	LC (m)	BC	MC	EC	IP
130	628076.482	3105239.333	218-25-28.26	138.168	41-29-54.15	22.731	60.000	4.161	43.457	7+791.727	7+813.456	7+835.184	7+814.458
131	628023.634	3105172.714	285-41-10.32	85.035	47-15-42.06	43.753	100.000	9.153	82.487	7+853.736	7+894.979	7+936.223	7+897.489
132	627947.596	3105159.435	207-58-6.69	176.538	57-43-3.63	57.314	104.000	14.747	104.766	8+011.694	8+064.077	8+116.460	8+069.008



HORIZONTAL ALIGNMENT	RIGHT		LEFT		IP-130 R=60.00										IP-131 R=100.00										IP-132 R=104.00										
	CH	ELV	CH	ELV	7+800	7+810	7+820	7+830	7+840	7+850	7+860	7+870	7+880	7+890	7+900	7+910	7+920	7+930	7+940	7+950	7+960	7+970	7+980	7+990	8+000	8+010	8+020	8+030	8+040	8+050	8+060	8+070	8+080	8+090	8+100
DESIGN LEVEL(m)					597.511	597.477	597.443	597.408	597.374	597.340	597.305	597.259	597.163	597.015	596.814	596.561	596.255	595.908	595.559	595.210	594.861	594.512	594.162	593.813	593.464	593.115	592.766	592.416	592.067	591.718	591.369	591.020	590.670	590.321	589.972
EXISTING LEVEL(m)					596.728	596.635	596.429	596.457	596.479	596.441	596.403	596.329	596.519	596.283	596.005	595.719	595.434	595.129	594.823	594.514	594.204	593.894	593.585	593.275	592.965	592.657	592.348	592.012	591.646	591.264	590.882	590.448	590.137	589.893	589.649
CHAINAGE(Km)					7+800	7+810	7+820	7+830	7+840	7+850	7+860	7+870	7+880	7+890	7+900	7+910	7+920	7+930	7+940	7+950	7+960	7+970	7+980	7+990	8+000	8+010	8+020	8+030	8+040	8+050	8+060	8+070	8+080	8+090	8+100

Government of Nepal
Ministry of Federal Affairs and General Administration
Department of Local Infrastructure (DoLI)
Rural Connectivity Improvement Project-phase 2
(DoLI/RCIP/DPR-04/2019)

CONSULTANT:
ITECO - INCLUSIVE JV
Sitapaila Chowk, Ring Road

ROAD NAME :
Bijauri-Basdabara-Jmuni-Laxmipur-
Dakchin-Kurariya-Kanjawar-Kothari
Road
Dang District

DATE

REVISION

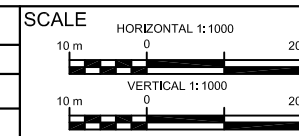
SIGNATURE

DESIGNED BY :

DRAWN BY :

CHECKED BY :

APPROVED BY :



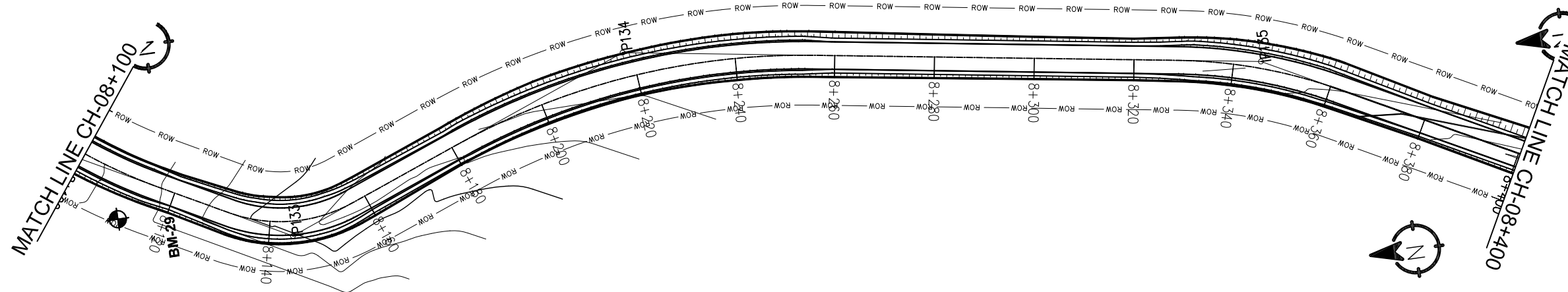
Plan & Profile

7+800-8+100

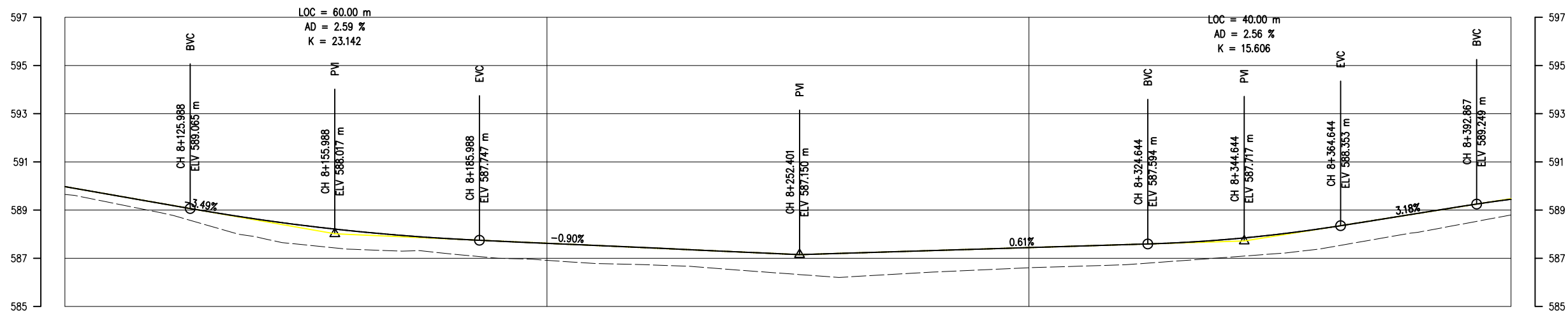
DATE: March 2022

DRG NO : RCIP2/DNG/BBJ/PP

SHEET NO : 27



IP No.	CO-ORDINATES(m)		WCB (D-M-S)	DIST. (m)	DEF. ANG. (D-M-S)	TAN. LEN. (m)	SIMPLE CURVE DATA			CHANGAGE			
	EASTING	NORTHING					R (m)	E (m)	LC (m)	BC	MC	EC	IP
132	627847.596	3105156.435	207-58-6.69	176.538	57-43-3.63	57.314	104.000	14.747	104.766	8+011.694	8+064.077	8+116.460	8+088.008
133	627807.229	3105083.415	158-55-28.50	86.073	49-02-38.20	13.686	30.000	2.974	25.679	8+131.534	8+144.373	8+157.213	8+145.219
134	627834.428	3105012.837	188-48-58.74	75.638	29-53-30.24	38.172	143.000	5.007	74.604	8+180.993	8+218.295	8+255.597	8+219.165
135	627814.804	3104886.312	207-39-51.62	128.038	18-50-52.88	16.598	100.000	1.368	32.896	8+328.865	8+345.313	8+361.781	8+345.463
136	627776.610	3104813.453	195-57-19.87	82.263	11-42-31.75	10.254	100.000	0.524	20.436	8+417.173	8+427.391	8+437.609	8+427.428



HORIZONTAL ALIGNMENT	RIGHT		LEFT		IP-134 R=143.00										IP-135 R=100.00																
					IP-132 R=104.00		IP-133 R=30.00																								
DESIGN LEVEL(m)	589.972	589.623	589.274	588.928	588.618	588.351	588.127	587.946	587.809	587.711	587.621	587.531	587.441	587.351	587.262	587.172	587.197	587.258	587.320	587.381	587.443	587.504	587.566	587.636	587.764	587.956	588.212	588.523	588.841	589.158	589.446
EXISTING LEVEL(m)	589.649	589.287	588.885	588.343	587.874	587.552	587.369	587.297	587.182	586.997	586.912	586.781	586.736	586.663	586.505	586.358	586.212	586.312	586.426	586.517	586.608	586.669	586.730	586.876	587.022	587.172	587.375	587.724	588.063	588.425	588.796
CHAINAGE(Km)	8+100	8+110	8+120	8+130	8+140	8+150	8+160	8+170	8+180	8+190	8+200	8+210	8+220	8+230	8+240	8+250	8+260	8+270	8+280	8+290	8+300	8+310	8+320	8+330	8+340	8+350	8+360	8+370	8+380	8+390	8+400

Government of Nepal
Ministry of Federal Affairs and General Administration
Department of Local Infrastructure (DoLI)
Rural Connectivity Improvement Project-phase 2
(DoLI/RCIP/DPR-04/2019)

CONSULTANT:
ITECO - INCLUSIVE JV
Sitapaila Chowk, Ring Road

ROAD NAME :
Bijauri-Basdabara-Jmuni-Laxmipur-
Dakchin-Kurariya-Kanjawar-Kothari
Road
Dang District

DATE

REVISION

SIGNATURE

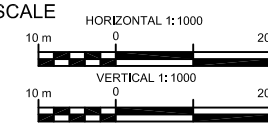
DESIGNED BY :

DRAWN BY :

CHECKED BY :

APPROVED BY :

SCALE



Plan & Profile

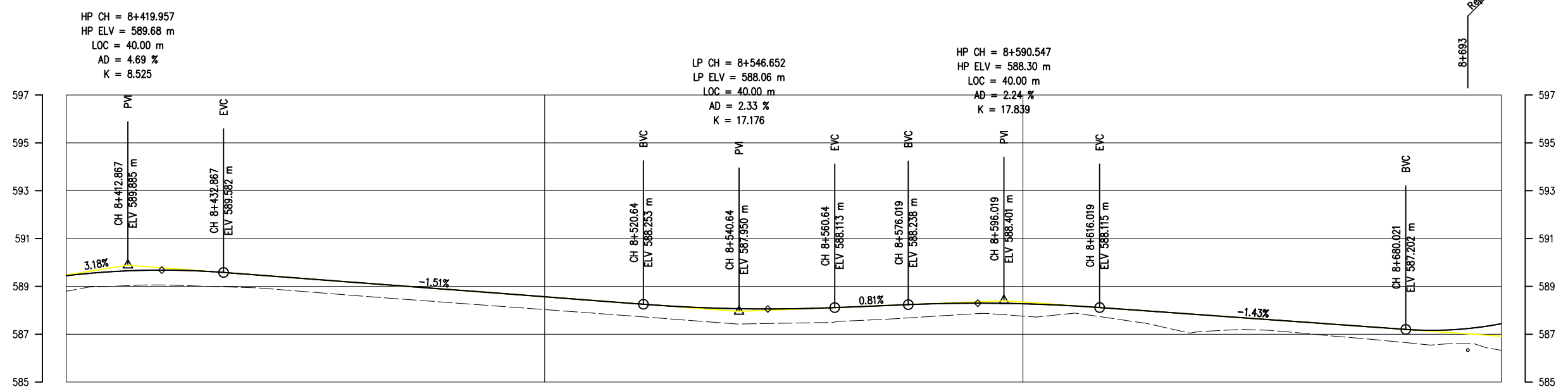
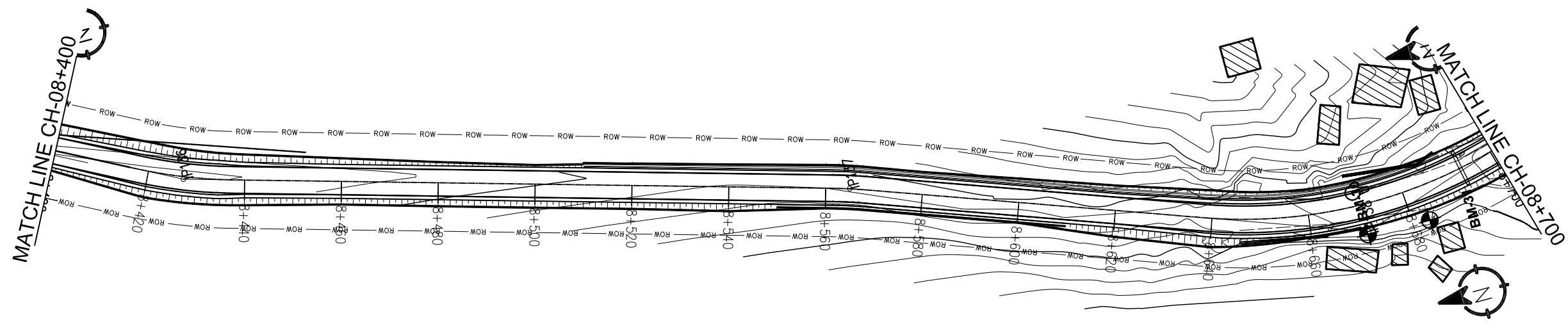
8+100-8+400

DATE: March 2022

DRG NO : RCI2/DNG/BBJ/PP

SHEET NO : 28

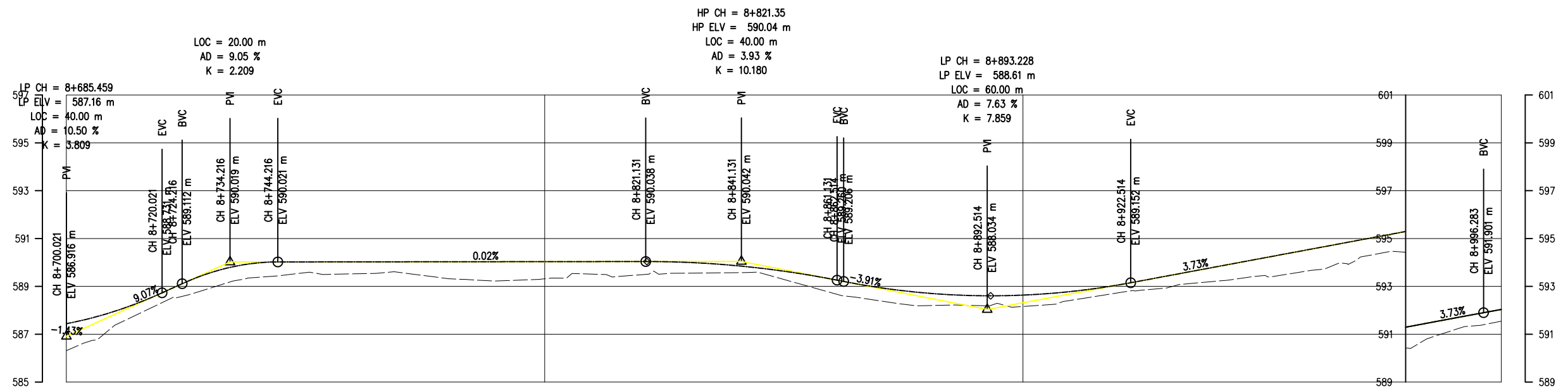
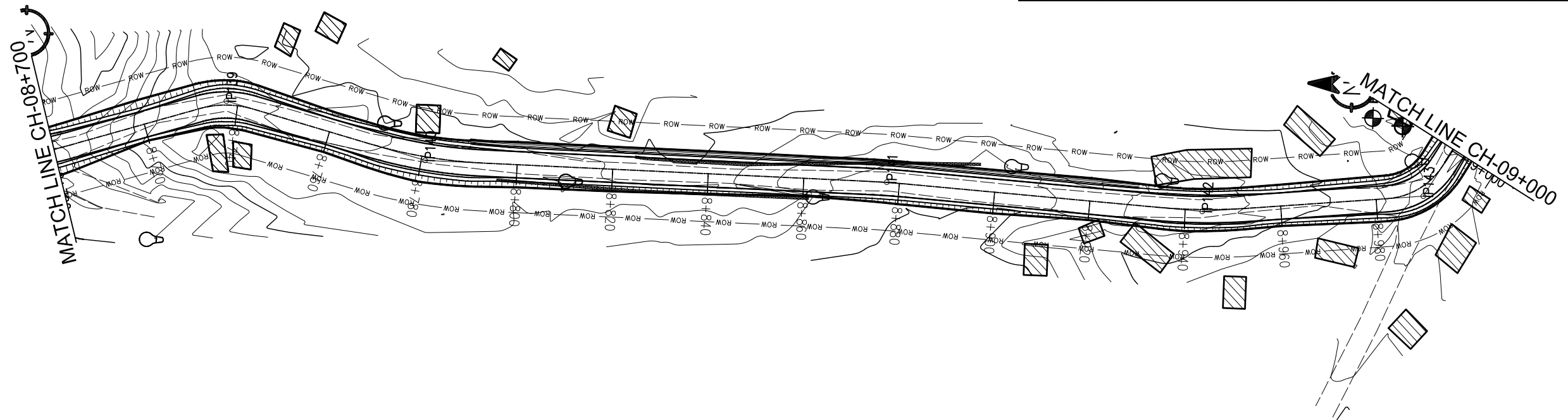
IP No.	CO-ORDINATES(m)		WCB (D-M-S)	DIST. (m)	DEF. ANG. (D-M-S)	TAN LEN. (m)	SIMPLE CURVE DATA			CHAINAGE			
	EASTING	NORTHING					R (m)	E (m)	LC (m)	BC	MC	EC	IP
136	627776.610	3104813.453	195-57-19.87	82.263	11-42-31.75	10.254	100.000	0.524	20.436	8+417.173	8+427.391	8+437.609	8+427.426
137	627738.781	3104681.140	199-52-2.68	137.615	03-54-42.81	3.415	100.000	0.058	6.828	8+561.354	8+564.968	8+568.382	8+564.970
138	627702.244	3104580.028	162-07-24.81	107.511	37-44-37.87	34.183	100.000	5.681	65.675	8+636.295	8+671.233	8+704.170	8+672.478



HORIZONTAL ALIGNMENT	RIGHT		LEFT																												
	RIGHT	LEFT	RIGHT	LEFT																											
DESIGN LEVEL(m)	589.446	589.622	589.680	589.621	589.474	589.323	589.171	589.020	588.868	588.717	588.565	588.414	588.263	588.137	588.069	588.059	588.108	588.189	588.266	588.297	588.272	588.191	588.059	587.916	587.773	587.630	587.487	587.345	587.202	587.190	587.440
EXISTING LEVEL(m)	588.796	589.009	589.061	589.000	588.938	588.780	588.622	588.471	588.325	588.178	588.031	587.884	587.734	587.582	587.431	587.459	587.494	587.613	587.732	587.857	587.758	587.866	587.621	587.264	587.142	587.174	587.016	586.835	586.650	586.602	586.327
CHAINAGE(Km)	8+400	8+410	8+420	8+430	8+440	8+450	8+460	8+470	8+480	8+490	8+500	8+510	8+520	8+530	8+540	8+550	8+560	8+570	8+580	8+590	8+600	8+610	8+620	8+630	8+640	8+650	8+660	8+670	8+680	8+690	8+700

Replace FPC By 60cm Dia. PC
 8+693

IP No.	CO-ORDINATES(m)		WB (0-M-S)	DIST. (m)	DEF. ANG. (0-M-S)	TAN. LEN. (m)	SIMPLE CURVE DATA			CHANGAGE			
	EASTING	NORTHING					R (m)	E (m)	LC (m)	BC	MC	EC	IP
138	627702.244	3104580.028	162-07-24.81	107.511	37-44-37.87	34.183	100.000	5.681	65.675	8+638.295	8+671.233	8+704.170	8+672.478
139	627723.067	3104515.468	184-23-56.96	67.835	32-16-32.15	5.787	20.000	0.820	11.266	8+732.035	8+737.669	8+743.302	8+737.822
140	627712.288	3104473.484	180-31-50.73	43.346	13-52-6.23	12.162	100.000	0.737	24.205	8+768.698	8+780.801	8+792.903	8+780.860
141	627711.393	3104376.871	183-06-18.44	96.617	02-34-27.71	4.494	200.000	0.050	8.986	8+872.865	8+877.358	8+881.851	8+877.359
142	627707.805	3104310.730	173-52-45.37	66.238	09-13-33.07	9.682	120.000	0.390	19.323	8+933.913	8+943.574	8+953.236	8+943.595
143	627712.745	3104284.663	120-19-53.92	46.331	53-32-51.45	7.566	15.000	1.801	14.019	8+982.316	8+989.326	8+996.335	8+989.885



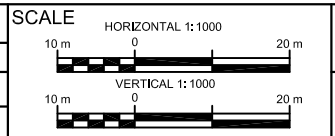
HORIZONTAL ALIGNMENT	RIGHT		LEFT		IP-139		IP-140		IP-141		IP-142		IP-143																		
	R=20.00		R=100.00		R=100.00		R=200.00		R=120.00		R=15.00																				
DESIGN LEVEL(m)	587.440	587.953	588.729	589.561	589.980	590.022	590.025	590.027	590.029	590.031	590.033	590.035	590.037	590.001	589.867	589.635	589.304	588.949	588.718	588.613	588.635	588.785	589.062	589.431	589.803	590.176	590.549	590.921	591.294	591.667	592.034
EXISTING LEVEL(m)	586.327	587.355	588.320	588.922	589.379	589.574	589.524	589.575	589.320	589.227	589.317	589.512	589.484	589.553	589.574	589.290	588.730	588.398	588.197	588.201	588.160	588.417	588.734	588.931	589.210	589.446	589.662	590.142	590.427	591.175	591.545
CHAINAGE(Km)	8+700	8+710	8+720	8+730	8+740	8+750	8+760	8+770	8+780	8+790	8+800	8+810	8+820	8+830	8+840	8+850	8+860	8+870	8+880	8+890	8+900	8+910	8+920	8+930	8+940	8+950	8+960	8+970	8+980	8+990	9+000

Government of Nepal
 Ministry of Federal Affairs and General Administration
 Department of Local Infrastructure (DoLI)
Rural Connectivity Improvement Project-phase 2
 (DoLI/RCIP/DPR-04/2019)

CONSULTANT:
ITECO - INCLUSIVE JV
 Sitapaila Chowk, Ring Road

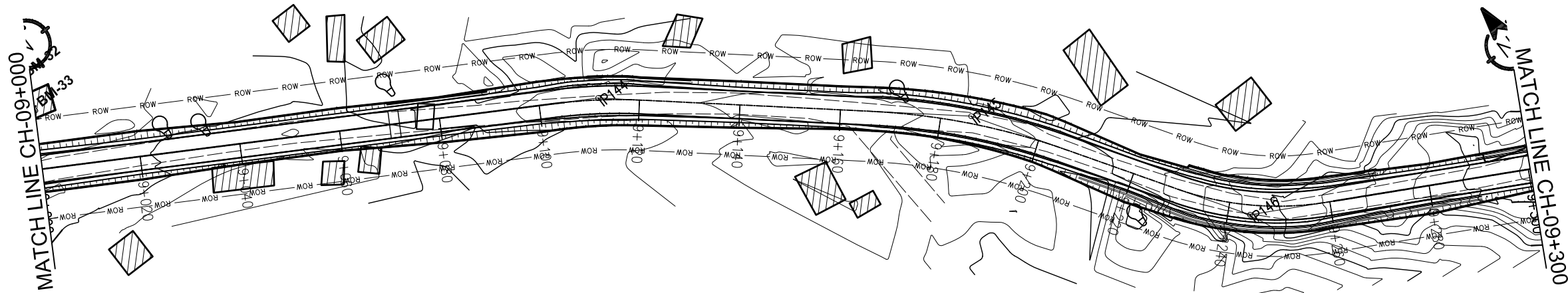
ROAD NAME:
 Bijauri-Basdabara-Jmuni-Laxmipur-
 Dakchin-Kurariya-Kanjawar-Kothari
 Road
 Dang District

DATE: _____ REVISION: _____ SIGNATURE: _____
 DESIGNED BY: _____ DRAWN BY: _____
 CHECKED BY: _____ APPROVED BY: _____

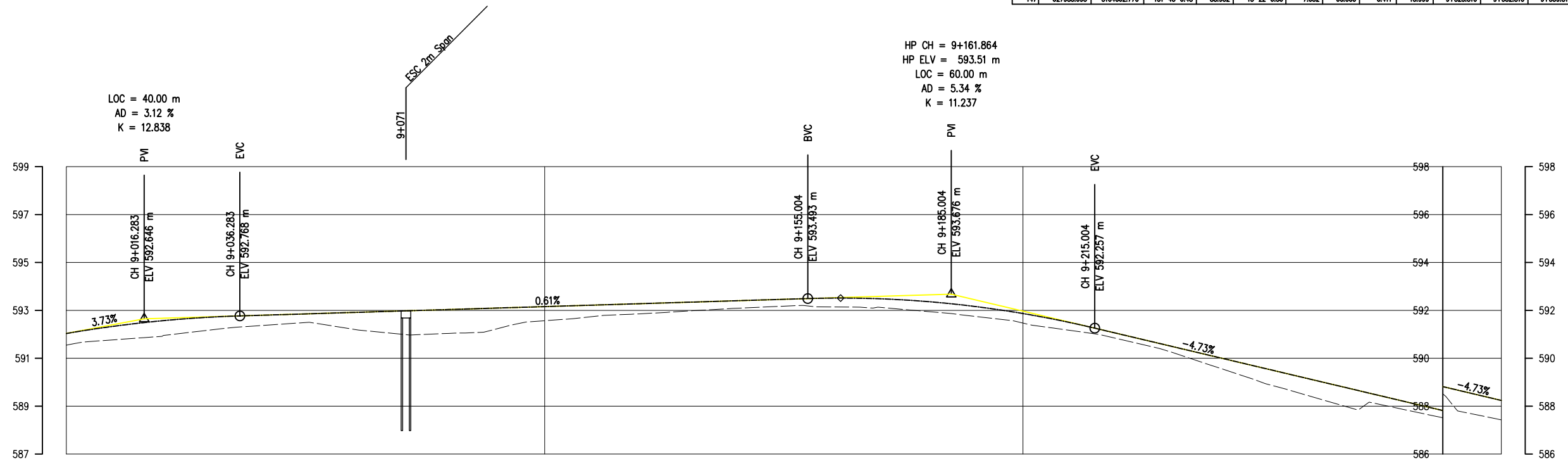


Plan & Profile
8+700-9+000

DATE: March 2022
 DRG NO: RCIP2/DNG/BBJ/PP
 SHEET NO: **30**

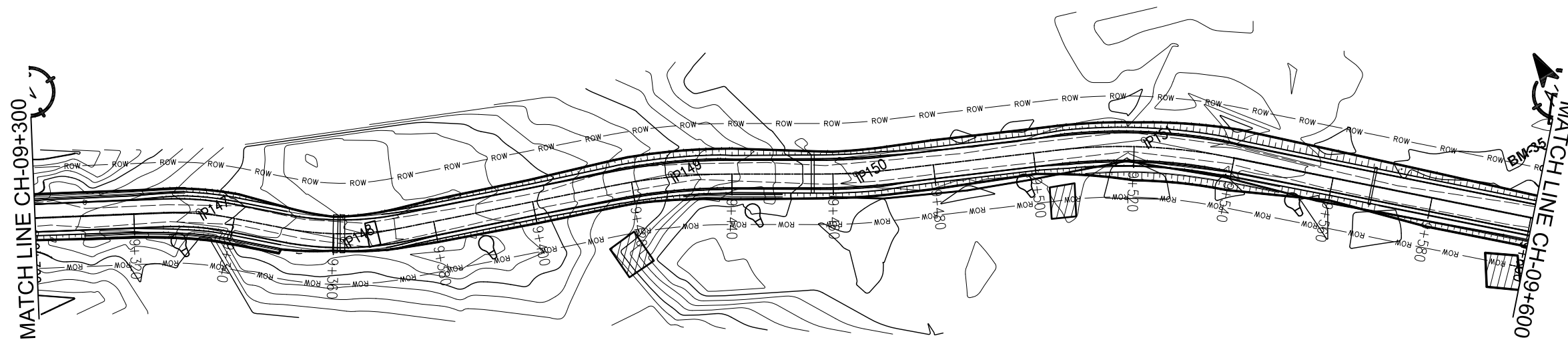


IP No.	CO-ORDINATES(m)		WCB (D-M-S)	DIST. (m)	DEF. ANG. (D-M-S)	TAN. LEN. (m)	SIMPLE CURVE DATA			CHAINAGE			
	EASTING	NORTHING					R (m)	E (m)	LC (m)	BC	MC	EC	IP
143	627712.745	3104264.663	120-19-53.92	46.331	53-32-51.45	7.568	15.000	1.201	14.019	8+962.318	8+989.326	8+998.335	8+989.685
144	627818.657	3104202.510	130-24-44.70	123.086	10-04-50.78	8.820	100.000	0.388	17.594	8+103.003	8+111.800	8+120.597	8+111.823
145	627875.500	3104154.378	147-06-40.55	74.262	18-41-55.84	19.813	135.000	1.446	39.346	8+166.228	8+185.899	8+205.572	8+186.039
146	627907.428	3104105.000	118-20-58.91	58.860	28-45-40.63	15.384	80.000	1.941	30.119	8+229.175	8+244.234	8+259.294	8+244.559
147	627885.695	3104082.770	131-43-6.48	88.932	15-22-6.56	7.032	60.000	0.411	13.999	8+325.810	8+332.810	8+339.810	8+332.842

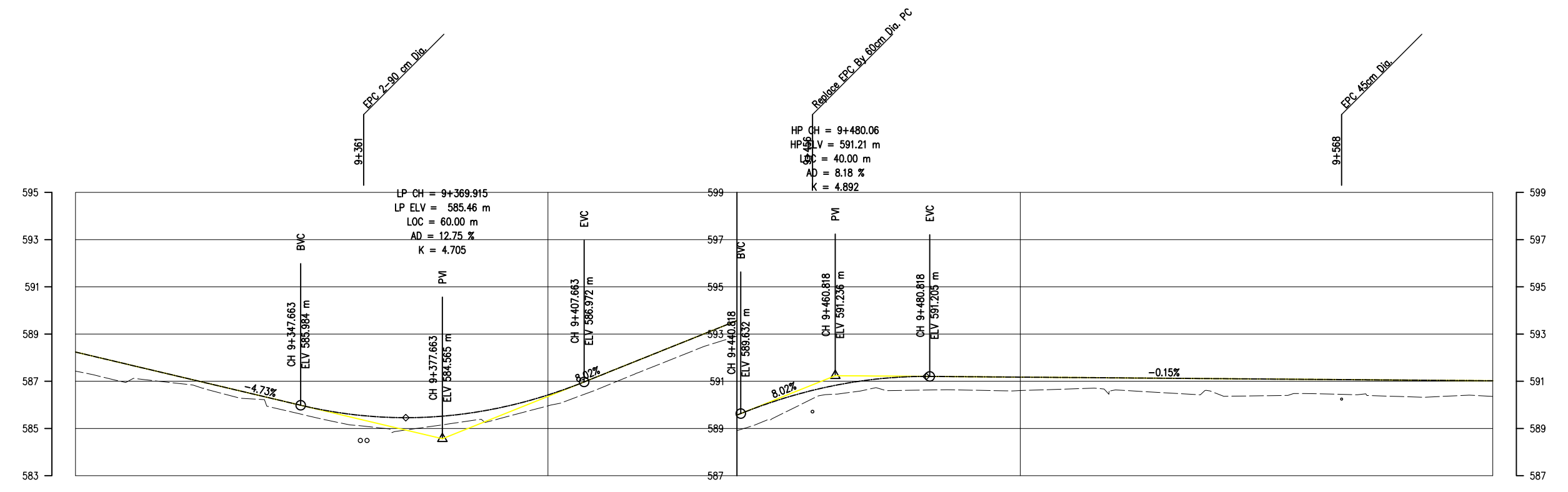


HORIZONTAL ALIGNMENT	RIGHT																														
	LEFT																														
DESIGN LEVEL(m)	592.034	592.339	592.565	592.714	592.791	592.852	592.913	592.974	593.035	593.096	593.157	593.218	593.279	593.340	593.401	593.462	593.512	593.484	593.367	593.162	592.867	592.463	592.021	591.548	591.075	590.602	590.129	589.656	589.184	588.711	588.238
EXISTING LEVEL(m)	591.545	591.772	591.916	592.178	592.356	592.493	592.210	592.006	592.040	592.229	592.567	592.741	592.857	592.976	593.088	593.175	593.143	593.128	592.952	592.746	592.468	592.158	591.805	591.319	590.662	589.989	589.417	588.840	588.844	588.008	587.428
CHAINAGE(Km)	9+000	9+010	9+020	9+030	9+040	9+050	9+060	9+070	9+080	9+090	9+100	9+110	9+120	9+130	9+140	9+150	9+160	9+170	9+180	9+190	9+200	9+210	9+220	9+230	9+240	9+250	9+260	9+270	9+280	9+290	9+300

Government of Nepal Ministry of Federal Affairs and General Administration Department of Local Infrastructure (DoLI) Rural Connectivity Improvement Project-phase 2 (DoLI/RCIP/DPR-04/2019)	CONSULTANT:	ROAD NAME:	DATE	REVISION	SIGNATURE	DESIGNED BY :	SCALE HORIZONTAL 1:1000 VERTICAL 1:1000	Plan & Profile 9+000-9+300	DATE: March 2022
	ITECO - INCLUSIVE JV Sitapaila Chowk, Ring Road	Bijauri-Basdabara-Jmuni-Laxmipur- Dakchin-Kurariya-Kanjawar-Kothari Road Dang District				DRAWN BY :			DRG NO : RCIP2/DNG/BBJ/PP
						CHECKED BY :			SHEET NO :
						APPROVED BY :			31



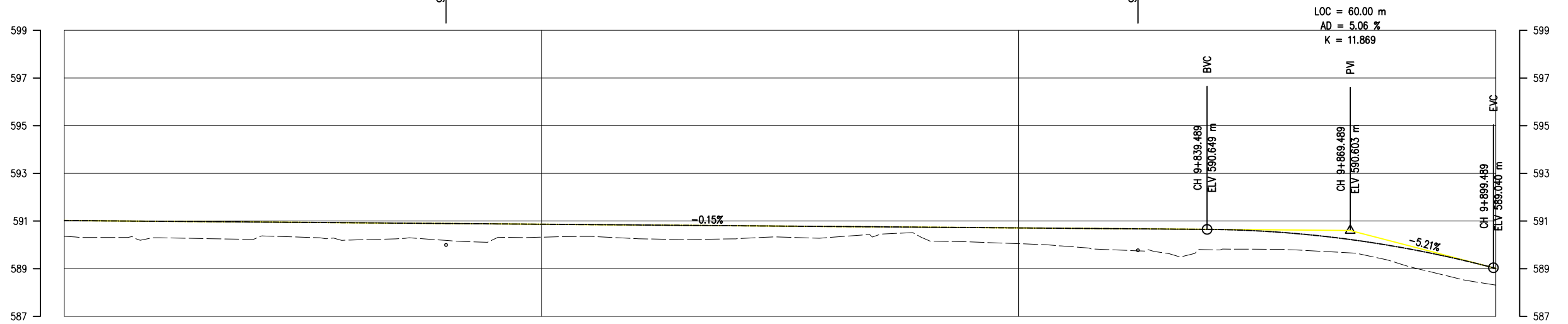
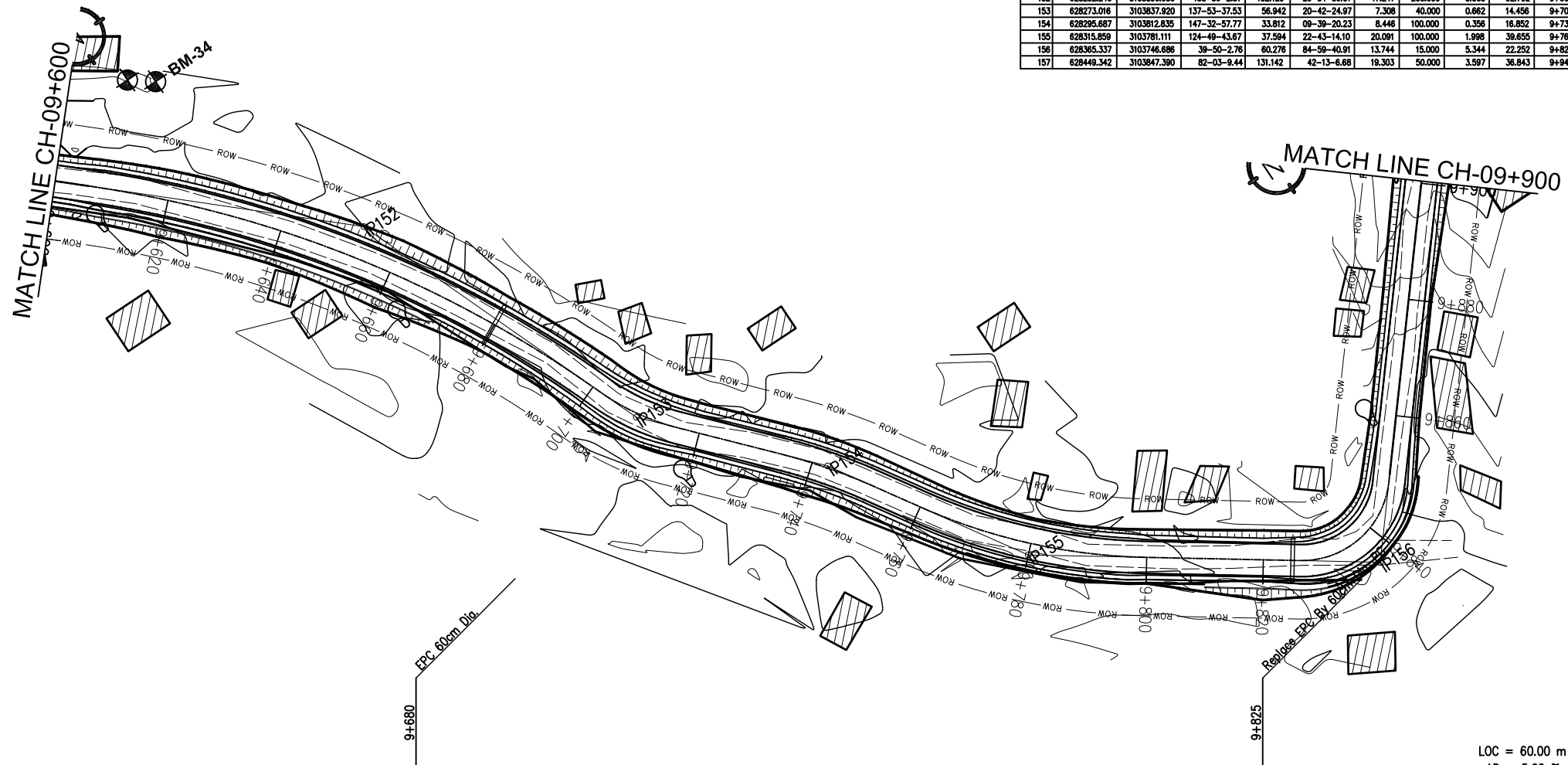
IP No.	CO-ORDINATES(m)		WCB (0-M-S)	DIST. (m)	DEF. ANG. (D-M-S)	TAN. LEN. (m)	SIMPLE CURVE DATA			CHAINAGE			
	EASTING	NORTHING					R (m)	E (m)	LC (m)	BC	MC	EC	IP
147	627985.695	3104062.770	131-43-6.48	88.932	13-22-6.56	7.032	60.000	0.411	13.999	9+325.810	9+332.810	9+339.810	9+332.842
148	628007.483	3104043.345	109-21-31.03	29.190	22-21-35.45	11.858	60.000	1.161	23.415	9+350.109	9+361.817	9+373.525	9+361.968
149	628069.983	3104021.366	120-40-37.47	66.245	11-19-6.44	11.891	120.000	0.588	23.705	9+416.020	9+427.873	9+439.726	9+427.912
150	628101.555	3104002.657	113-54-16.07	36.709	06-46-21.40	7.101	120.000	0.210	14.185	9+457.443	9+464.535	9+471.627	9+464.543
151	628154.076	3103978.378	132-01-3.50	57.449	18-06-47.43	17.534	110.000	1.389	34.775	9+504.442	9+521.829	9+539.217	9+521.976
152	628252.240	3103980.936	158-36-2.51	132.129	26-34-58.01	47.247	200.000	5.505	92.792	9+606.566	9+652.962	9+699.358	9+653.812



HORIZONTAL ALIGNMENT	RIGHT		CHAINAGE(Km)																														
	LEFT	RIGHT	9+300	9+310	9+320	9+330	9+340	9+350	9+360	9+370	9+380	9+390	9+400	9+410	9+420	9+430	9+440	9+450	9+460	9+470	9+480	9+490	9+500	9+510	9+520	9+530	9+540	9+550	9+560	9+570	9+580	9+590	9+600
DESIGN LEVEL(m)			588.238	587.765	587.292	586.819	586.346	585.879	585.562	585.458	585.566	585.886	586.419	587.159	587.961	588.764	589.566	590.282	590.794	591.102	591.206	591.191	591.175	591.160	591.144	591.129	591.113	591.098	591.082	591.067	591.051	591.036	591.020
EXISTING LEVEL(m)			587.428	586.976	586.948	586.538	586.218	585.499	585.120	584.937	585.221	585.430	585.959	586.619	587.435	588.232	588.909	589.666	590.446	590.896	590.628	590.620	590.605	590.671	590.627	590.519	590.596	590.383	590.478	590.435	590.356	590.365	590.355

Government of Nepal Ministry of Federal Affairs and General Administration Department of Local Infrastructure (DoLI) Rural Connectivity Improvement Project-phase 2 (DoLI/RCIP/DPR-04/2019)	CONSULTANT: ITECO - INCLUSIVE JV Sitapaila Chowk, Ring Road	ROAD NAME : Bijauri-Basdabara-Jmuni-Laxmipur- Dakchin-Kurariya-Kanjawar-Kothari Road Dang District	DATE	REVISION	SIGNATURE	DESIGNED BY :	SCALE 	Plan & Profile 9+300-9+600	DATE: March 2022
						DRAWN BY :			DRG NO : RCIP2/DNG/BBJ/PP
						CHECKED BY :			SHEET NO :
						APPROVED BY :			32

IP No.	CO-ORDINATES(m)		WBS (D-M-S)	DST. (m)	DEF. ANG. (D-M-S)	TAN. LEN. (m)	SIMPLE CURVE DATA			CHAINAGE			
	EASTING	NORTHING					R (m)	E (m)	LC (m)	BC	MC	EC	IP
152	628252.240	3103890.936	158-36-2.51	132.129	26-34-59.01	47.247	200.000	5.505	92.792	9+606.566	9+652.962	9+699.358	9+653.812
153	628273.016	3103837.920	137-53-37.53	56.942	20-42-24.97	7.308	40.000	0.662	14.456	9+701.745	9+706.973	9+716.201	9+709.053
154	628295.687	3103812.835	147-32-57.77	33.812	09-39-20.23	8.446	100.000	0.356	16.852	9+734.259	9+742.685	9+751.111	9+742.705
155	628315.859	3103781.111	124-49-43.67	37.594	22-43-14.10	20.091	100.000	1.998	39.655	9+760.168	9+779.995	9+789.823	9+780.259
156	628365.337	3103746.686	39-50-2.76	60.276	84-59-40.91	13.744	15.000	5.344	22.252	9+826.263	9+837.389	9+848.515	9+840.007
157	628449.342	3103847.390	82-03-9.44	131.142	42-13-6.68	19.303	50.000	3.597	36.843	9+946.610	9+965.031	9+983.453	9+965.913



HORIZONTAL ALIGNMENT	RIGHT																																				
	LEFT																																				
			IP-152 R=200.00															IP-153 R=40.00					IP-154 R=100.00					IP-155 R=100.00					IP-156 R=15.00				
DESIGN LEVEL(m)	591.020	591.005	590.989	590.974	590.958	590.943	590.927	590.912	590.897	590.881	590.866	590.850	590.835	590.819	590.804	590.788	590.773	590.757	590.742	590.726	590.711	590.695	590.680	590.664	590.649	590.587	590.440	590.210	589.895	589.496	588.013						
EXISTING LEVEL(m)	590.355	590.311	590.297	590.261	590.262	590.320	590.203	590.257	590.187	590.233	590.322	590.354	590.259	590.224	590.252	590.329	590.307	590.375	590.280	590.122	590.049	589.938	589.790	589.676	589.793	589.818	589.765	589.657	589.198	588.669	588.312						
CHAINAGE(Km)	9+600	9+610	9+620	9+630	9+640	9+650	9+660	9+670	9+680	9+690	9+700	9+710	9+720	9+730	9+740	9+750	9+760	9+770	9+780	9+790	9+800	9+810	9+820	9+830	9+840	9+850	9+860	9+870	9+880	9+890	9+900						

Government of Nepal
Ministry of Federal Affairs and General Administration
Department of Local Infrastructure (DoLI)
Rural Connectivity Improvement Project-phase 2
(DoLI/RCIP/DPR-04/2019)

CONSULTANT:
ITECO - INCLUSIVE JV
Sitapaila Chowk, Ring Road

ROAD NAME :
Bijauri-Basdabara-Jmuni-Laxmipur-
Dakchin-Kurariya-Kanjawar-Kothari
Road
Dang District

DATE

REVISION

SIGNATURE

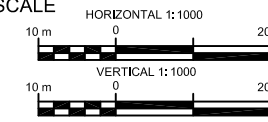
DESIGNED BY :

DRAWN BY :

CHECKED BY :

APPROVED BY :

SCALE



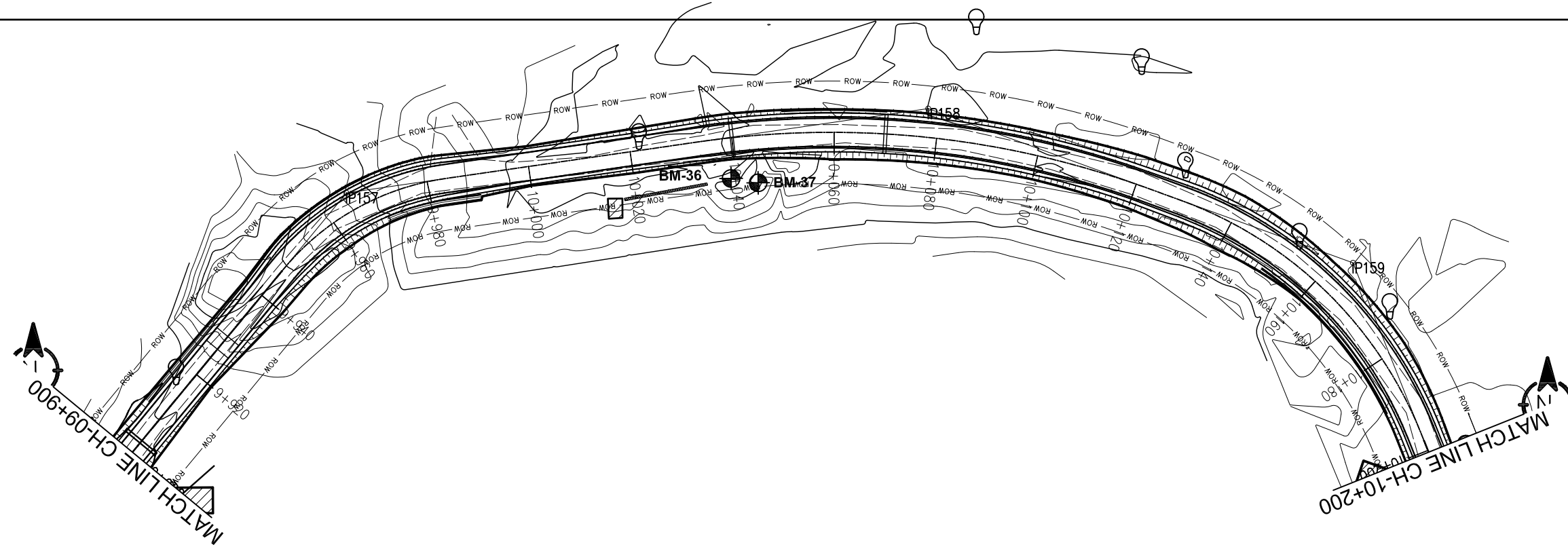
Plan & Profile

9+600-9+900

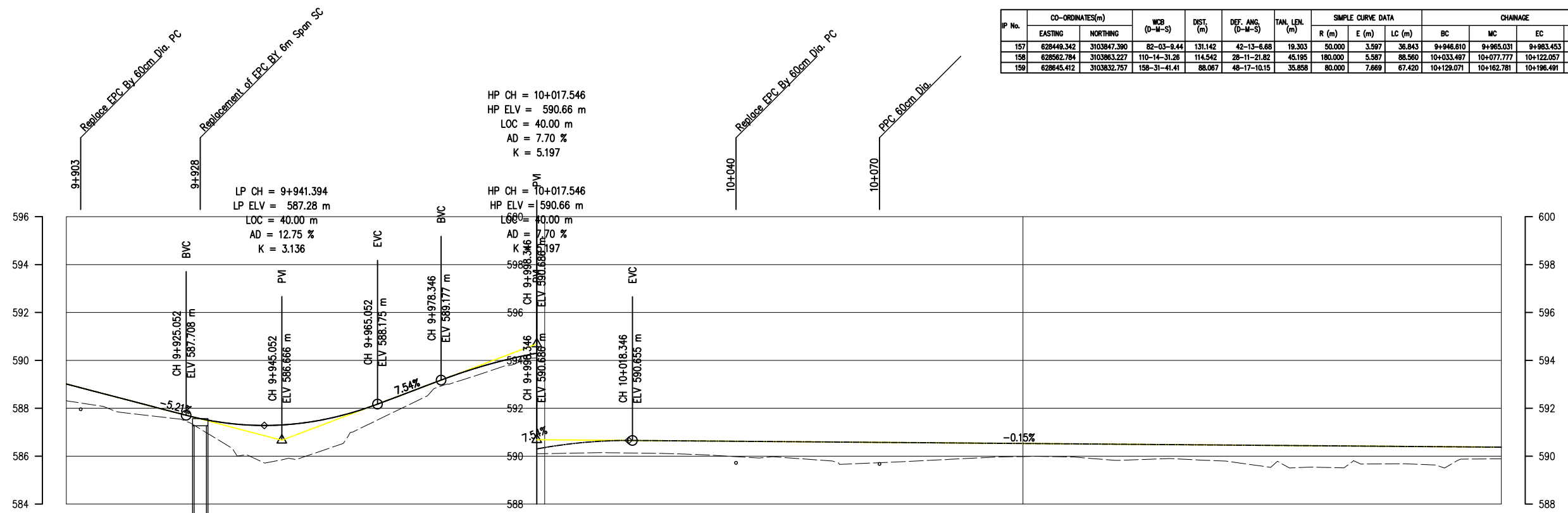
DATE: March 2022

DRG NO : RCIP2/DNG/BBJ/PP

SHEET NO : 33

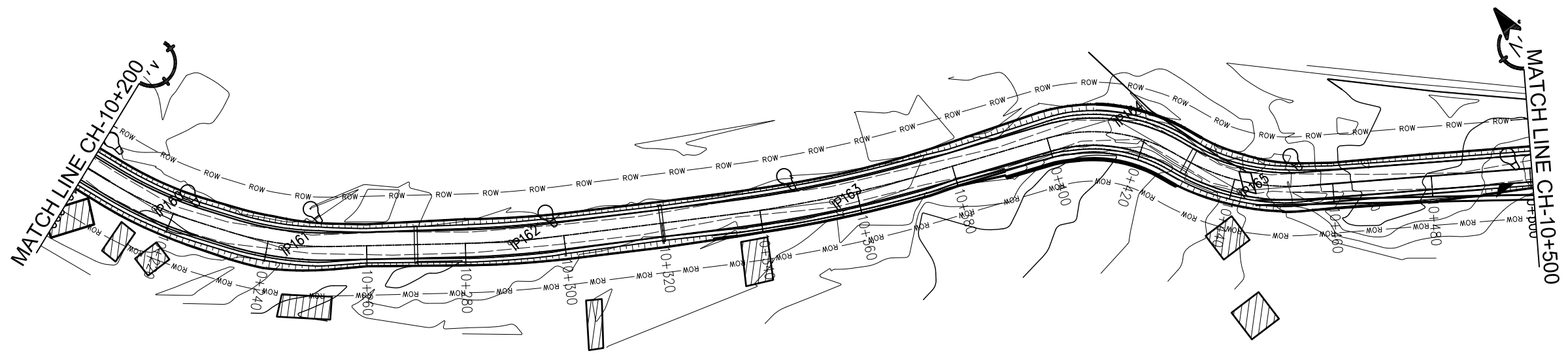


IP No.	CO-ORDINATES(m)		WCB (D-M-S)	DIST. (m)	DEF. ANG. (D-M-S)	TAN. LEN. (m)	SIMPLE CURVE DATA			CHAINAGE			
	EASTING	NORTHING					R (m)	E (m)	LC (m)	BC	MC	EC	IP
157	628449.342	3103847.390	82-03-9.44	131.142	42-13-6.68	19.303	50.000	3.597	36.843	9+946.610	9+965.031	9+983.453	9+985.913
158	628562.784	3103863.227	110-14-31.26	114.542	28-11-21.82	45.195	180.000	5.587	88.560	10+033.497	10+077.777	10+122.057	10+078.692
159	628645.412	3103832.757	158-31-41.41	88.067	48-17-10.15	35.858	80.000	7.669	67.420	10+129.071	10+162.781	10+196.491	10+164.928

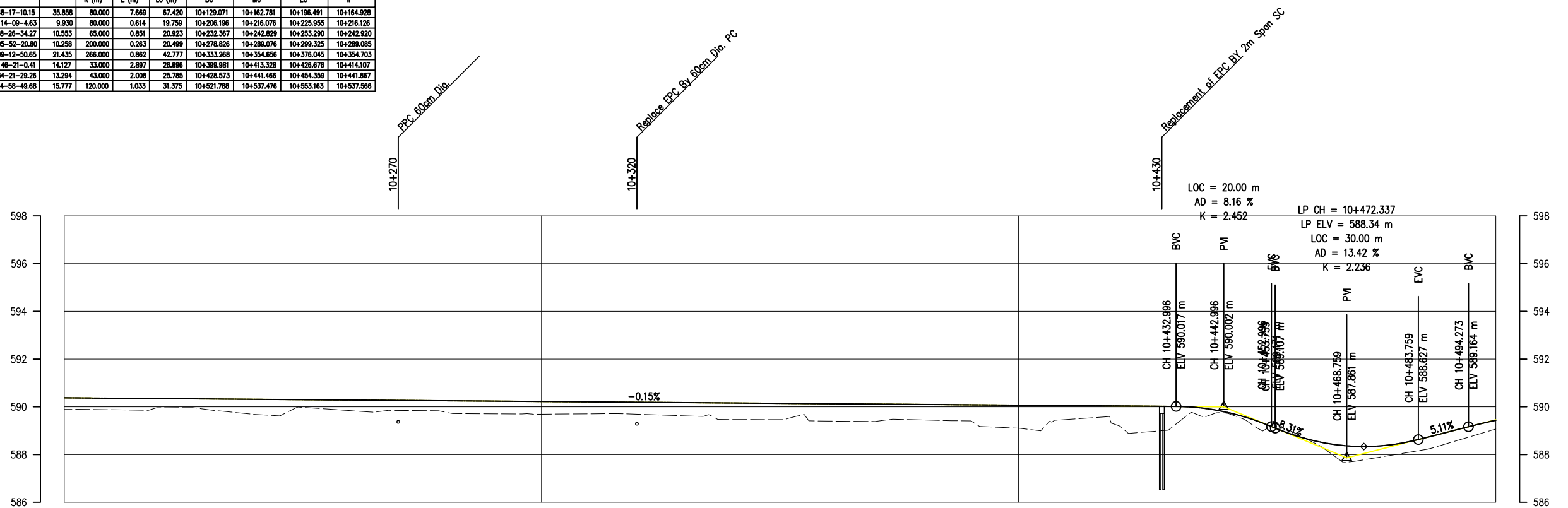


HORIZONTAL ALIGNMENT	RIGHT		LEFT		IP-157 R=50.00										IP-158 R=180.00										IP-159 R=80.00																																																																																																																																																																																		
	RIGHT	LEFT	RIGHT	LEFT	1	2	3	4	5	6	7	8	9	10	11	12	13	14	15	16	17	18	19	20	21	22	23	24	25	26	27	28	29	30	31	32	33	34	35	36	37	38	39	40	41	42	43	44	45	46	47	48	49	50	51	52	53	54	55	56	57	58	59	60	61	62	63	64	65	66	67	68	69	70	71	72	73	74	75	76	77	78	79	80	81	82	83	84	85	86	87	88	89	90	91	92	93	94	95	96	97	98	99	100	101	102	103	104	105	106	107	108	109	110	111	112	113	114	115	116	117	118	119	120	121	122	123	124	125	126	127	128	129	130	131	132	133	134	135	136	137	138	139	140	141	142	143	144	145	146	147	148	149	150	151	152	153	154	155	156	157	158	159	160	161	162	163	164	165	166	167	168	169	170	171	172	173	174	175	176	177	178	179	180	181	182	183	184	185	186	187	188	189	190	191	192	193	194	195	196	197	198	199
DESIGN LEVEL(m)	589.013	588.492	587.971	587.489	587.285	587.400	587.834	588.548	589.300	589.926	590.360	590.601	590.653	590.637	590.622	590.607	590.591	590.576	590.560	590.545	590.530	590.514	590.499	590.483	590.468	590.453	590.437	590.422	590.406	590.391	590.376																																																																																																																																																																												
EXISTING LEVEL(m)	588.312	587.892	587.633	586.894	585.848	585.992	587.021	587.989	589.009	589.657	590.105	590.141	590.128	590.081	589.978	589.943	589.800	589.728	589.821	589.921	589.983	589.966	589.824	589.897	589.814	589.581	589.542	589.729	589.681	589.721	589.890																																																																																																																																																																												
CHAINAGE(Km)	9+900	9+910	9+920	9+930	9+940	9+950	9+960	9+970	9+980	9+990	10+000	10+010	10+020	10+030	10+040	10+050	10+060	10+070	10+080	10+090	10+100	10+110	10+120	10+130	10+140	10+150	10+160	10+170	10+180	10+190	10+200																																																																																																																																																																												

Government of Nepal Ministry of Federal Affairs and General Administration Department of Local Infrastructure (DoLI) Rural Connectivity Improvement Project-phase 2 (DoLI/RCIP/DPR-04/2019)	CONSULTANT:	ROAD NAME:	DATE	REVISION	SIGNATURE	DESIGNED BY :	SCALE HORIZONTAL 1:1000 VERTICAL 1:1000 	Plan & Profile 9+900-10+200	DATE: March 2022
	ITECO - INCLUSIVE JV Sitapaila Chowk, Ring Road	Bijauri-Basdabara-Jmuni-Laxmipur- Dakchin-Kurariya-Kanjawar-Kothari Road Dang District				DRAWN BY :			DRG NO : RCIP2/DNG/BBJ/PP
						CHECKED BY :			SHEET NO :
						APPROVED BY :			34

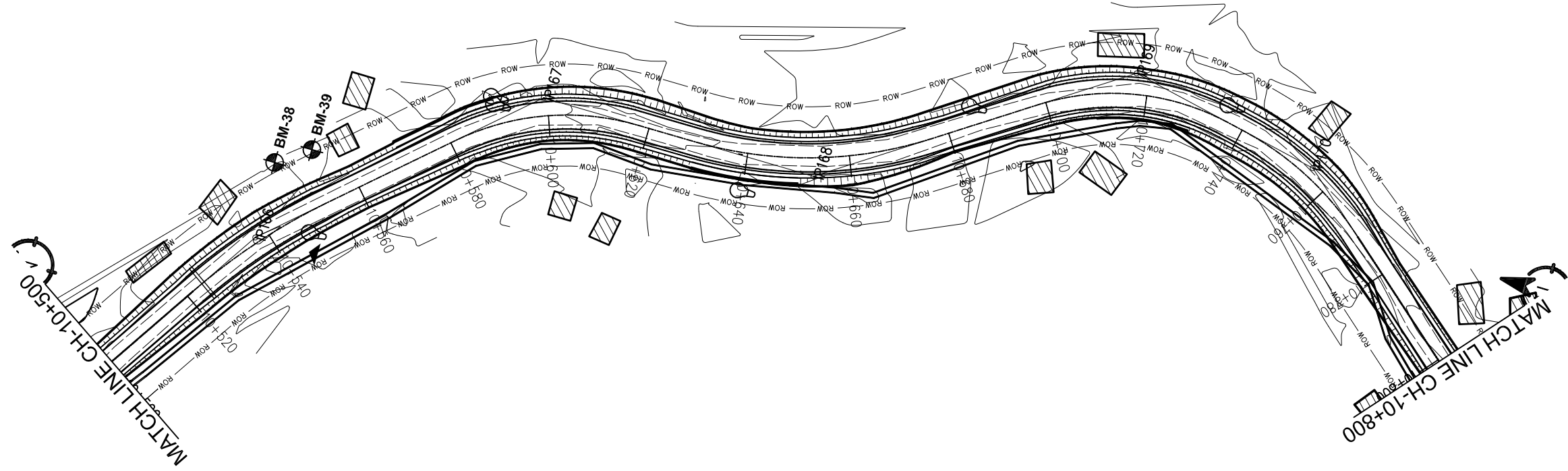


IP No.	CO-ORDINATES(m)		WCB (0-M-S)	DIST. (m)	DEF. ANG. (0-M-S)	TAN. LEN. (m)	SIMPLE CURVE DATA			CHAINAGE			
	EASTING	NORTHING					R (m)	E (m)	LC (m)	BC	MC	EC	IP
159	628645.412	3103832.757	158-31-41.41	88.067	48-17-10.15	35.858	80.000	7.669	67.420	10+129.071	10+162.781	10+196.491	10+164.928
160	628665.725	3103781.115	144-22-36.78	55.493	14-09-4.63	9.930	80.000	0.614	19.759	10+206.196	10+216.076	10+225.955	10+216.126
161	628681.390	3103759.253	125-56-2.51	26.895	18-28-34.27	10.553	65.000	0.851	20.923	10+232.367	10+242.829	10+252.290	10+242.920
162	628718.917	3103732.054	120-03-41.71	46.347	05-52-20.80	10.258	200.000	0.263	20.499	10+278.826	10+289.076	10+299.325	10+289.085
163	628775.724	3103699.175	110-50-51.06	65.636	09-12-50.65	21.435	266.000	0.862	42.777	10+333.268	10+354.656	10+376.045	10+354.703
164	628831.326	3103678.001	157-11-51.47	59.497	46-21-0.41	14.127	33.000	2.897	26.696	10+399.981	10+413.328	10+426.676	10+414.107
165	628842.688	3103650.975	122-50-22.21	29.317	34-21-29.26	13.294	43.000	2.008	25.785	10+428.573	10+441.466	10+454.359	10+441.867
166	628923.767	3103598.644	137-49-11.89	96.500	14-58-48.68	15.777	120.000	1.033	31.375	10+521.788	10+537.476	10+553.163	10+537.566

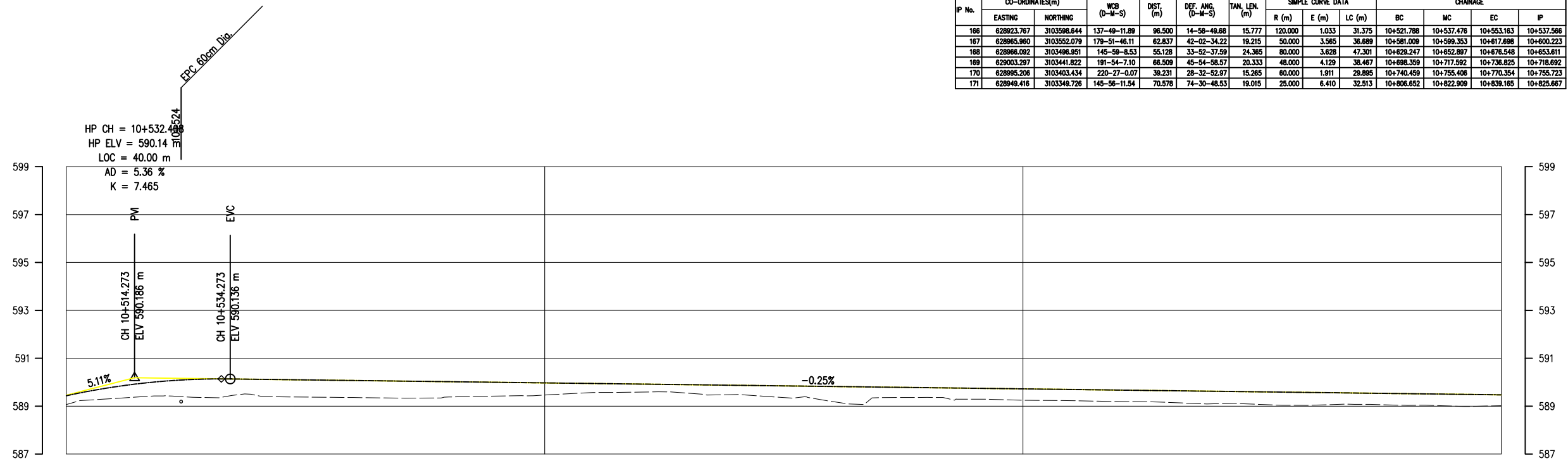


HORIZONTAL ALIGNMENT	RIGHT		LEFT																														
DESIGN LEVEL(m)	590.376	590.360	590.345	590.330	590.314	590.299	590.283	590.268	590.253	590.237	590.222	590.206	590.191	590.176	590.160	590.145	590.129	590.114	590.099	590.083	590.068	590.053	590.037	590.022	589.906	589.840	589.776	589.706	589.646	589.586	589.526	589.466	589.406
EXISTING LEVEL(m)	589.890	589.876	589.962	589.884	589.677	589.977	589.838	589.848	589.772	589.707	589.689	589.705	589.688	589.622	589.468	589.462	589.399	589.388	589.448	589.410	589.102	589.468	589.275	589.999	589.647	589.110	589.685	587.706	588.036	588.474	588.946	589.067	
CHAINAGE(Km)	10+200	10+210	10+220	10+230	10+240	10+250	10+260	10+270	10+280	10+290	10+300	10+310	10+320	10+330	10+340	10+350	10+360	10+370	10+380	10+390	10+400	10+410	10+420	10+430	10+440	10+450	10+460	10+470	10+480	10+490	10+500		

Government of Nepal Ministry of Federal Affairs and General Administration Department of Local Infrastructure (DoLI) Rural Connectivity Improvement Project-phase 2 (DoLI/RCIP/DPR-04/2019)	CONSULTANT:	ROAD NAME:	DATE	REVISION	SIGNATURE	DESIGNED BY :	SCALE HORIZONTAL 1:1000 VERTICAL 1:1000	Plan & Profile 10+200-10+500	DATE: March 2022
	ITECO - INCLUSIVE JV Sitapaila Chowk, Ring Road	Bijauri-Basdabara-Jmuni-Laxmipur- Dakchin-Kurariya-Kanjawar-Kothari Road Dang District				DRAWN BY :			DRG NO : RCIP2/DNG/BBJ/PP
						CHECKED BY :			SHEET NO :
						APPROVED BY :			35



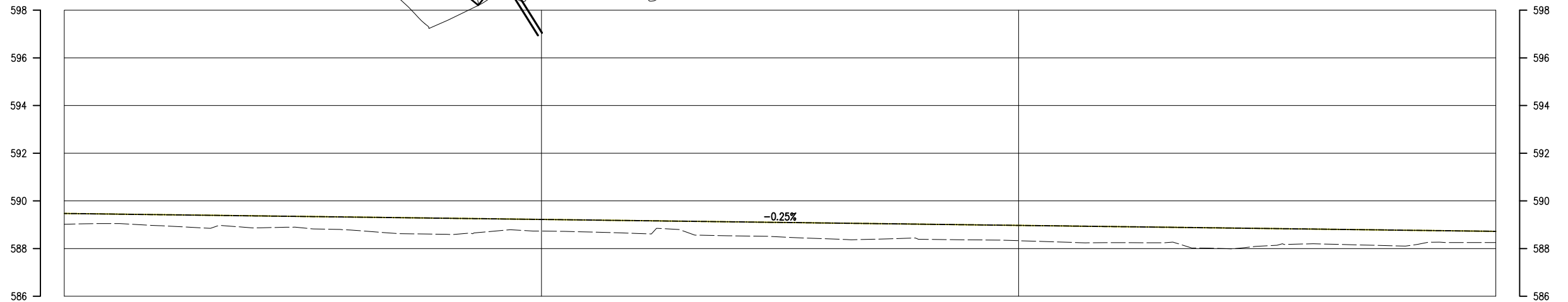
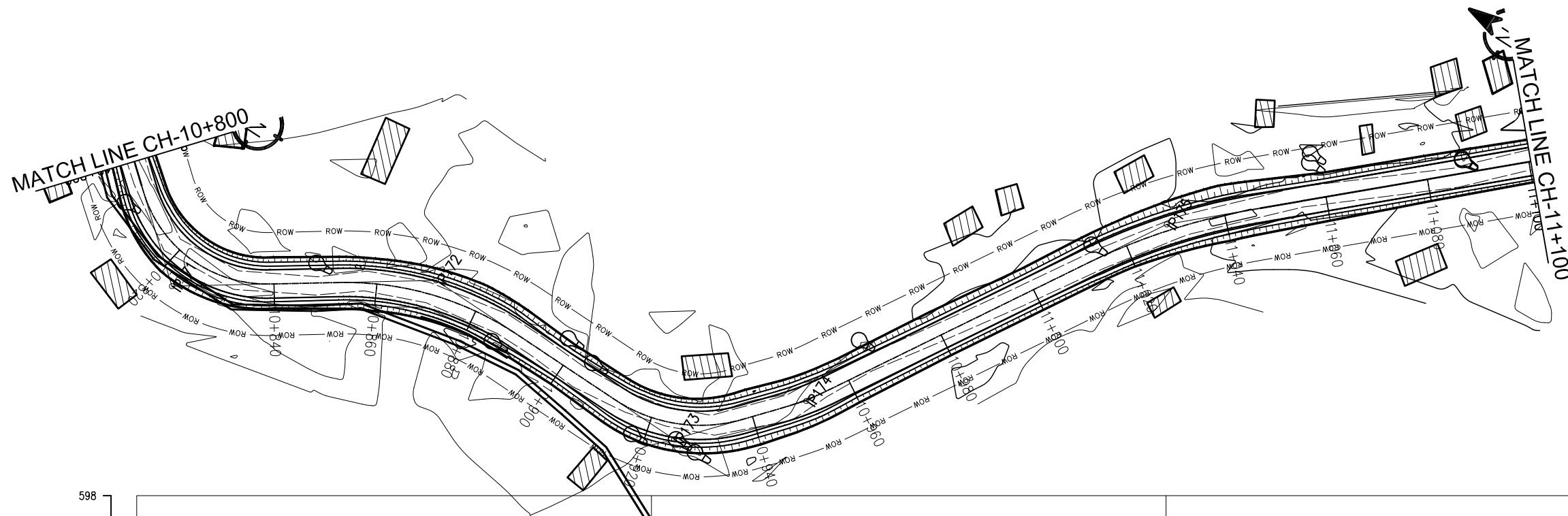
IP No.	CO-ORDINATES(m)		WCB (D-M-S)	DIST. (m)	DEF. ANG. (D-M-S)	TAN. LEN. (m)	SIMPLE CURVE DATA			CHAINAGE			
	EASTING	NORTHING					R (m)	E (m)	LC (m)	BC	MC	EC	IP
166	828923.767	3103598.644	137-49-11.89	96.500	14-58-48.68	15.777	120.000	1.033	31.375	10+521.788	10+537.476	10+553.163	10+537.568
167	828965.960	3103552.079	179-51-46.11	62.837	42-02-34.22	19.215	50.000	3.565	36.689	10+581.009	10+598.353	10+617.698	10+600.223
168	828966.092	3103496.951	145-59-8.53	55.128	33-52-37.59	24.385	80.000	3.628	47.301	10+628.247	10+652.897	10+676.548	10+653.611
169	829003.297	3103441.822	191-54-7.10	66.509	45-54-58.57	20.333	48.000	4.129	36.467	10+698.359	10+717.592	10+736.825	10+718.692
170	828995.206	3103403.434	220-27-0.07	39.231	28-32-52.97	15.285	80.000	1.911	29.895	10+740.459	10+758.406	10+770.354	10+755.723
171	828948.416	3103348.728	145-56-11.54	70.578	74-30-48.53	19.015	25.000	6.410	32.513	10+806.652	10+822.909	10+839.165	10+825.667



HORIZONTAL ALIGNMENT	RIGHT		CHAINAGE(Km)																														
	LEFT	RIGHT	10+500	10+510	10+520	10+530	10+540	10+550	10+560	10+570	10+580	10+590	10+600	10+610	10+620	10+630	10+640	10+650	10+660	10+670	10+680	10+690	10+700	10+710	10+720	10+730	10+740	10+750	10+760	10+770	10+780	10+790	10+800
DESIGN LEVEL(m)			589.435	589.802	590.035	590.134	590.122	590.097	590.072	590.047	590.022	589.997	589.972	589.947	589.922	589.897	589.872	589.847	589.822	589.797	589.772	589.747	589.722	589.697	589.672	589.647	589.622	589.597	589.572	589.547	589.522	589.497	589.472
EXISTING LEVEL(m)			589.067	589.319	589.428	589.358	589.440	589.379	589.361	589.336	589.382	589.420	589.465	589.571	589.587	589.541	589.487	589.359	589.195	589.358	589.365	589.292	589.247	589.229	589.194	589.160	589.098	589.070	589.037	589.075	589.035	589.001	589.019

Government of Nepal Ministry of Federal Affairs and General Administration Department of Local Infrastructure (DoLI) Rural Connectivity Improvement Project-phase 2 (DoLI/RCIP/DPR-04/2019)	CONSULTANT:	ROAD NAME:	DATE	REVISION	SIGNATURE	DESIGNED BY :	SCALE HORIZONTAL 1:1000 VERTICAL 1:1000 	Plan & Profile 10+500-10+800	DATE: March 2022
	ITECO - INCLUSIVE JV Sitapaila Chowk, Ring Road	Bijauri-Basdabara-Jmuni-Laxmipur- Dakchin-Kurariya-Kanjawar-Kothari Road Dang District				DRAWN BY :			DRG NO : RCIP2/DNG/BBJ/PP
						CHECKED BY :			SHEET NO :
						APPROVED BY :			36

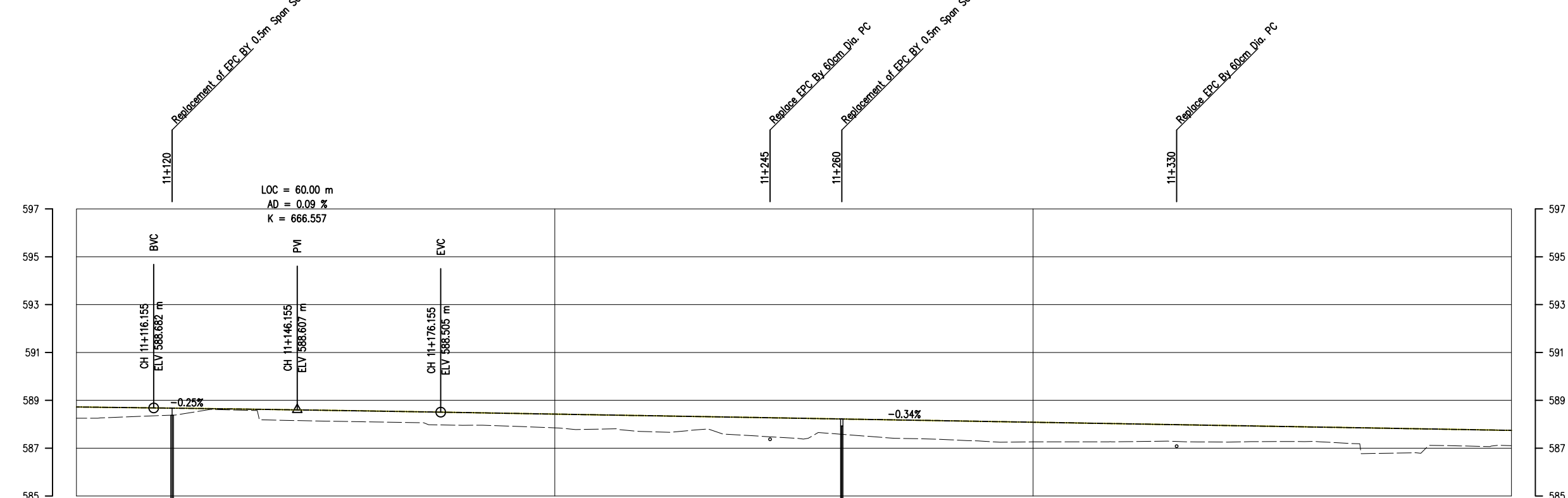
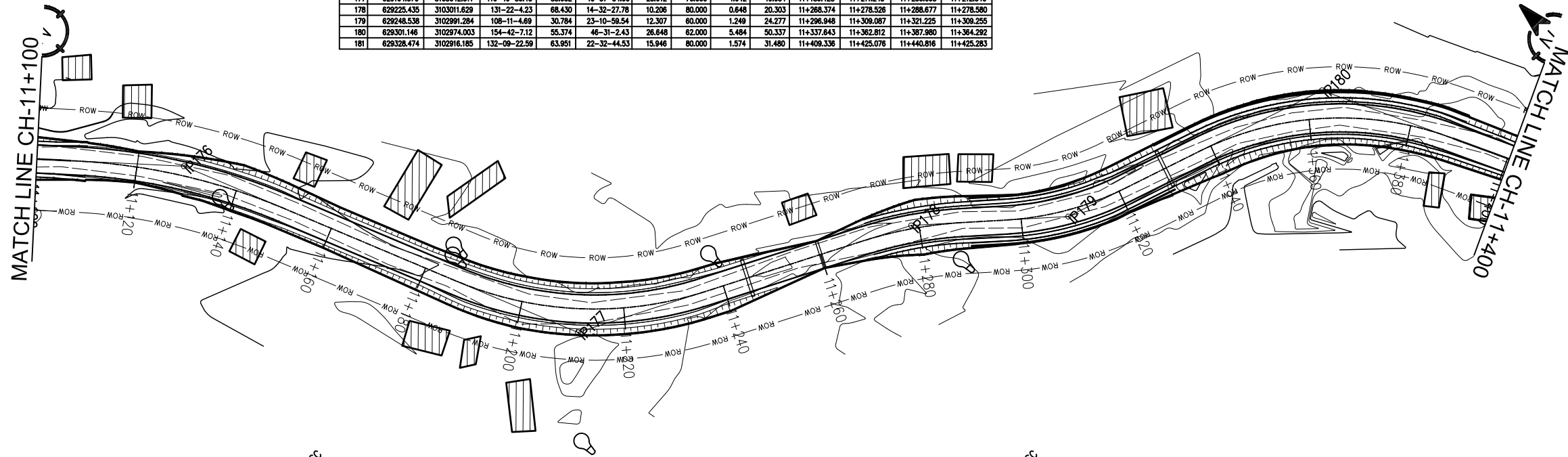
IP No.	CO-ORDINATES(m)		WCB (D-M-S)	DIST. (m)	DEF. ANG. (D-M-S)	TAN. LEN. (m)	SIMPLE CURVE DATA			CHANGAGE			
	EASTING	NORTHING					R (m)	E (m)	LC (m)	BC	MC	EC	IP
171	628948.416	3103349.726	145-56-11.54	70.578	74-30-48.53	19.015	25.000	6.410	32.513	10+806.652	10+822.909	10+839.185	10+826.667
172	628978.164	3103307.207	180-53-13.77	51.326	34-57-2.23	18.890	60.000	2.903	36.600	10+852.596	10+870.886	10+889.186	10+871.475
173	628977.303	3103251.605	131-04-55.35	55.609	49-48-16.42	13.927	30.000	3.075	26.078	10+911.978	10+925.017	10+938.056	10+925.905
174	628997.444	3103234.046	121-05-37.57	28.720	09-59-17.78	5.243	60.000	0.229	10.460	10+945.608	10+950.838	10+958.066	10+950.849
175	629064.235	3103193.765	137-23-48.47	77.997	16-18-10.90	17.189	120.000	1.225	34.145	11+011.631	11+028.704	11+045.776	11+028.820
176	629132.302	3103119.751	157-27-11.06	100.554	20-03-22.59	21.220	120.000	1.862	42.008	11+107.922	11+128.925	11+149.928	11+129.142



HORIZONTAL ALIGNMENT	RIGHT		CHAINAGE(Km)																														
	LEFT	RIGHT	10+800	10+810	10+820	10+830	10+840	10+850	10+860	10+870	10+880	10+890	10+900	10+910	10+920	10+930	10+940	10+950	10+960	10+970	10+980	10+990	11+000	11+010	11+020	11+030	11+040	11+050	11+060	11+070	11+080	11+090	11+100
DESIGN LEVEL(m)			589.472	589.447	589.422	589.397	589.372	589.347	589.322	589.297	589.272	589.247	589.222	589.197	589.172	589.147	589.122	589.097	589.072	589.047	589.022	589.997	589.972	589.947	589.922	589.897	589.872	589.847	589.822	589.797	589.772	589.747	589.722
EXISTING LEVEL(m)			589.019	589.048	588.959	588.856	588.868	588.865	588.778	588.633	588.598	588.729	588.733	588.695	588.634	588.718	588.535	588.488	588.408	588.393	588.396	588.366	588.330	588.266	588.248	588.243	588.018	588.093	588.193	588.159	588.108	588.251	588.250

Government of Nepal Ministry of Federal Affairs and General Administration Department of Local Infrastructure (DoLI) Rural Connectivity Improvement Project-phase 2 (DoLI/RCIP/DPR-04/2019)	CONSULTANT: ITECO - INCLUSIVE JV Sitapaila Chowk, Ring Road	ROAD NAME : Bijauri-Basdabara-Jmuni-Laxmipur- Dakchin-Kurariya-Kanjawar-Kothari Road Dang District	DATE	REVISION	SIGNATURE	DESIGNED BY :	SCALE 	Plan & Profile 10+800-11+100	DATE: March 2022
						DRAWN BY :			DRG NO : RCIP2/DNG/BBJ/PP
						CHECKED BY :			SHEET NO :
						APPROVED BY :			37

IP No.	CO-ORDINATES(m)		WCB (D-M-S)	DIST. (m)	DEF. ANG. (D-M-S)	TAN. LEN. (m)	SIMPLE CURVE DATA			CHANGE			
	EASTING	NORTHING					R (m)	E (m)	LC (m)	BC	MC	EC	IP
176	629132.302	3103119.751	157-27-11.06	100.554	20-03-22.59	21.220	120.000	1.862	42.006	11+107.922	11+128.925	11+148.928	11+128.142
177	629164.370	3103042.511	116-49-36.45	83.632	40-37-34.60	25.912	70.000	4.642	49.634	11+186.428	11+211.245	11+236.063	11+212.340
178	629225.435	3103011.629	131-22-4.23	68.430	14-32-27.78	10.206	80.000	0.648	20.303	11+268.374	11+278.526	11+288.677	11+278.580
179	629248.538	3102991.284	108-11-4.69	30.784	23-10-58.54	12.307	60.000	1.249	24.277	11+296.948	11+309.087	11+321.225	11+308.255
180	629301.146	3102974.003	154-42-7.12	55.374	46-31-2.43	26.648	82.000	5.484	50.337	11+337.643	11+362.812	11+387.980	11+364.292
181	629328.474	3102916.185	132-09-22.59	63.951	22-32-44.53	15.946	80.000	1.574	31.480	11+409.336	11+425.076	11+440.816	11+425.283



HORIZONTAL ALIGNMENT	RIGHT		LEFT		IP-176 R=120.00	IP-177 R=70.00	IP-178 R=80.00	IP-179 R=60.00	IP-180 R=62.00																						
	RIGHT	LEFT	RIGHT	LEFT																											
DESIGN LEVEL(m)	588.722	588.697	588.672	588.646	588.618	588.589	588.558	588.526	588.492	588.458	588.424	588.390	588.356	588.322	588.288	588.254	588.220	588.186	588.152	588.118	588.084	588.050	588.016	587.982	587.948	587.914	587.880	587.846	587.812	587.778	587.744
EXISTING LEVEL(m)	588.250	588.304	588.380	588.610	588.179	588.136	588.103	588.071	587.958	587.923	587.851	587.799	587.687	587.773	587.534	587.418	587.578	587.427	587.372	587.284	587.265	587.265	587.274	587.280	587.254	587.276	587.266	586.776	586.807	587.092	587.104
CHAINAGE(Km)	11+100	11+110	11+120	11+130	11+140	11+150	11+160	11+170	11+180	11+190	11+200	11+210	11+220	11+230	11+240	11+250	11+260	11+270	11+280	11+290	11+300	11+310	11+320	11+330	11+340	11+350	11+360	11+370	11+380	11+390	11+400

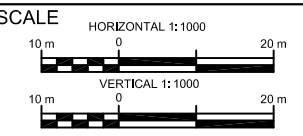
Government of Nepal
Ministry of Federal Affairs and General Administration
Department of Local Infrastructure (DoLI)
Rural Connectivity Improvement Project-phase 2
(DoLI/RCIP/DPR-04/2019)

CONSULTANT:
ITECO - INCLUSIVE JV
Sitapaila Chowk, Ring Road

ROAD NAME :
Bijauri-Basdabara-Jmuni-Laxmipur-
Dakchin-Kurariya-Kanjawar-Kothari
Road
Dang District

DATE
REVISION
SIGNATURE

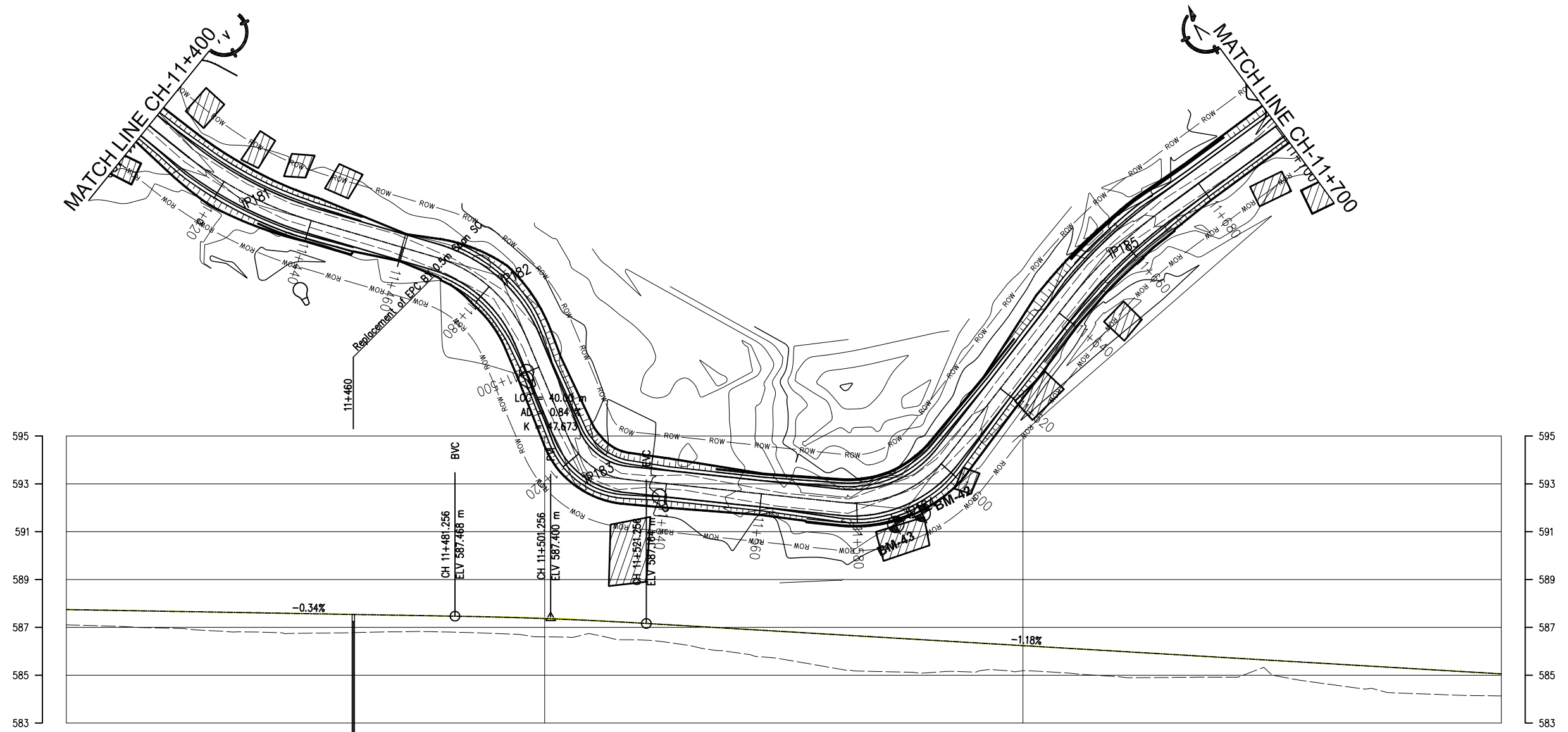
DESIGNED BY :
DRAWN BY :
CHECKED BY :
APPROVED BY :



Plan & Profile
11+100-11+400

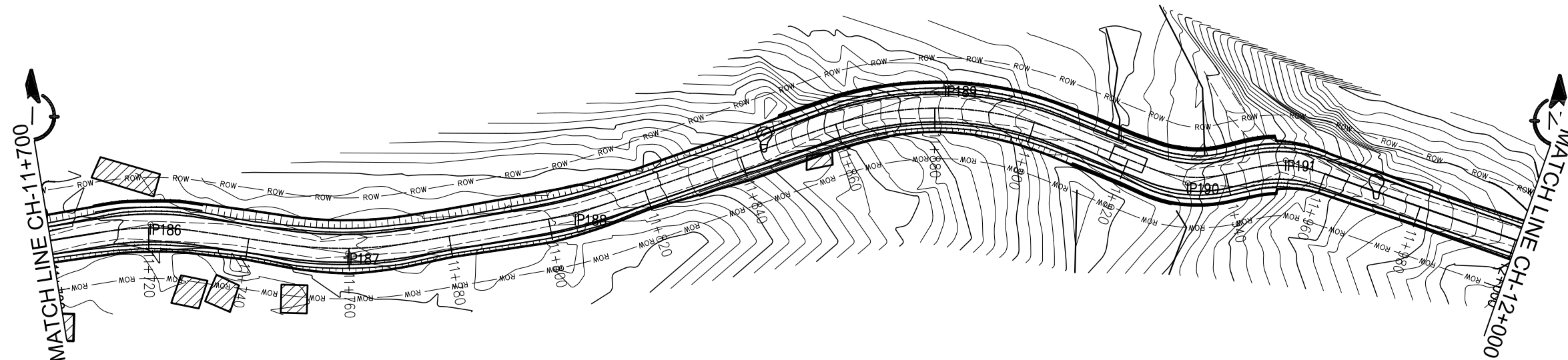
DATE: March 2022
DRG NO : RCIP2/DNG/BBJ/PP
SHEET NO : **38**

IP No.	CO-ORDINATES(m)		WCB (D-M-S)	DIST. (m)	DEF. ANG. (D-M-S)	TAN. LEN. (m)	SIMPLE CURVE DATA			CHAINAGE			
	EASTING	NORTHING					R (m)	E (m)	LC (m)	BC	MC	EC	IP
181	629328.474	3102916.185	132-09-22.59	63.951	22-32-44.53	15.946	80.000	1.574	31.480	11+409.336	11+425.076	11+440.816	11+425.283
182	629370.304	3102878.314	183-04-13.24	56.427	50-54-50.85	14.282	30.000	3.226	28.659	11+467.015	11+480.344	11+493.673	11+481.297
183	629367.894	3102833.384	121-54-43.67	44.995	61-09-29.57	8.864	15.000	2.423	16.011	11+515.523	11+523.526	11+531.534	11+524.386
184	629425.390	3102797.579	63-46-3.54	67.733	58-08-40.13	13.899	25.000	3.604	25.370	11+576.505	11+589.190	11+601.875	11+590.404
185	629487.152	3102828.013	79-23-35.92	68.853	15-37-32.39	13.721	100.000	0.937	27.272	11+643.108	11+656.744	11+670.380	11+656.829
186	629549.849	3102839.754	97-02-13.52	63.787	17-38-37.80	9.312	60.000	0.718	18.477	11+711.134	11+720.372	11+729.610	11+720.446

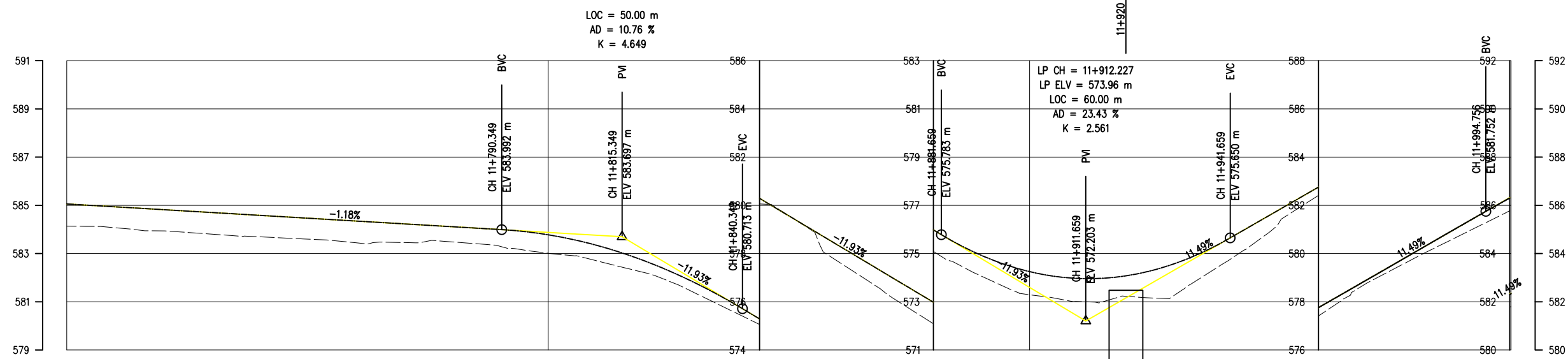


HORIZONTAL ALIGNMENT	RIGHT		LEFT		IP-181 R=80.00	IP-182 R=30.00	IP-183 R=15.00	IP-184 R=25.00	IP-185 R=100.00																						
	RIGHT	LEFT	RIGHT	LEFT																											
DESIGN LEVEL(m)	587.744	587.710	587.676	587.642	587.608	587.574	587.540	587.506	587.472	587.430	587.367	587.284	587.179	587.061	586.943	586.825	586.707	586.590	586.472	586.354	586.236	586.118	586.000	585.882	585.764	585.646	585.528	585.411	585.293	585.175	585.057
EXISTING LEVEL(m)	587.104	587.051	586.972	586.863	586.805	586.755	586.779	586.816	586.805	586.743	586.604	586.715	586.477	586.249	585.943	585.660	585.315	585.154	585.101	585.132	585.187	585.082	584.936	584.907	584.917	585.305	584.731	584.460	584.245	584.171	584.136
CHAINAGE(Km)	11+400	11+410	11+420	11+430	11+440	11+450	11+460	11+470	11+480	11+490	11+500	11+510	11+520	11+530	11+540	11+550	11+560	11+570	11+580	11+590	11+600	11+610	11+620	11+630	11+640	11+650	11+660	11+670	11+680	11+690	11+700

Government of Nepal Ministry of Federal Affairs and General Administration Department of Local Infrastructure (DoLI) Rural Connectivity Improvement Project-phase 2 (DoLI/RCIP/DPR-04/2019)	CONSULTANT:	ROAD NAME:	DATE	REVISION	SIGNATURE	DESIGNED BY :	SCALE HORIZONTAL 1:1000 VERTICAL 1:1000 	Plan & Profile 11+400-11+700	DATE: March 2022
	ITECO - INCLUSIVE JV Sitapaila Chowk, Ring Road	Bijauri-Basdabara-Jmuni-Laxmipur- Dakchin-Kurariya-Kanjawar-Kothari Road Dang District				DRAWN BY :			DRG NO : RCIP2/DNG/BBJ/PP
						CHECKED BY :			SHEET NO :
						APPROVED BY :			39



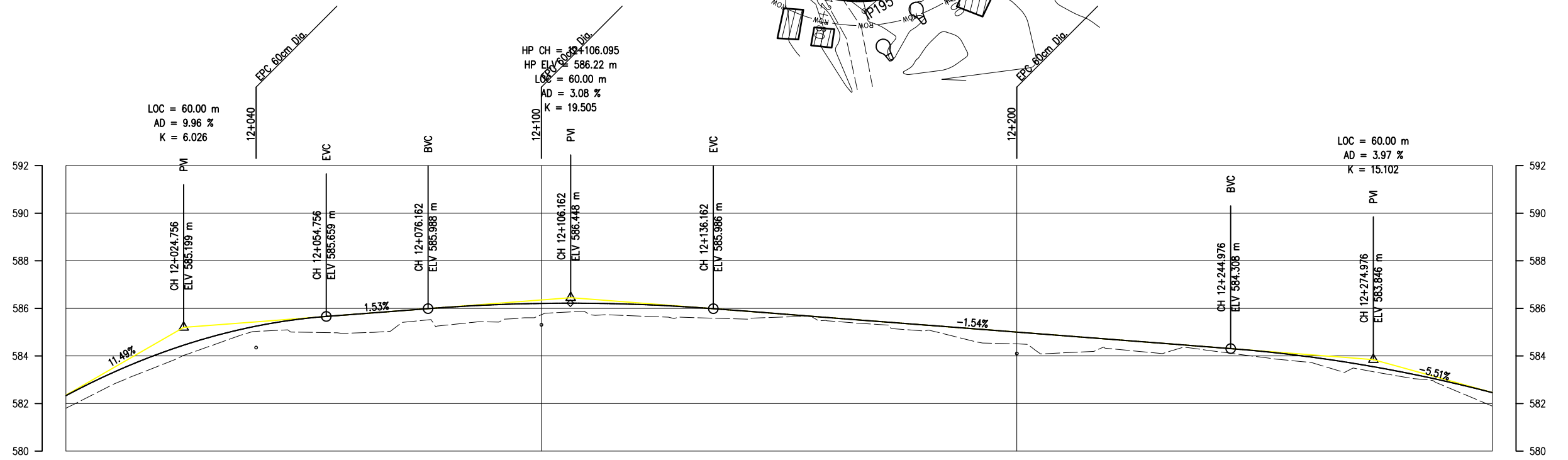
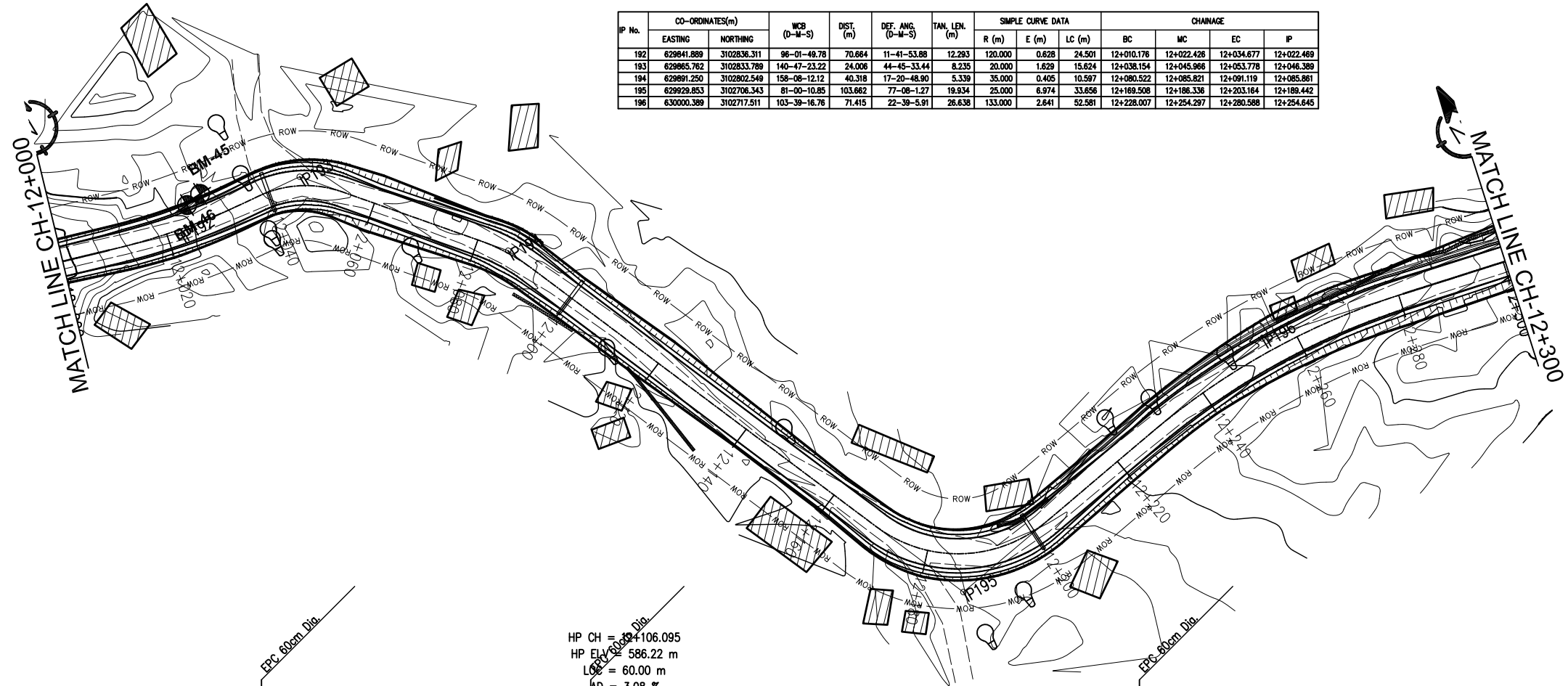
IP No.	CO-ORDINATES(m)		WCB (D-M-S)	DIST. (m)	DEF. ANG. (D-M-S)	TAN. LEN. (m)	SIMPLE CURVE DATA			CHANNAGE			
	EASTING	NORTHING					R (m)	E (m)	LC (m)	BC	MC	EC	IP
186	629549.849	3102839.754	97-02-13.52	63.787	17-38-37.60	9.312	60.000	0.718	18.477	11+711.134	11+720.372	11+729.610	11+720.446
187	629589.155	3102834.902	78-54-30.41	39.604	18-07-43.12	12.763	80.000	1.012	25.312	11+747.140	11+759.796	11+772.452	11+759.903
188	629634.044	3102843.702	69-28-13.61	45.743	09-26-16.80	8.585	104.000	0.354	17.131	11+796.848	11+805.413	11+813.979	11+805.433
189	629706.821	3102870.955	110-30-12.28	77.712	41-01-58.67	24.324	65.000	4.402	46.550	11+858.783	11+882.058	11+905.333	11+883.106
190	629755.271	3102852.837	75-30-18.08	51.727	34-59-53.20	7.882	25.000	1.213	15.271	11+924.854	11+932.489	11+940.125	11+932.736
191	629774.581	3102857.829	107-43-43.66	19.945	32-13-24.56	7.221	25.000	1.022	14.060	11+944.966	11+951.996	11+959.026	11+952.188
192	629841.889	3102836.311	96-01-48.78	70.664	11-41-53.68	12.293	120.000	0.628	24.501	12+010.176	12+022.428	12+034.677	12+022.469



HORIZONTAL ALIGNMENT	RIGHT		LEFT		IP-186 R=60.00	IP-187 R=80.00	IP-188 R=104.00	IP-189 R=65.00	IP-190 R=25.00	IP-191 R=25.00																					
	RIGHT	LEFT	RIGHT	LEFT																											
DESIGN LEVEL(m)	585.057	584.939	584.821	584.703	584.585	584.467	584.350	584.232	584.114	583.996	583.778	583.345	582.697	581.833	580.755	579.561	578.368	577.174	575.981	574.923	574.251	573.969	574.077	574.576	575.465	576.608	577.758	578.907	580.056	581.205	582.331
EXISTING LEVEL(m)	584.136	584.072	583.942	583.808	583.696	583.599	583.449	583.457	583.484	583.300	583.013	582.703	582.209	581.413	580.438	579.568	577.697	576.374	575.089	574.061	573.290	573.010	573.227	573.262	574.557	575.921	577.413	578.770	579.813	580.811	581.803
CHAINAGE(Km)	11+700	11+710	11+720	11+730	11+740	11+750	11+760	11+770	11+780	11+790	11+800	11+810	11+820	11+830	11+840	11+850	11+860	11+870	11+880	11+890	11+900	11+910	11+920	11+930	11+940	11+950	11+960	11+970	11+980	11+990	12+000

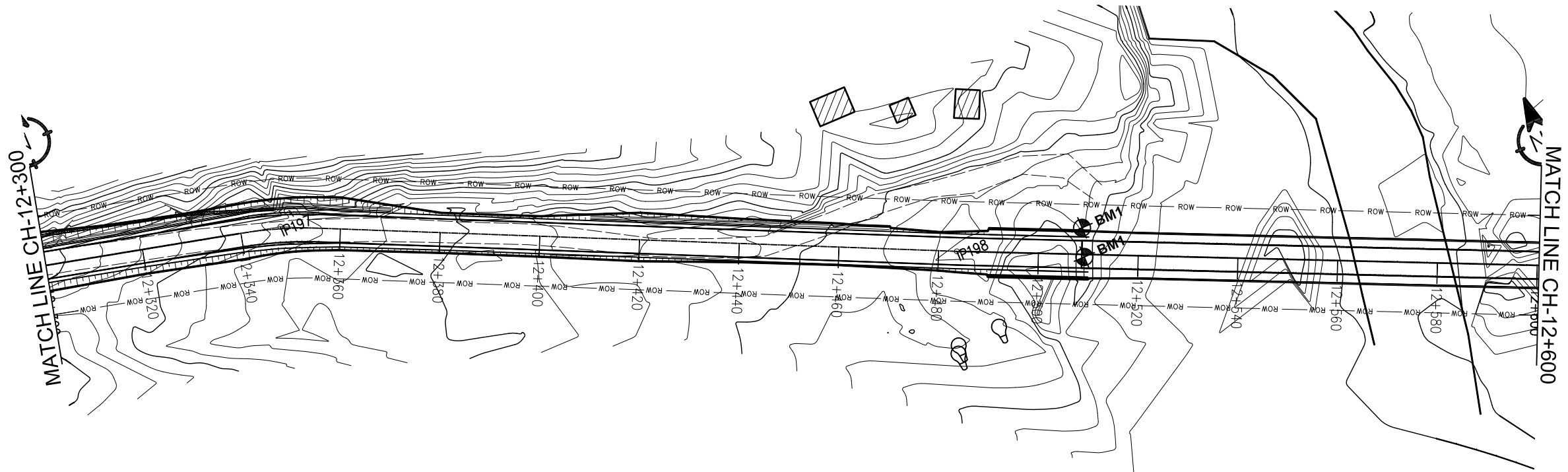
Government of Nepal Ministry of Federal Affairs and General Administration Department of Local Infrastructure (DoLI) Rural Connectivity Improvement Project-phase 2 (DoLI/RCIP/DPR-04/2019)	CONSULTANT:	ROAD NAME:	DATE	REVISION	SIGNATURE	DESIGNED BY :	SCALE HORIZONTAL 1:1000 VERTICAL 1:1000 	Plan & Profile 11+700-12+000	DATE: March 2022
	ITECO - INCLUSIVE JV Sitapaila Chowk, Ring Road	Bijauri-Basdabara-Jmuni-Laxmipur- Dakchin-Kurariya-Kanjawar-Kothari Road Dang District				DRAWN BY :			DRG NO : RCIP2/DNG/BBJ/PP
						CHECKED BY :			SHEET NO :
						APPROVED BY :			40

IP No.	CO-ORDINATES(m)		WCB (D-M-S)	DIST. (m)	DEF. ANG. (D-M-S)	TAN. LEN. (m)	SIMPLE CURVE DATA			CHAINAGE			
	EASTING	NORTHING					R (m)	E (m)	LC (m)	BC	MC	EC	IP
192	629841.889	3102836.311	96-01-49.78	70.664	11-41-53.88	12.293	120.000	0.628	24.501	12+010.176	12+022.426	12+034.677	12+022.469
193	629865.762	3102833.789	140-47-23.22	24.006	44-45-33.44	8.235	20.000	1.629	15.624	12+038.154	12+045.966	12+053.778	12+046.389
194	629891.250	3102802.549	158-08-12.12	40.318	17-20-48.90	5.339	35.000	0.405	10.597	12+080.522	12+085.821	12+091.119	12+085.861
195	629929.853	3102706.343	81-00-10.85	103.662	77-08-1.27	19.934	25.000	6.974	33.656	12+169.508	12+186.336	12+203.164	12+189.442
196	630000.389	3102717.511	103-39-16.76	71.415	22-39-5.91	26.638	133.000	2.641	62.581	12+228.007	12+254.297	12+280.588	12+254.645

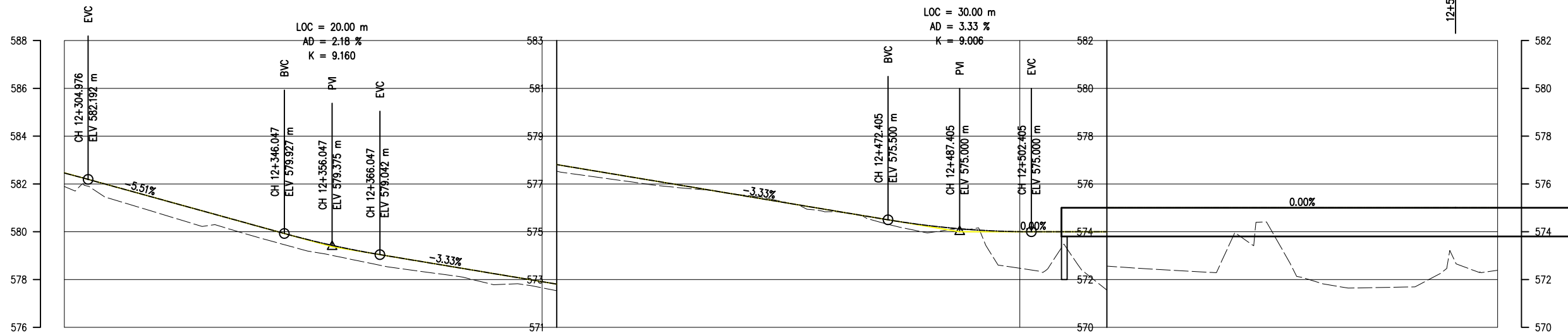


HORIZONTAL ALIGNMENT	RIGHT		LEFT		IP-193 R=20.00		IP-194 R=35.00		IP-195 R=25.00		IP-196 R=133.00																				
	RIGHT	LEFT	RIGHT	LEFT	RIGHT	LEFT	RIGHT	LEFT	RIGHT	LEFT	RIGHT	LEFT																			
DESIGN LEVEL(m)	582.331	583.311	584.124	584.771	585.252	585.568	585.740	585.893	586.043	586.151	586.208	586.214	586.168	586.071	585.927	585.773	585.618	585.464	585.310	585.156	585.002	584.848	584.694	584.539	584.385	584.223	584.022	583.715	583.362	582.943	582.458
EXISTING LEVEL(m)	581.803	582.810	583.617	584.391	585.032	584.995	584.962	585.303	585.295	585.426	585.733	585.766	585.681	585.623	585.564	585.628	585.482	585.332	585.053	584.664	584.507	584.133	584.300	584.108	584.239	583.983	583.761	583.419	583.164	582.728	581.893
CHAINAGE(Km)	12+000	12+010	12+020	12+030	12+040	12+050	12+060	12+070	12+080	12+090	12+100	12+110	12+120	12+130	12+140	12+150	12+160	12+170	12+180	12+190	12+200	12+210	12+220	12+230	12+240	12+250	12+260	12+270	12+280	12+290	12+300

Government of Nepal Ministry of Federal Affairs and General Administration Department of Local Infrastructure (DoLI) Rural Connectivity Improvement Project-phase 2 (DoLI/RCIP/DPR-04/2019)	CONSULTANT:	ROAD NAME:	DATE	REVISION	SIGNATURE	DESIGNED BY :	SCALE HORIZONTAL 1:1000 VERTICAL 1:1000 	Plan & Profile 12+000-12+300	DATE: March 2022
	ITECO - INCLUSIVE JV Sitapaila Chowk, Ring Road	Bijauri-Basdabara-Jmuni-Laxmipur- Dakchin-Kurariya-Kanjawar-Kothari Road Dang District				DRAWN BY :			DRG NO : RCIP2/DNG/BBJ/PP
						CHECKED BY :			SHEET NO : 41
						APPROVED BY :			



IP No.	CO-ORDINATES(m)		WCB (D-M-S)	DIST. (m)	DEF. ANG. (D-M-S)	TAN. LEN. (m)	SIMPLE CURVE DATA			CHAINAGE			
	EASTING	NORTHING					R (m)	E (m)	LC (m)	BC	MC	EC	IP
196	630000.389	3102717.511	103-39-16.76	71.415	22-39-5.91	26.638	133.000	2.841	52.581	12+228.007	12+254.297	12+280.588	12+254.646
197	630091.796	3102895.305	115-04-44.61	94.066	11-25-27.85	8.002	80.000	0.399	15.951	12+346.013	12+347.969	12+355.994	12+348.015
198	630214.677	3102837.798	114-23-18.46	135.672	00-41-28.15	0.362	60.000	0.001	0.724	12+483.272	12+483.634	12+483.996	12+483.634
199	630408.659	3102548.400	110-43-46.24	214.084	03-39-30.22	2.906	91.000	0.046	5.810	12+694.812	12+697.717	12+700.622	12+697.718



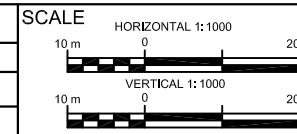
HORIZONTAL ALIGNMENT	RIGHT	IP-197 R=80.00																											LEFT						
DESIGN LEVEL(m)	582.458	581.915	581.363	580.812	580.260	579.717	579.264	578.911	578.578	578.245	577.911	577.578	577.245	576.912	576.579	576.246	575.913	575.580	575.279	575.085	575.003	575.000	575.000	575.000	575.000	575.000	575.000	575.000	575.000	575.000	575.000	575.000	575.000		
EXISTING LEVEL(m)	581.893	581.364	580.758	580.254	579.792	579.241	578.847	578.467	578.196	577.784	577.652	577.324	577.048	576.816	576.578	576.272	575.838	575.440	574.976	575.119	573.471	574.251	572.536	572.408	572.298	574.400	572.033	571.646	571.684	573.210	572.389				
CHAINAGE(Km)	12+300	12+310	12+320	12+330	12+340	12+350	12+360	12+370	12+380	12+390	12+400	12+410	12+420	12+430	12+440	12+450	12+460	12+470	12+480	12+490	12+500	12+510	12+520	12+530	12+540	12+550	12+560	12+570	12+580	12+590	12+600				

Government of Nepal
Ministry of Federal Affairs and General Administration
Department of Local Infrastructure (DoLI)
Rural Connectivity Improvement Project-phase 2
(DoLI/RCIP/DPR-04/2019)

CONSULTANT:
ITECO - INCLUSIVE JV
Sitapaila Chowk, Ring Road

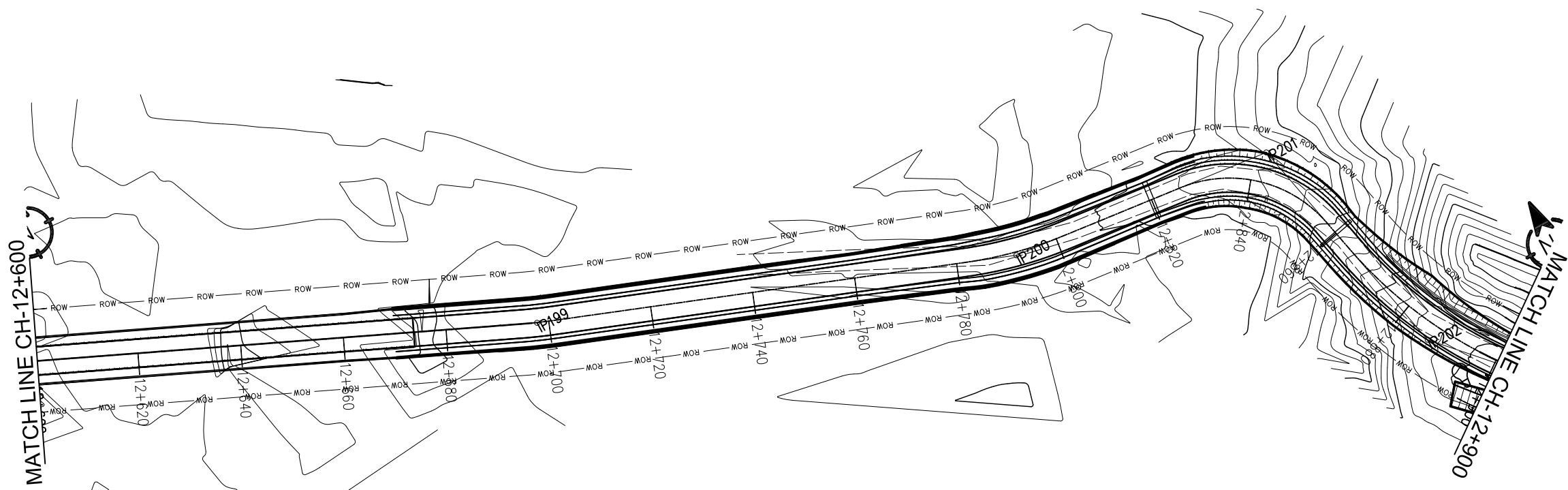
ROAD NAME:
Bijauri-Basdabara-Jmuni-Laxmipur-
Dakchin-Kurariya-Kanjawar-Kothari
Road
Dang District

DATE
REVISION
SIGNATURE
DESIGNED BY :
DRAWN BY :
CHECKED BY :
APPROVED BY :

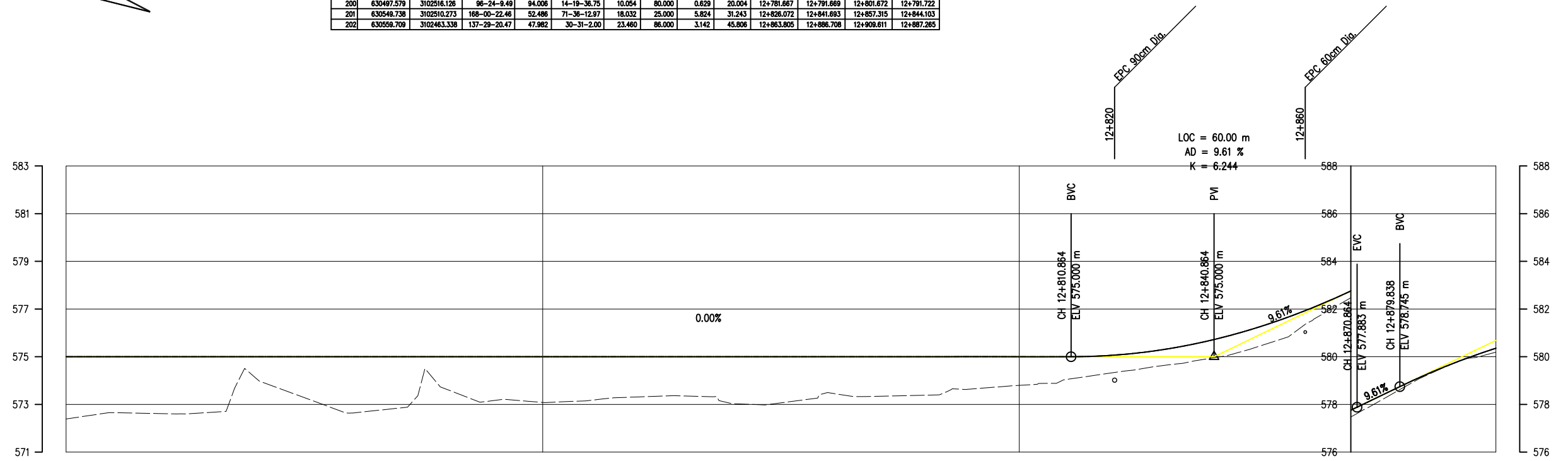


Plan & Profile
12+300-12+600

DATE: March 2022
DRG NO : RCI/2/DNG/BBJ/PP
SHEET NO : 42



IP No.	CO-ORDINATES(m)		WCB (D-M-S)	DIST. (m)	DEF. ANG. (D-M-S)	TAN. LEN. (m)	SIMPLE CURVE DATA			CHAINAGE			
	EASTING	NORTHING					R (m)	E (m)	LC (m)	BC	MC	EC	IP
199	630408.659	3102548.400	110-43-46.24	214.084	03-39-30.22	2.906	91.000	0.046	5.810	12+694.812	12+697.717	12+700.622	12+697.718
200	630487.579	3102516.126	96-24-9.49	94.006	14-19-36.75	10.054	80.000	0.629	20.004	12+781.667	12+791.669	12+801.672	12+791.722
201	630549.738	3102510.273	168-00-22.46	52.486	71-36-12.97	18.032	25.000	5.824	31.243	12+826.072	12+841.693	12+857.315	12+844.103
202	630559.709	3102463.338	137-29-20.47	47.982	30-31-2.00	23.460	86.000	3.142	45.806	12+863.805	12+886.708	12+908.611	12+887.285



HORIZONTAL ALIGNMENT	RIGHT	LEFT	DESIGN LEVEL(m)	EXISTING LEVEL(m)	CHAINAGE(Km)
					12+600
					12+610
					12+620
					12+630
					12+640
					12+650
					12+660
					12+670
					12+680
					12+690
					12+700
					12+710
					12+720
					12+730
					12+740
					12+750
					12+760
					12+770
					12+780
					12+790
					12+800
					12+810
					12+820
					12+830
					12+840
					12+850
					12+860
					12+870
					12+880
					12+890
					12+900

Government of Nepal
 Ministry of Federal Affairs and General Administration
 Department of Local Infrastructure (DoLI)
Rural Connectivity Improvement Project-phase 2
 (DoLI/RICIP/DPR-04/2019)

CONSULTANT:
ITECO - INCLUSIVE JV
 Sitapaila Chowk, Ring Road

ROAD NAME:
 Bijauri-Basdabara-Jmuni-Laxmipur-
 Dakchin-Kurariya-Kanjawar-Kothari
 Road
 Dang District

DATE:
 REVISION
 SIGNATURE

DESIGNED BY:
DRAWN BY:
CHECKED BY:
APPROVED BY:

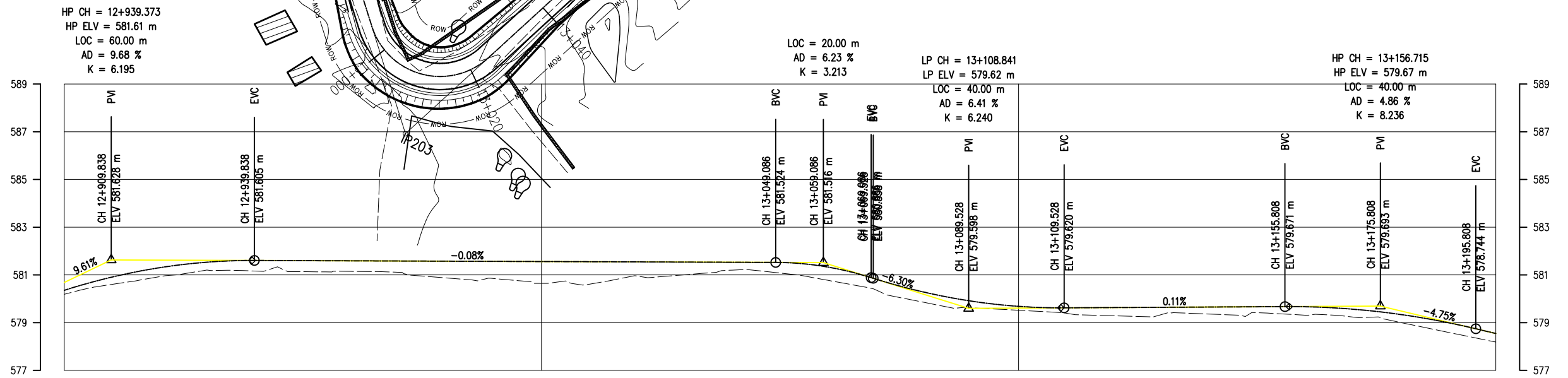
SCALE:
 HORIZONTAL 1:1000
 VERTICAL 1:1000

Plan & Profile
12+600-12+900

DATE: March 2022
DRG NO: RCI/P2/DNG/BBJ/PP
SHEET NO: 43

MATCH LINE CH-12+900

MATCH LINE CH-13+200



IP No.	CO-ORDINATES(m)		WCB (D-M-S)	DIST. (m)	DEF. ANG. (D-M-S)	TAN. LEN. (m)	SIMPLE CURVE DATA			CHANGAGE			
	EASTING	NORTHING					R (m)	E (m)	LC (m)	BC	MC	EC	IP
202	630559.709	3102463.338	137-29-20.47	47.982	30-31-2.00	23.460	86.000	3.142	45.806	12+963.805	12+886.708	12+909.611	12+887.285
203	630648.763	3102366.190	22-27-25.39	131.789	115-01-55.07	23.560	15.000	12.930	30.115	12+994.360	13+009.438	13+024.495	13+017.940
204	630684.004	3102451.450	31-49-14.56	92.256	09-21-48.16	9.827	120.000	0.402	19.611	13+083.364	13+093.170	13+102.975	13+093.192
205	630723.817	3102515.610	49-18-8.55	75.509	17-28-54.00	16.605	108.000	1.289	32.952	13+152.052	13+168.528	13+185.004	13+168.657
206	630754.974	3102542.407	33-03-57.34	41.095	16-14-11.22	17.117	120.000	1.215	34.006	13+192.377	13+208.379	13+226.382	13+208.484

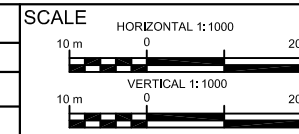
HORIZONTAL ALIGNMENT	RIGHT																														
	LEFT																														
DESIGN LEVEL(m)	580.355	580.909	581.303	581.535	581.605	581.598	581.590	581.583	581.575	581.568	581.560	581.553	581.545	581.538	581.530	581.522	581.330	580.829	580.286	579.904	579.682	579.621	579.632	579.643	579.654	579.665	579.665	579.564	579.342	578.999	578.545
EXISTING LEVEL(m)	580.189	580.604	580.927	581.201	581.162	581.135	581.147	581.109	580.874	580.848	580.644	580.609	580.954	581.005	581.201	581.080	580.774	580.379	579.857	579.623	579.518	579.394	579.287	579.341	579.359	579.414	579.312	579.233	579.006	578.595	578.187
CHAINAGE(Km)	12+900	12+910	12+920	12+930	12+940	12+950	12+960	12+970	12+980	12+990	13+000	13+010	13+020	13+030	13+040	13+050	13+060	13+070	13+080	13+090	13+100	13+110	13+120	13+130	13+140	13+150	13+160	13+170	13+180	13+190	13+200

Government of Nepal
 Ministry of Federal Affairs and General Administration
 Department of Local Infrastructure (DoLI)
 Rural Connectivity Improvement Project-phase 2
 (DoLI/RCIP/DPR-04/2019)

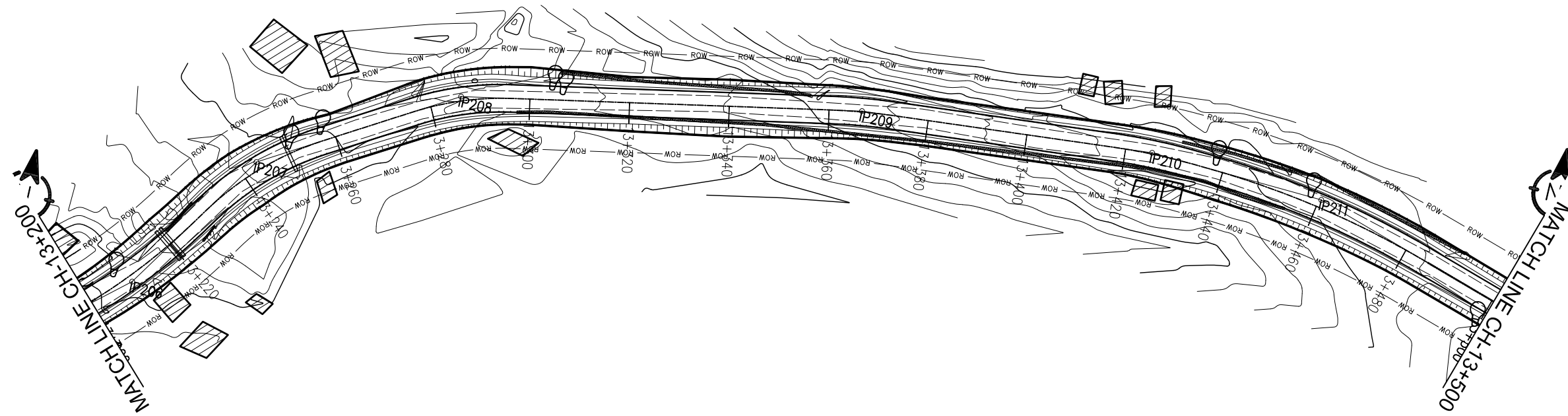
CONSULTANT:
ITECO - INCLUSIVE JV
 Sitapaila Chowk, Ring Road

ROAD NAME:
 Bijauri-Basdabara-Jmuni-Laxmipur-
 Dakchin-Kurariya-Kanjawar-Kothari
 Road
 Dang District

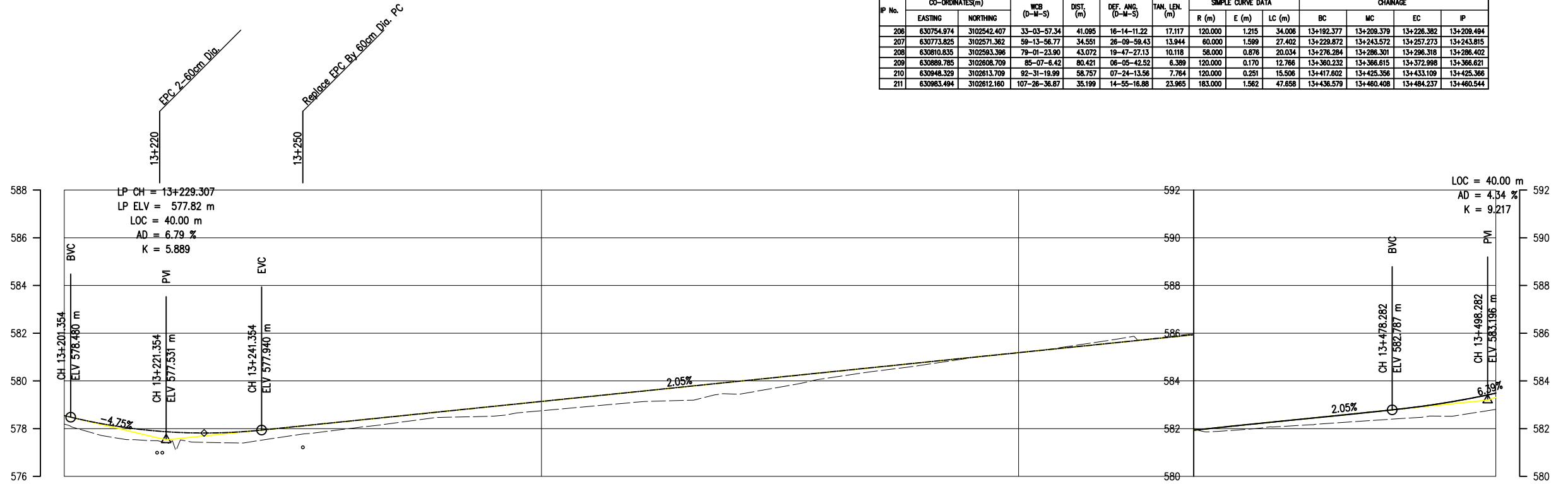
DATE: _____ REVISION: _____ SIGNATURE: _____
 DESIGNED BY: _____ DRAWN BY: _____
 CHECKED BY: _____ APPROVED BY: _____



Plan & Profile
 12+900-13+200
 DATE: March 2022
 DRG NO: RCIP2/DNG/BBJ/PP
 SHEET NO: 44



IP No.	CO-ORDINATES(m)		WCB (0-M-S)	DIST. (m)	DEF. ANG. (D-M-S)	TAN. LEN. (m)	SIMPLE CURVE DATA			CHAINAGE			
	EASTING	NORTHING					R (m)	E (m)	LC (m)	BC	MC	EC	IP
206	630754.974	3102542.407	33-03-57.34	41.095	16-14-11.22	17.117	120.000	1.215	34.006	13+192.377	13+209.379	13+226.382	13+209.494
207	630773.825	3102571.362	59-13-56.77	34.551	26-09-59.43	13.944	60.000	1.599	27.402	13+229.872	13+243.572	13+257.273	13+243.815
208	630810.835	3102593.396	79-01-23.90	43.072	19-47-27.13	10.118	58.000	0.876	20.034	13+276.284	13+286.301	13+296.318	13+286.402
209	630889.785	3102608.709	85-07-6.42	90.421	06-05-42.52	6.389	120.000	0.170	12.766	13+360.232	13+366.615	13+372.998	13+366.621
210	630948.329	3102613.709	92-31-19.99	58.757	07-24-13.56	7.764	120.000	0.251	15.506	13+417.602	13+425.356	13+433.109	13+425.366
211	630963.494	3102612.160	107-26-36.67	35.199	14-55-16.88	23.965	183.000	1.562	47.658	13+436.579	13+460.408	13+484.237	13+460.544



HORIZONTAL ALIGNMENT	RIGHT		LEFT		IP-206 R=120.00	IP-207 R=60.00		IP-208 R=58.00		IP-209 R=120.00		IP-210 R=120.00		IP-211 R=183.00																	
	RIGHT	LEFT	RIGHT	LEFT		RIGHT	LEFT	RIGHT	LEFT	RIGHT	LEFT	RIGHT	LEFT	RIGHT	LEFT																
DESIGN LEVEL(m)	578.545	578.133	577.890	577.817	577.914	578.117	578.322	578.526	578.731	578.935	579.140	579.344	579.549	579.754	579.958	580.163	580.367	580.572	580.776	580.981	581.185	581.390	581.595	581.799	582.004	582.208	582.413	582.617	582.824	583.101	583.487
EXISTING LEVEL(m)	578.187	577.638	577.474	577.422	577.476	577.775	578.009	578.256	578.476	578.522	578.751	578.931	579.110	579.184	579.450	579.742	580.120	580.407	580.669	580.968	581.179	581.432	581.733	581.823	581.866	582.008	582.150	582.287	582.422	582.520	582.808
CHAINAGE(Km)	13+200	13+210	13+220	13+230	13+240	13+250	13+260	13+270	13+280	13+290	13+300	13+310	13+320	13+330	13+340	13+350	13+360	13+370	13+380	13+390	13+400	13+410	13+420	13+430	13+440	13+450	13+460	13+470	13+480	13+490	13+500

Government of Nepal
Ministry of Federal Affairs and General Administration
Department of Local Infrastructure (DoLI)
Rural Connectivity Improvement Project-phase 2
(DoLI/RCIP/DPR-04/2019)

CONSULTANT:
ITECO - INCLUSIVE JV
Sitapaila Chowk, Ring Road

ROAD NAME :
Bijauri-Basdabara-Jmuni-Laxmipur-
Dakchin-Kurariya-Kanjawar-Kothari
Road
Dang District

DATE

REVISION

SIGNATURE

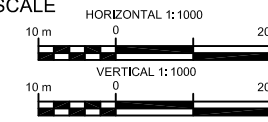
DESIGNED BY :

DRAWN BY :

CHECKED BY :

APPROVED BY :

SCALE



Plan & Profile

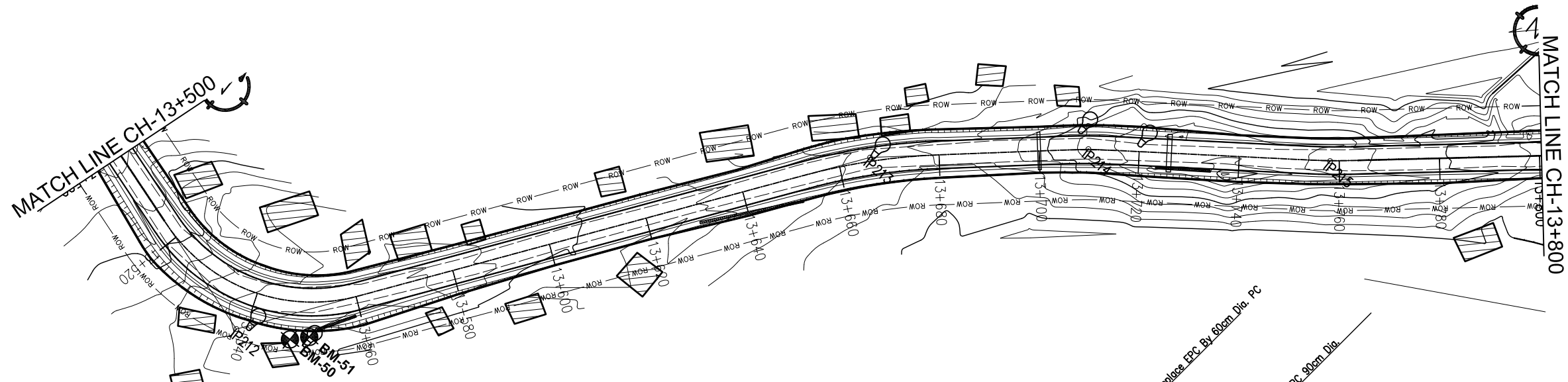
13+200-13+500

DATE: March 2022

DRG NO : RCIP2/DNG/BBJ/PP

SHEET NO : 45

IP No.	CO-ORDINATES(m)		WCB (D-M-S)	DIST. (m)	DEF. ANG. (D-M-S)	TAN. LEN. (m)	SIMPLE CURVE DATA			CHAINAGE			
	EASTING	NORTHING					R (m)	E (m)	LC (m)	BC	MC	EC	IP
211	630983.494	3102812.160	107-26-36.87	35.199	14-55-16.88	23.965	183.000	1.562	47.858	13+436.579	13+460.408	13+484.237	13+480.544
212	631061.418	3102867.675	35-56-29.34	81.880	71-30-7.53	25.197	35.000	8.127	43.678	13+516.756	13+538.595	13+560.434	13+541.953
213	631138.367	3102893.814	48-53-40.63	131.098	12-57-11.29	13.623	120.000	0.771	27.129	13+652.712	13+686.276	13+718.841	13+686.334
214	631171.243	3102722.499	53-55-41.89	43.631	05-02-1.06	3.275	120.000	0.116	10.542	13+704.574	13+709.846	13+715.317	13+709.849
215	631210.294	3102750.946	49-39-23.53	48.314	04-16-18.16	4.475	120.000	0.083	8.947	13+753.880	13+758.154	13+762.827	13+758.156
216	631250.637	3102785.212	61-54-2.84	52.931	12-14-39.31	8.581	80.000	0.459	17.096	13+802.502	13+811.050	13+819.598	13+811.083

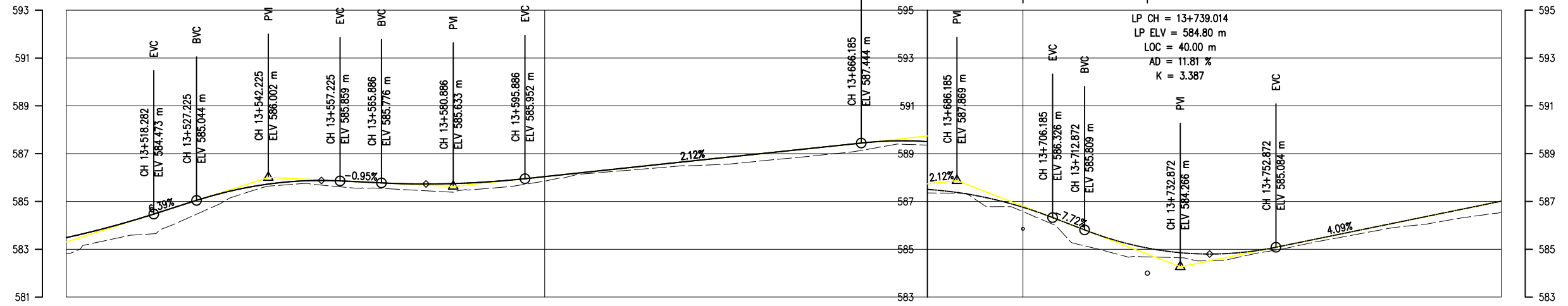


HP CH = 13+553.324
 HP ELV = 585.88 m
 LOC = 30.00 m
 AD = 7.34 %
 K = 4.087

LP CH = 13+575.189
 LP ELV = 585.73 m
 LOC = 30.00 m
 AD = 3.08 %
 K = 9.747

LOC = 40.00 m
 AD = 9.84 %
 K = 4.065

LP CH = 13+739.014
 LP ELV = 584.80 m
 LOC = 40.00 m
 AD = 11.81 %
 K = 3.387



HORIZONTAL ALIGNMENT	RIGHT		LEFT	
	RIGHT	LEFT	RIGHT	LEFT
DESIGN LEVEL(m)	583.487	583.981	584.583	585.212
EXISTING LEVEL(m)	582.808	583.441	583.851	584.713
CHAINAGE(Km)	13+500	13+510	13+520	13+530

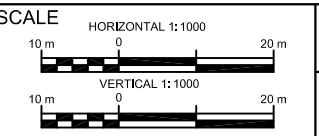
Government of Nepal
 Ministry of Federal Affairs and General Administration
 Department of Local Infrastructure (DoLI)
 Rural Connectivity Improvement Project-phase 2
 (DoLI/RCIP/DPR-04/2019)

CONSULTANT:
ITECO - INCLUSIVE JV
 Sitapaila Chowk, Ring Road

ROAD NAME :
 Bijauri-Basdabara-Jmuni-Laxmipur-
 Dakchin-Kurariya-Kanjawar-Kothari
 Road
 Dang District

DATE
 REVISION
 SIGNATURE

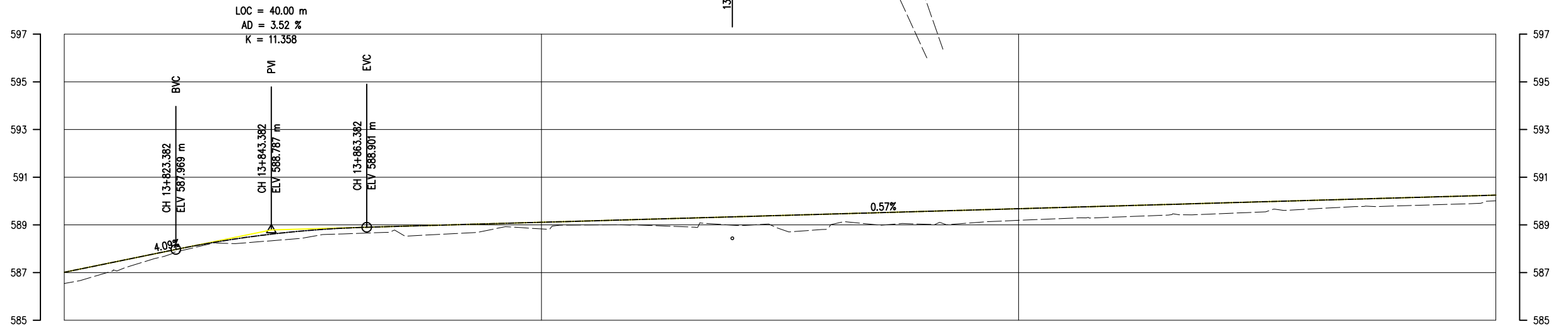
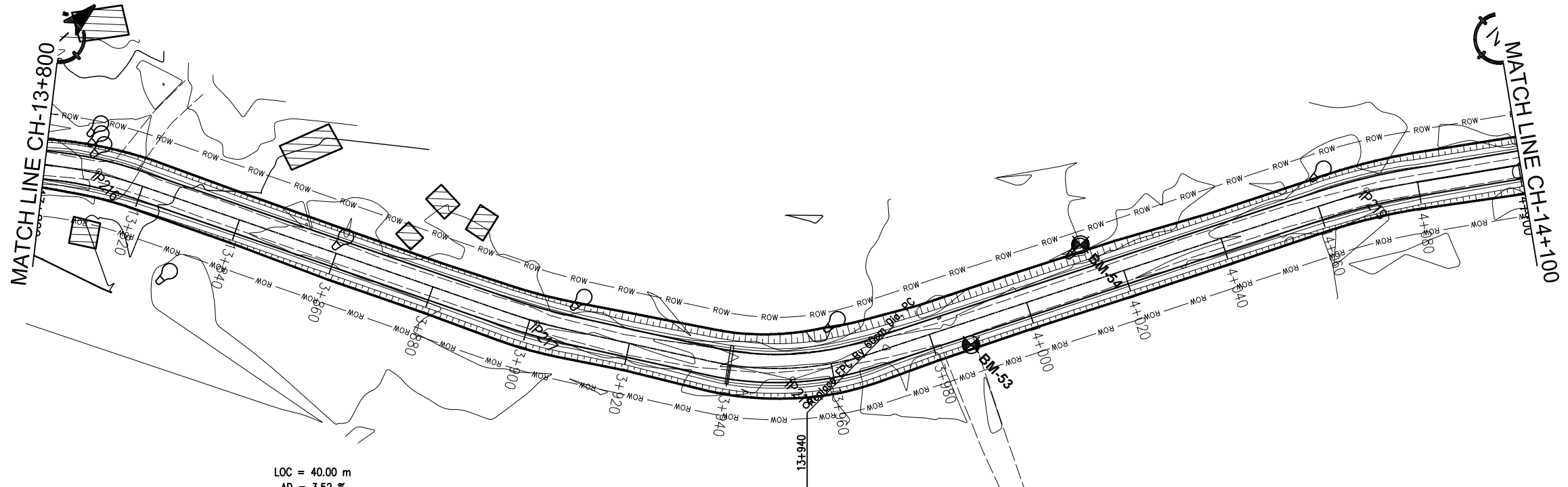
DESIGNED BY :
 DRAWN BY :
 CHECKED BY :
 APPROVED BY :



Plan & Profile
 13+500-13+800

DATE: March 2022
 DRG NO : RCIP2/DNG/BBJ/PP
 SHEET NO : 46

IP No.	CO-ORDINATES(m)		WCB (D-M-S)	DIST. (m)	DEF. ANG. (D-M-S)	TAN. LEN. (m)	SIMPLE CURVE DATA			CHAINAGE			
	EASTING	NORTHING					R (m)	E (m)	LC (m)	BC	MC	EC	IP
216	631250.637	3102765.212	61-54-2.84	52.931	12-14-30.31	8.581	80.000	0.459	17.096	13+802.502	13+811.050	13+819.598	13+811.083
217	631330.516	3102827.862	55-18-39.91	90.552	08-35-22.93	6.908	120.000	0.199	13.801	13+894.661	13+901.562	13+908.463	13+901.570
218	631372.538	3102856.946	24-37-3.46	51.103	30-41-36.45	16.467	80.000	2.219	32.142	13+836.191	13+852.282	13+868.333	13+852.658
219	631421.726	3102964.299	33-21-0.10	118.086	08-43-56.63	9.162	120.000	0.349	18.289	14+060.790	14+069.935	14+079.079	14+069.953



HORIZONTAL ALIGNMENT	RIGHT		IP-216 R=80.00																												IP-217 R=120.00				IP-218 R=60.00				IP-219 R=120.00																																																														
	LEFT	RIGHT	1	2	3	4	5	6	7	8	9	10	11	12	13	14	15	16	17	18	19	20	21	22	23	24	25	26	27	28	29	30	31	32	33	34	35	36	37	38	39	40	41	42	43	44	45	46	47	48	49	50	51	52	53	54	55	56	57	58	59	60	61	62	63	64	65	66	67	68	69	70	71	72	73	74	75	76	77	78	79	80	81	82	83	84	85	86	87	88	89	90	91	92	93	94	95	96	97	98	99
DESIGN LEVEL(m)			587.012	587.421	587.830	588.220	588.527	588.746	588.877	588.939	588.995	589.052	589.109	589.166	589.223	589.280	589.337	589.394	589.451	589.508	589.565	589.622	589.679	589.735	589.792	589.849	589.906	589.963	590.020	590.077	590.134	590.191	590.248																																																																				
EXISTING LEVEL(m)			586.541	587.061	587.637	588.178	588.280	588.446	588.634	588.692	588.615	588.825	588.830	588.998	588.997	588.919	588.988	588.831	588.865	589.007	589.030	589.084	589.193	589.273	589.325	589.401	589.451	589.533	589.655	589.761	589.801	589.859	590.006																																																																				
CHAINAGE(Km)			13+800	13+810	13+820	13+830	13+840	13+850	13+860	13+870	13+880	13+890	13+900	13+910	13+920	13+930	13+940	13+950	13+960	13+970	13+980	13+990	14+000	14+010	14+020	14+030	14+040	14+050	14+060	14+070	14+080	14+090	14+100																																																																				

Government of Nepal
Ministry of Federal Affairs and General Administration
Department of Local Infrastructure (DoLI)
Rural Connectivity Improvement Project-phase 2
(DoLI/RCIP/DPR-04/2019)

CONSULTANT:
ITECO - INCLUSIVE JV
Sitapaila Chowk, Ring Road

ROAD NAME :
Bijauri-Basdabara-Jmuni-Laxmipur-
Dakchin-Kurariya-Kanjawar-Kothari
Road
Dang District

DATE

REVISION

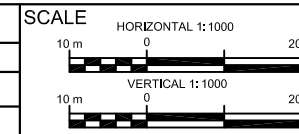
SIGNATURE

DESIGNED BY :

DRAWN BY :

CHECKED BY :

APPROVED BY :



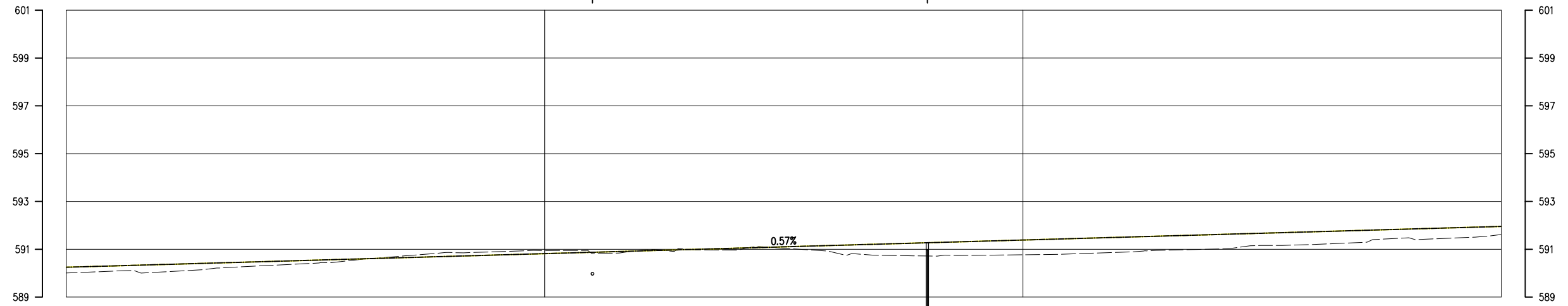
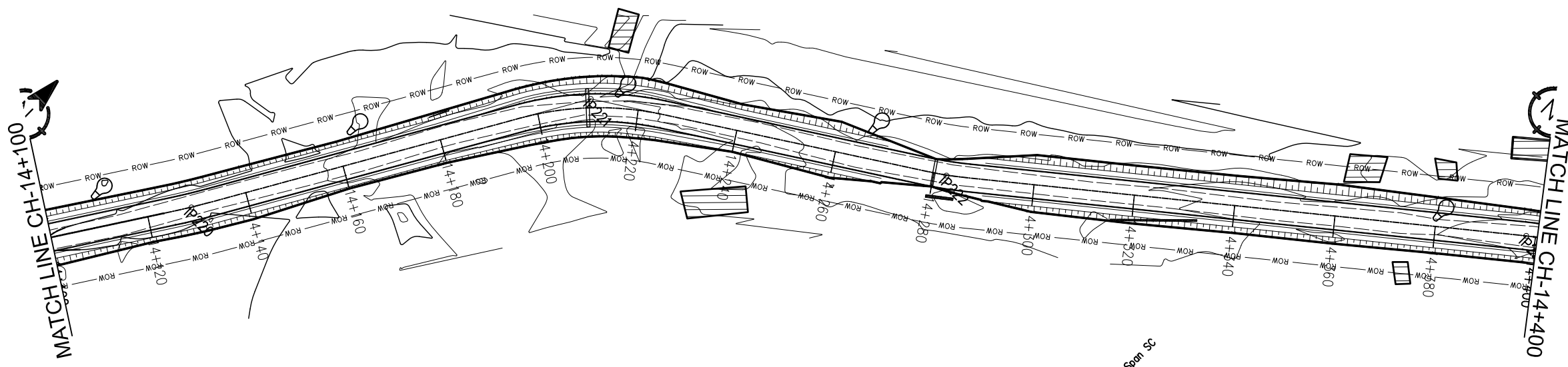
Plan & Profile
13+800-14+100

DATE: March 2022

DRG NO : RCIP2/DNG/BBJ/PP

SHEET NO : 47

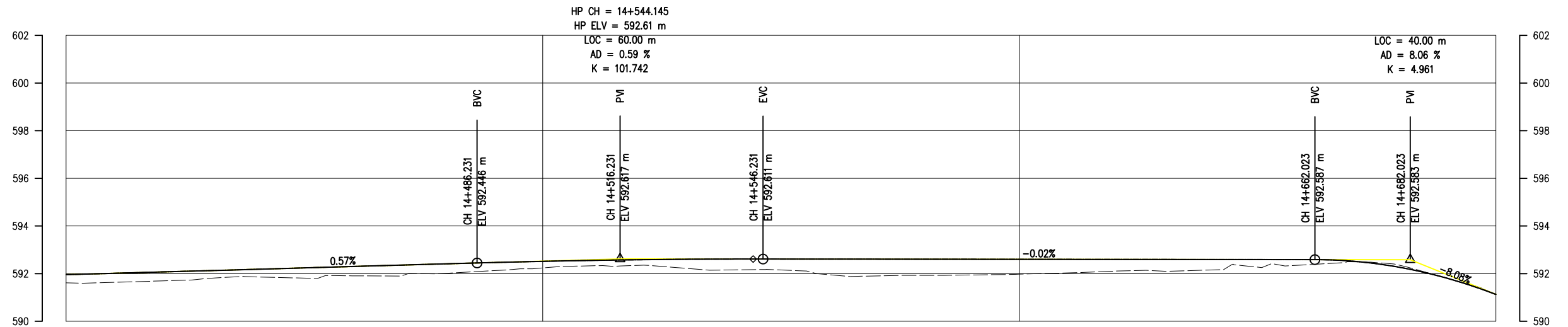
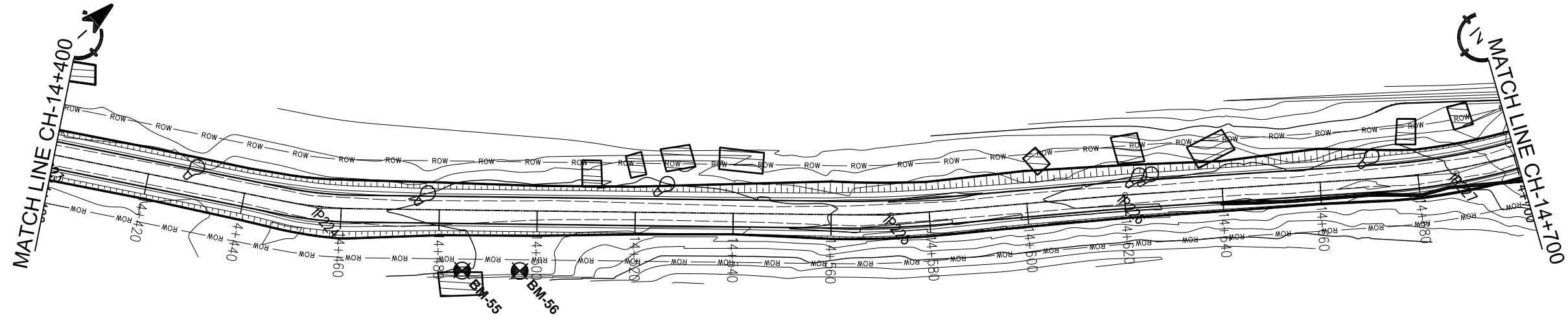
IP No.	CO-ORDINATES(m)		WCB (D-M-S)	DIST. (m)	DEF. ANG. (D-M-S)	TAN. LEN. (m)	SIMPLE CURVE DATA			CHAINAGE			
	EASTING	NORTHING					R (m)	E (m)	LC (m)	BC	MC	EC	IP
219	631421.726	3102964.299	33-21-0.10	118.086	08-43-56.63	9.162	120.000	0.349	16.289	14+060.790	14+069.935	14+079.079	14+089.953
220	631454.123	3103013.525	30-11-56.39	58.930	03-09-3.71	4.126	150.000	0.057	8.249	14+124.721	14+128.846	14+132.971	14+128.847
221	631495.403	3103084.454	57-35-6.50	82.067	27-23-10.12	14.819	60.000	1.755	28.679	14+196.293	14+210.633	14+224.972	14+210.912
222	631556.318	3103123.134	51-21-3.41	72.158	06-14-3.10	4.357	80.000	0.119	8.705	14+278.155	14+282.507	14+286.859	14+282.511
223	631646.639	3103195.363	52-47-25.01	115.650	01-28-21.61	1.382	110.000	0.009	2.763	14+396.771	14+398.152	14+399.534	14+398.153



HORIZONTAL ALIGNMENT	RIGHT																														LEFT	
DESIGN LEVEL(m)	590.248	590.305	590.362	590.418	590.475	590.532	590.589	590.646	590.703	590.760	590.817	590.874	590.931	590.988	591.045	591.102	591.158	591.215	591.272	591.329	591.386	591.443	591.500	591.557	591.614	591.671	591.728	591.785	591.842	591.898	591.955	
EXISTING LEVEL(m)	590.006	590.087	590.050	590.180	590.300	590.397	590.542	590.713	590.867	590.898	590.943	590.806	590.947	590.994	590.967	591.044	590.887	590.748	590.717	590.747	590.769	590.805	590.872	590.961	591.008	591.158	591.193	591.280	591.474	591.469	591.612	
CHAINAGE(Km)	14+100	14+110	14+120	14+130	14+140	14+150	14+160	14+170	14+180	14+190	14+200	14+210	14+220	14+230	14+240	14+250	14+260	14+270	14+280	14+290	14+300	14+310	14+320	14+330	14+340	14+350	14+360	14+370	14+380	14+390	14+400	

Government of Nepal Ministry of Federal Affairs and General Administration Department of Local Infrastructure (DoLI) Rural Connectivity Improvement Project-phase 2 (DoLI/RCIP/DPR-04/2019)	CONSULTANT:	ROAD NAME :	DATE	REVISION	SIGNATURE	DESIGNED BY :	SCALE HORIZONTAL 1:1000 VERTICAL 1:1000 	Plan & Profile 14+100-14+400	DATE: March 2022
	ITECO - INCLUSIVE JV Sitapaila Chowk, Ring Road	Bijauri-Basdabara-Jmuni-Laxmipur- Dakchin-Kurariya-Kanjawar-Kothari Road Dang District				DRAWN BY :			DRG NO : RCIP2/DNG/BBJ/PP
						CHECKED BY :			SHEET NO : 48
						APPROVED BY :			

IP No.	CO-ORDINATES(m)		WCB (D-M-S)	DIST. (m)	DEF. ANG. (D-M-S)	TAN. LEN. (m)	SIMPLE CURVE DATA			CHANNAGE			
	EASTING	NORTHING					R (m)	E (m)	LC (m)	BC	MC	EC	IP
223	631646.639	3103196.363	52-47-25.01	115.650	01-26-21.61	1.382	110.000	0.009	2.763	14+396.771	14+398.152	14+399.534	14+398.153
224	631692.349	3103230.071	42-06-36.70	57.394	10-40-48.31	7.478	80.000	0.349	14.912	14+448.068	14+455.525	14+462.981	14+455.546
225	631770.580	3103316.620	36-24-46.03	116.665	05-41-50.67	10.947	220.000	0.272	21.876	14+561.221	14+572.159	14+583.097	14+572.168
226	631799.062	3103355.234	37-39-57.21	47.982	01-15-11.18	5.468	500.000	0.030	10.835	14+614.664	14+620.132	14+625.600	14+620.132
227	631840.505	3103408.921	24-13-38.63	67.822	13-26-17.57	15.669	133.000	0.920	31.194	14+672.285	14+687.882	14+703.479	14+687.954



HORIZONTAL ALIGNMENT	RIGHT																														
	LEFT																														
DESIGN LEVEL(m)	591.955	592.012	592.069	592.126	592.183	592.240	592.297	592.354	592.411	592.467	592.515	592.554	592.582	592.601	592.610	592.610	592.608	592.606	592.604	592.602	592.600	592.598	592.596	592.594	592.592	592.590	592.588	592.521	592.258	591.792	591.126
EXISTING LEVEL(m)	591.612	591.634	591.693	591.805	591.860	591.810	591.907	591.897	592.016	592.127	592.238	592.326	592.346	592.221	592.155	592.152	591.955	591.903	591.926	591.943	591.978	592.029	592.105	592.105	592.150	592.271	592.368	592.494	592.341	591.791	591.116
CHAINAGE(Km)	14+400	14+410	14+420	14+430	14+440	14+450	14+460	14+470	14+480	14+490	14+500	14+510	14+520	14+530	14+540	14+550	14+560	14+570	14+580	14+590	14+600	14+610	14+620	14+630	14+640	14+650	14+660	14+670	14+680	14+690	14+700

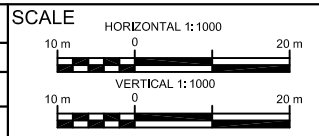
Government of Nepal
 Ministry of Federal Affairs and General Administration
 Department of Local Infrastructure (DoLI)
 Rural Connectivity Improvement Project-phase 2
 (DoLI/RCIP/DPR-04/2019)

CONSULTANT:
ITECO - INCLUSIVE JV
 Sitapaila Chowk, Ring Road

ROAD NAME :
 Bijauri-Basdabara-Jmuni-Laxmipur-
 Dakchin-Kurariya-Kanjawar-Kothari
 Road
 Dang District

DATE: REVISION: SIGNATURE:

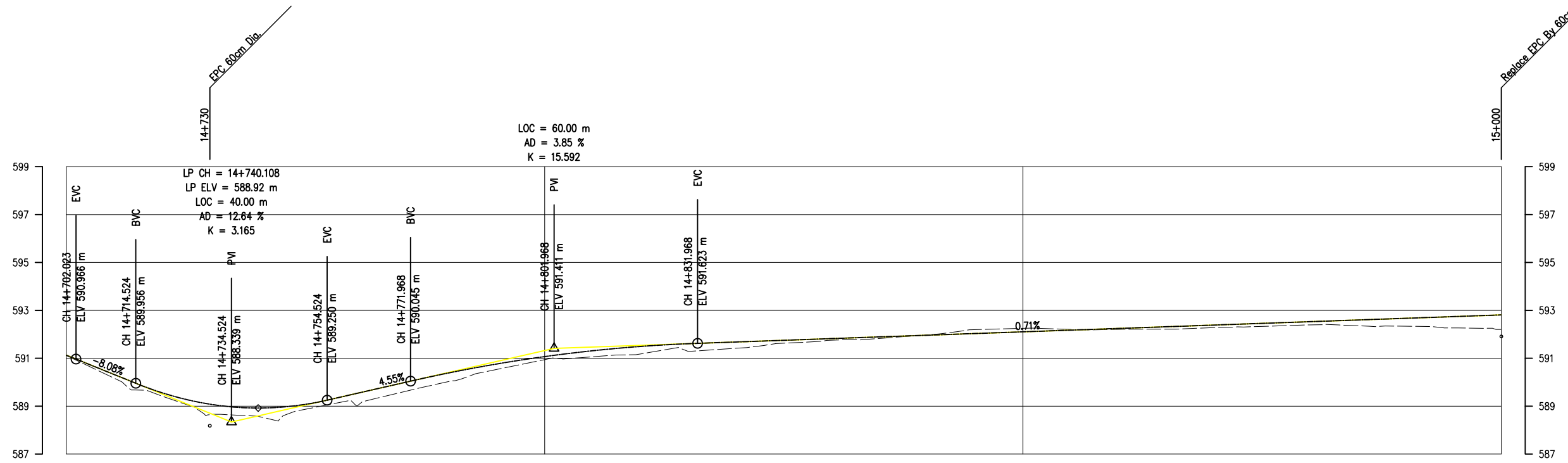
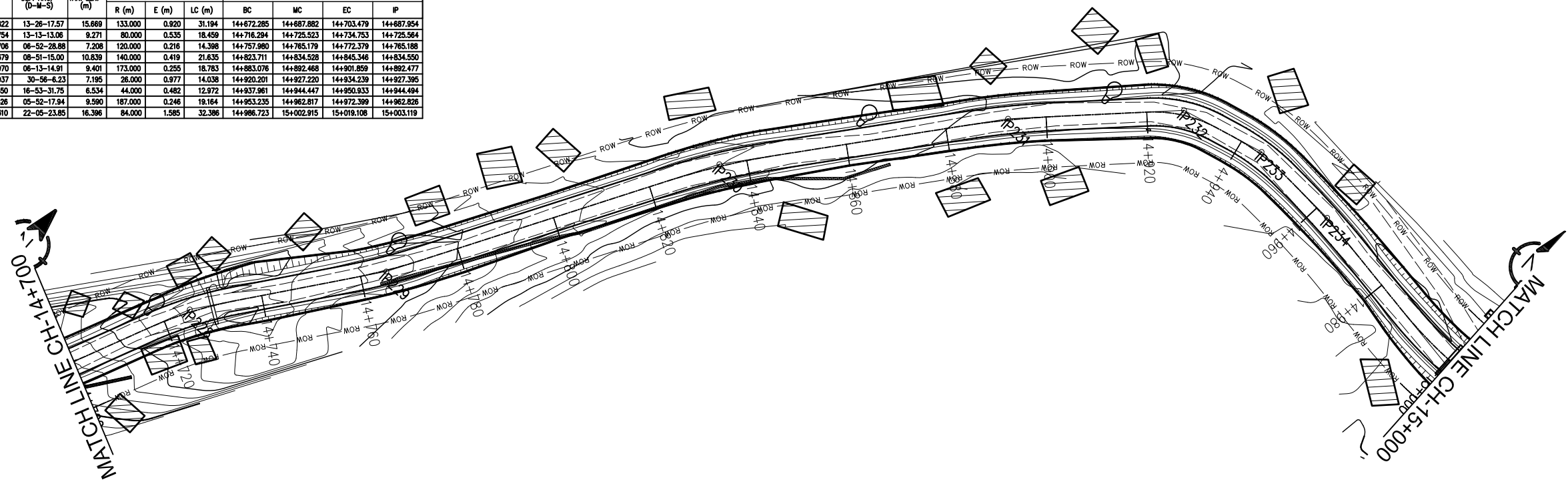
DESIGNED BY :
 DRAWN BY :
 CHECKED BY :
 APPROVED BY :



Plan & Profile
 14+400-14+700

DATE: March 2022
 DRG NO : RCIP2/DNG/BBJ/PP
 SHEET NO : 49

IP No.	CO-ORDINATES(m)		WCB (D-M-S)	DIST. (m)	DEF. ANG. (D-M-S)	TAN. LEN. (m)	SIMPLE CURVE DATA			CHAINAGE			
	EASTING	NORTHING					R (m)	E (m)	LC (m)	BC	MC	EC	IP
227	631840.505	3103408.921	24-13-38.63	67.822	13-26-17.57	15.689	133.000	0.920	31.194	14+672.285	14+687.882	14+703.479	14+687.954
228	631855.998	3103443.350	37-28-52.69	37.754	13-13-13.06	9.271	80.000	0.535	18.459	14+716.294	14+725.523	14+734.753	14+725.564
229	631880.141	3103474.873	30-34-23.81	38.708	08-52-28.88	7.208	120.000	0.216	14.398	14+757.980	14+765.179	14+772.379	14+765.188
230	631915.430	3103534.607	39-25-38.81	68.379	08-51-15.00	10.639	140.000	0.419	21.635	14+823.711	14+834.528	14+845.346	14+834.550
231	631952.247	3103579.385	45-38-53.71	57.970	08-13-14.91	9.401	173.000	0.255	18.783	14+883.076	14+892.468	14+901.859	14+892.477
232	631977.229	3103603.808	78-34-58.95	34.937	30-56-6.23	7.195	26.000	0.977	14.038	14+920.201	14+927.220	14+934.239	14+927.395
233	631994.203	3103607.857	83-28-31.70	17.450	16-53-31.75	6.534	44.000	0.482	12.972	14+937.961	14+944.447	14+950.933	14+944.494
234	632012.595	3103606.740	99-20-48.64	18.426	05-52-17.94	9.590	187.000	0.246	19.164	14+953.235	14+962.817	14+972.399	14+962.826
235	632052.370	3103600.193	77-15-25.79	40.310	22-05-23.85	16.396	84.000	1.585	32.386	14+986.723	15+002.915	15+019.108	15+003.119



HORIZONTAL ALIGNMENT	RIGHT		LEFT		IP-228		IP-229		IP-230		IP-231		IP-232		IP-233		IP-234		IP-235												
					R=80.00		R=120.00		R=140.00		R=173.00		R=26.00		R=44.00		R=187.00		R=84.00												
DESIGN LEVEL(m)	591.126	590.321	589.560	589.083	588.922	589.076	589.499	589.955	590.390	590.762	591.069	591.313	591.493	591.608	591.680	591.750	591.821	591.892	591.962	592.033	592.104	592.174	592.245	592.316	592.386	592.457	592.528	592.598	592.669	592.740	592.811
EXISTING LEVEL(m)	591.116	590.169	589.418	588.644	588.579	588.871	589.139	589.576	590.032	590.534	590.943	591.062	591.179	591.287	591.418	591.628	591.752	591.827	591.979	592.195	592.251	592.201	592.209	592.216	592.281	592.331	592.395	592.357	592.337	592.266	592.201
CHAINAGE(Km)	14+700	14+710	14+720	14+730	14+740	14+750	14+760	14+770	14+780	14+790	14+800	14+810	14+820	14+830	14+840	14+850	14+860	14+870	14+880	14+890	14+900	14+910	14+920	14+930	14+940	14+950	14+960	14+970	14+980	14+990	15+000

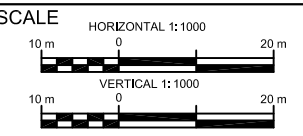
Government of Nepal
 Ministry of Federal Affairs and General Administration
 Department of Local Infrastructure (DoLI)
Rural Connectivity Improvement Project-phase 2
 (DoLI/RCIP/DPR-04/2019)

CONSULTANT:
ITECO - INCLUSIVE JV
 Sitapaila Chowk, Ring Road

ROAD NAME:
 Bijauri-Basdabara-Jmuni-Laxmipur-
 Dakchin-Kurariya-Kanjawar-Kothari
 Road
 Dang District

DATE: _____ REVISION: _____ SIGNATURE: _____

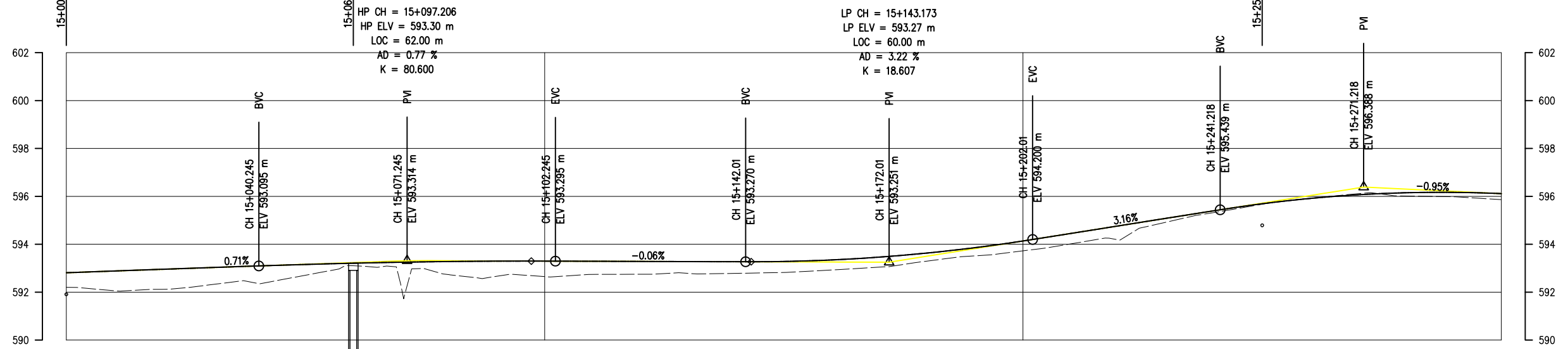
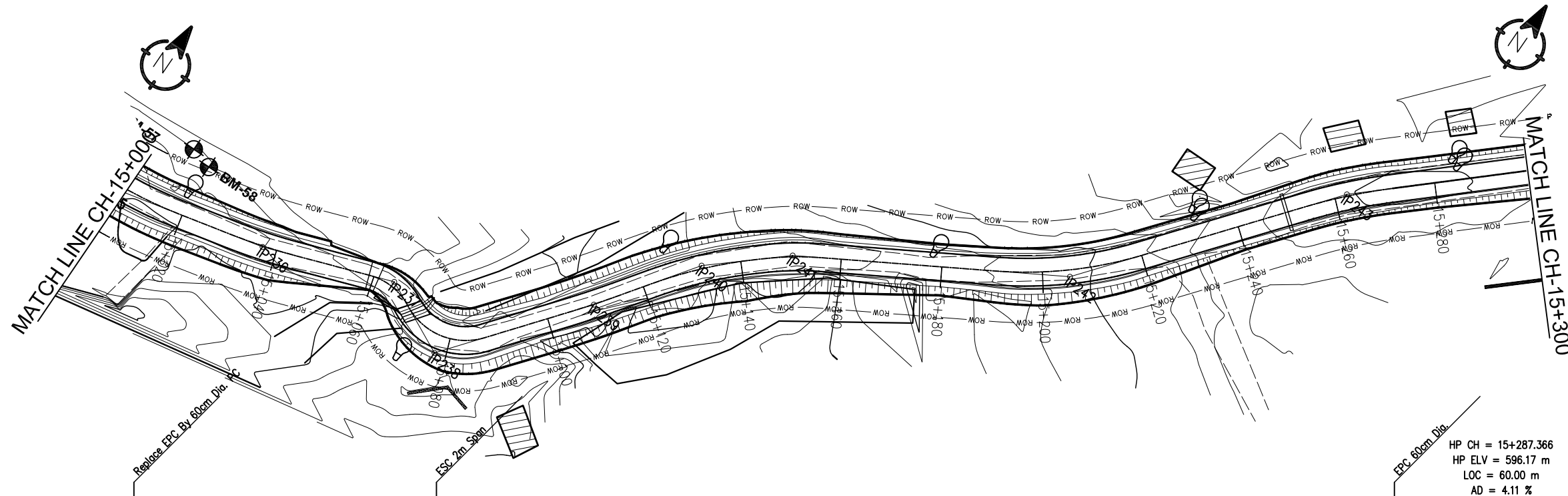
DESIGNED BY : _____
 DRAWN BY : _____
 CHECKED BY : _____
 APPROVED BY : _____



Plan & Profile
14+700-15+000

DATE: March 2022
 DRG NO : RCI2/DNG/BBJ/PP
 SHEET NO : **50**

IP No.	CO-ORDINATES(m)		WCB (D-M-S)	DIST. (m)	DEF. ANG. (D-M-S)	TAN. LEN. (m)	SIMPLE CURVE DATA			CHAINAGE			
	EASTING	NORTHING					R (m)	E (m)	LC (m)	BC	MC	EC	IP
235	632052.370	3103600.193	77-15-25.79	40.310	22-05-23.85	16.396	84.000	1.585	32.386	14+986.723	15+002.915	15+019.108	15+003.119
236	632085.959	3103607.789	70-36-45.48	34.437	06-38-40.31	6.966	120.000	0.202	13.916	15+030.183	15+037.141	15+044.099	15+037.149
237	632111.460	3103616.763	116-15-10.12	27.034	45-38-24.64	5.049	12.000	1.019	9.559	15+059.118	15+063.897	15+068.677	15+064.167
238	632125.959	3103609.612	38-57-48.79	16.167	77-17-20.33	10.394	13.000	3.645	17.536	15+089.400	15+078.188	15+088.936	15+079.794
239	632146.725	3103635.289	35-52-23.47	33.023	03-05-26.32	5.396	200.000	0.073	10.788	15+104.170	15+109.564	15+114.958	15+109.565
240	632160.045	3103653.708	49-27-52.90	22.731	13-35-29.43	10.606	89.000	0.630	21.112	15+121.687	15+132.243	15+142.799	15+132.293
241	632173.859	3103665.521	60-09-34.22	18.176	10-41-41.32	5.616	60.000	0.262	11.200	15+144.754	15+150.353	15+155.953	15+150.370
242	632221.697	3103692.963	39-14-34.22	55.150	20-54-59.99	14.767	80.000	1.351	29.205	15+190.720	15+205.323	15+219.925	15+205.467
243	632257.951	3103737.347	48-18-57.15	57.309	09-04-22.93	8.728	110.000	0.346	17.419	15+253.740	15+262.449	15+271.158	15+262.467



HP CH = 15+287.366
 HP ELV = 596.17 m
 LOC = 60.00 m
 AD = 4.11 %
 K = 14.594

HP CH = 15+097.206
 HP ELV = 593.30 m
 LOC = 62.00 m
 AD = 0.77 %
 K = 80.600

LP CH = 15+143.173
 LP ELV = 593.27 m
 LOC = 60.00 m
 AD = 3.22 %
 K = 18.607

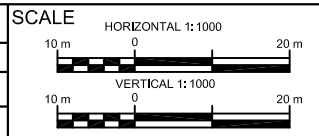
HORIZONTAL ALIGNMENT	RIGHT		LEFT		IP-235 R=84.00	IP-236 R=120.00	IP-237 R=12.00	IP-238 R=13.00	IP-239 R=200.00	IP-240 R=89.00	IP-241 R=60.00	IP-242 R=80.00	IP-243 R=110.00																		
	RIGHT	LEFT	RIGHT	LEFT																											
DESIGN LEVEL(m)	592.811	592.881	592.952	593.023	593.093	593.158	593.210	593.250	593.278	593.293	593.296	593.290	593.284	593.277	593.271	593.282	593.345	593.463	593.634	593.859	594.137	594.452	594.768	595.085	595.401	595.691	595.912	596.066	596.150	596.167	596.114
EXISTING LEVEL(m)	592.201	592.059	592.118	592.305	592.364	592.707	593.103	592.233	592.731	592.665	592.650	592.740	592.748	592.784	592.785	592.821	592.925	593.048	593.299	593.517	593.726	594.018	594.182	594.926	595.324	595.672	595.916	596.111	596.017	595.982	595.865
CHAINAGE(Km)	15+000	15+010	15+020	15+030	15+040	15+050	15+060	15+070	15+080	15+090	15+100	15+110	15+120	15+130	15+140	15+150	15+160	15+170	15+180	15+190	15+200	15+210	15+220	15+230	15+240	15+250	15+260	15+270	15+280	15+290	15+300

Government of Nepal
 Ministry of Federal Affairs and General Administration
 Department of Local Infrastructure (DoLI)
 Rural Connectivity Improvement Project-phase 2
 (DoLI/RCIP/DPR-04/2019)

CONSULTANT:
ITECO - INCLUSIVE JV
 Sitapaila Chowk, Ring Road

ROAD NAME:
 Bijauri-Basdabara-Jmuni-Laxmipur-
 Dakchin-Kurariya-Kanjawar-Kothari
 Road
 Dang District

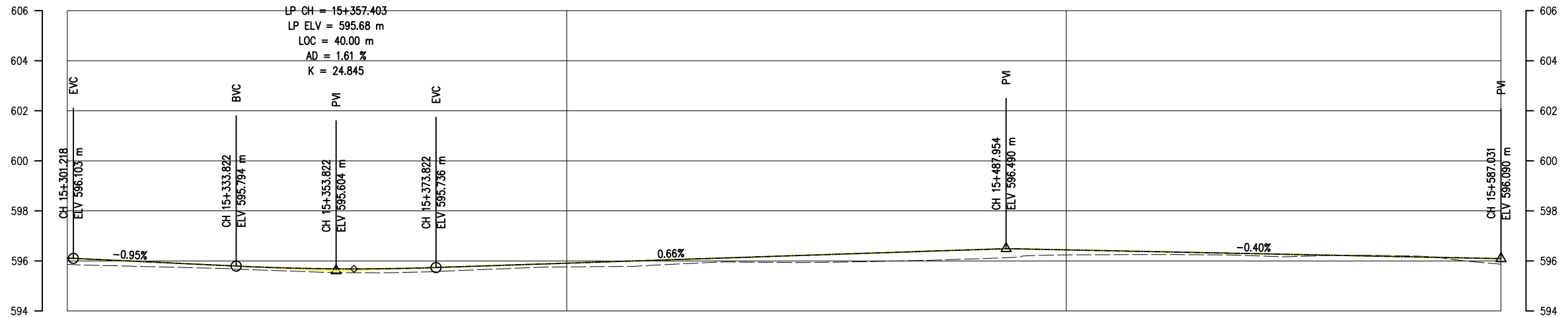
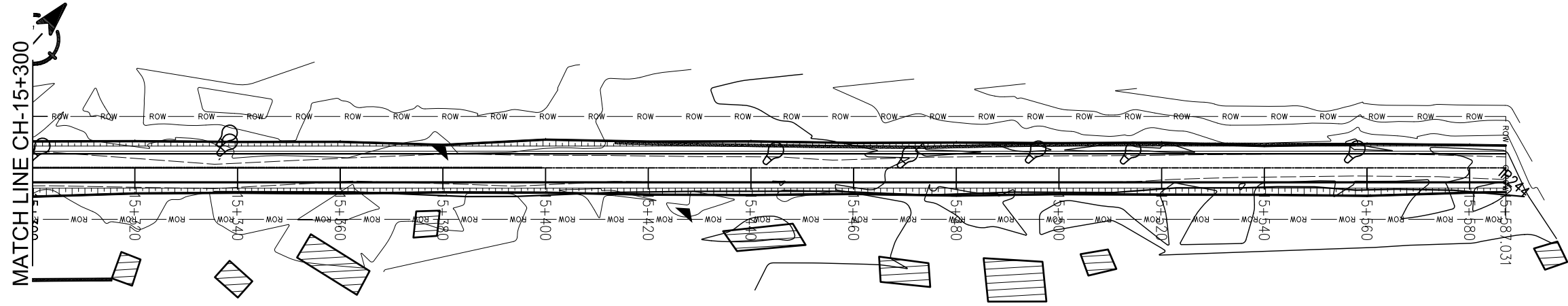
DATE: _____ REVISION: _____ SIGNATURE: _____
 DESIGNED BY: _____ DRAWN BY: _____
 CHECKED BY: _____ APPROVED BY: _____



Plan & Profile
 15+000-15+300

DATE: March 2022
 DRG NO: RCIP2/DNG/BBJ/PP
 SHEET NO: 51

IP No.	CO-ORDINATES(m)		WCB (0-M-S)	DIST. (m)	DEF. ANG. (0-M-S)	TAN. LEN. (m)	SIMPLE CURVE DATA			CHAINAGE			
	EASTING	NORTHING					R (m)	E (m)	LC (m)	BC	MC	EC	IP
243	632257.951	3103737.347	48-18-57.15	57.309	09-04-22.93	8.728	110.000	0.346	17.419	15+253.740	15+262.449	15+271.158	15+282.467



HORIZONTAL ALIGNMENT	RIGHT		LEFT																											
	DESIGN LEVEL(m)	EXISTING LEVEL(m)	DESIGN LEVEL(m)	EXISTING LEVEL(m)																										
CHAINAGE(Km)	15+300	15+310	15+320	15+330	15+340	15+350	15+360	15+370	15+380	15+390	15+400	15+410	15+420	15+430	15+440	15+450	15+460	15+470	15+480	15+490	15+500	15+510	15+520	15+530	15+540	15+550	15+560	15+570	15+580	15+587.03
DESIGN LEVEL(m)	596.114	596.020	595.925	595.830	595.743	595.693	595.683	595.714	595.777	595.843	595.909	595.975	596.041	596.107	596.174	596.240	596.306	596.372	596.438	596.482	596.442	596.401	596.361	596.321	596.280	596.240	596.199	596.159	596.119	596.090
EXISTING LEVEL(m)	595.865	595.802	595.754	595.705	595.628	595.557	595.528	595.553	595.629	595.709	595.760	595.777	595.854	595.947	595.945	595.942	595.971	596.013	596.072	596.148	596.241	596.250	596.252	596.241	596.189	596.199	596.222	596.194	595.991	595.866

Government of Nepal
Ministry of Federal Affairs and General Administration
Department of Local Infrastructure (DoLI)
Rural Connectivity Improvement Project-phase 2
(DoLI/RCIP/DPR-04/2019)

CONSULTANT:
ITECO - INCLUSIVE JV
Sitapaila Chowk, Ring Road

ROAD NAME :
Bijauri-Basdabara-Jmuni-Laxmipur-
Dakchin-Kurariya-Kanjawar-Kothari
Road
Dang District

DATE

REVISION

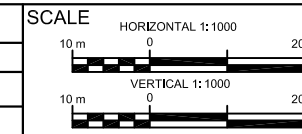
SIGNATURE

DESIGNED BY :

DRAWN BY :

CHECKED BY :

APPROVED BY :



Plan & Profile
15+300-15+587

DATE: March 2022

DRG NO : RCIP2/DNG/BBJ/PP

SHEET NO : **52**

Government of Nepal
Ministry of Federal Affairs and General Administration
Department of Local Infrastructure
Rural Connectivity Improvement Project (RCIP)
Project Coordination Unit (PCU)
Shreemahal, Pulchowk, Lalitpur

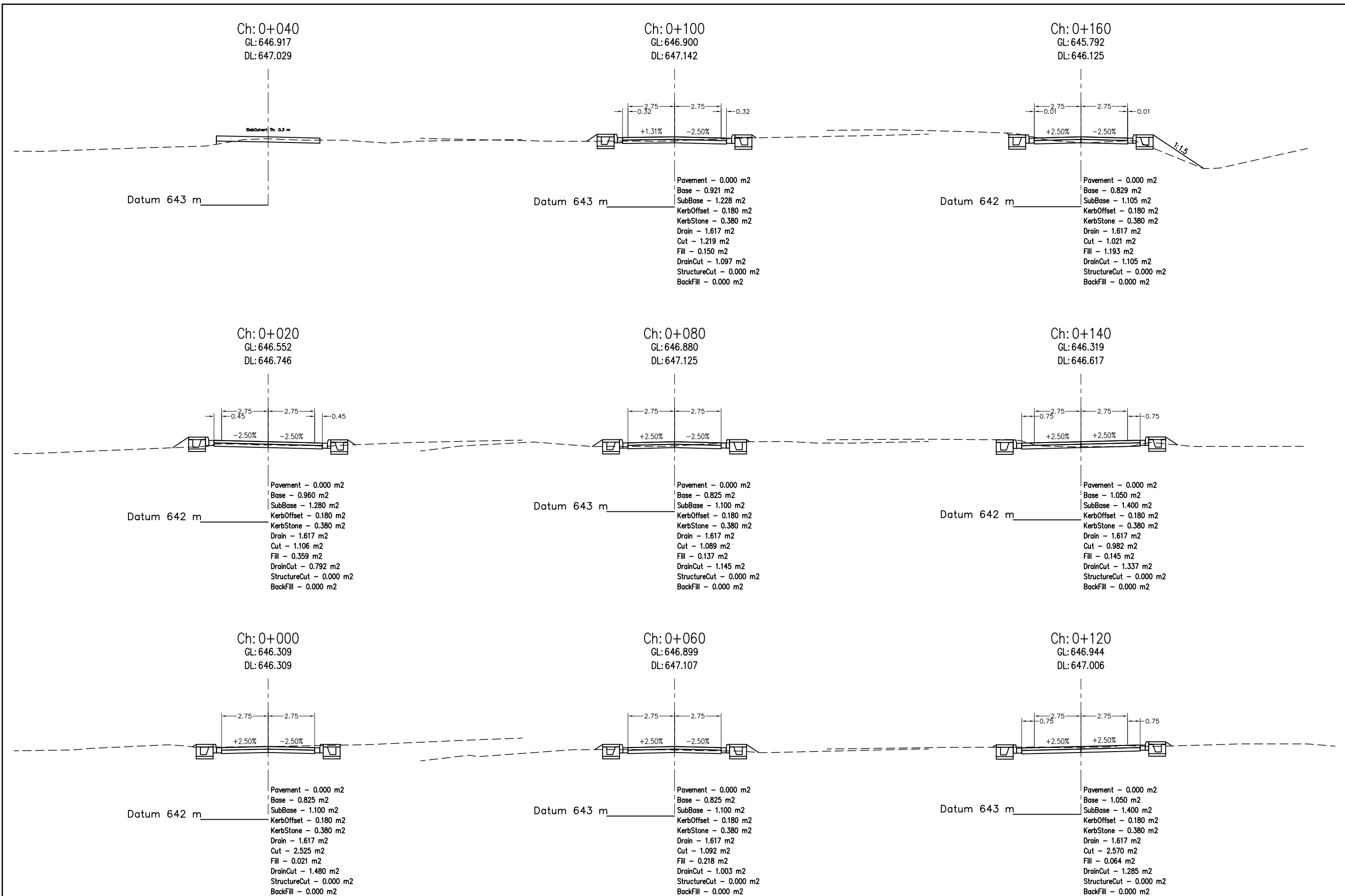
Detail Project Report
Of
Bijauri-Basdabara-Jamuni-Laxmipur-Dakchin-Kurhariya-Kanjawar-Kothari Road
(Dang District)

Preparation of Detail Project Report of Rural Connectivity Improvement Project (RCIP)-Phase 2
(Package No.- DoLI/RCIP/DPR-04/2019, Province No.5)

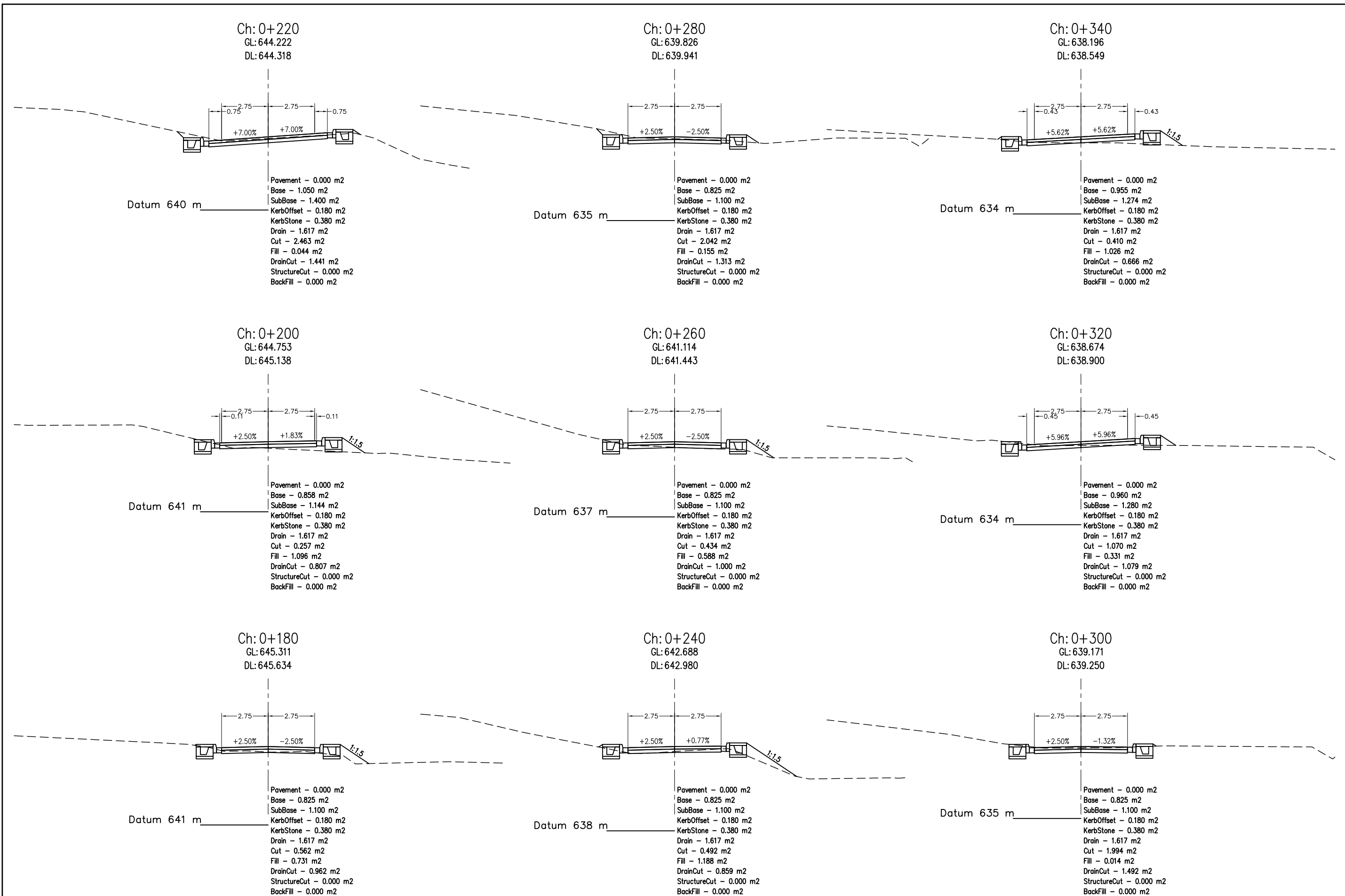
Volume 1.C Drawings
CROSS SECTION

Submitted By:
ITECO Nepal (P) Ltd.
Inclusive Consultants Pvt. Ltd.
(ITECO-Inclusive J/V)

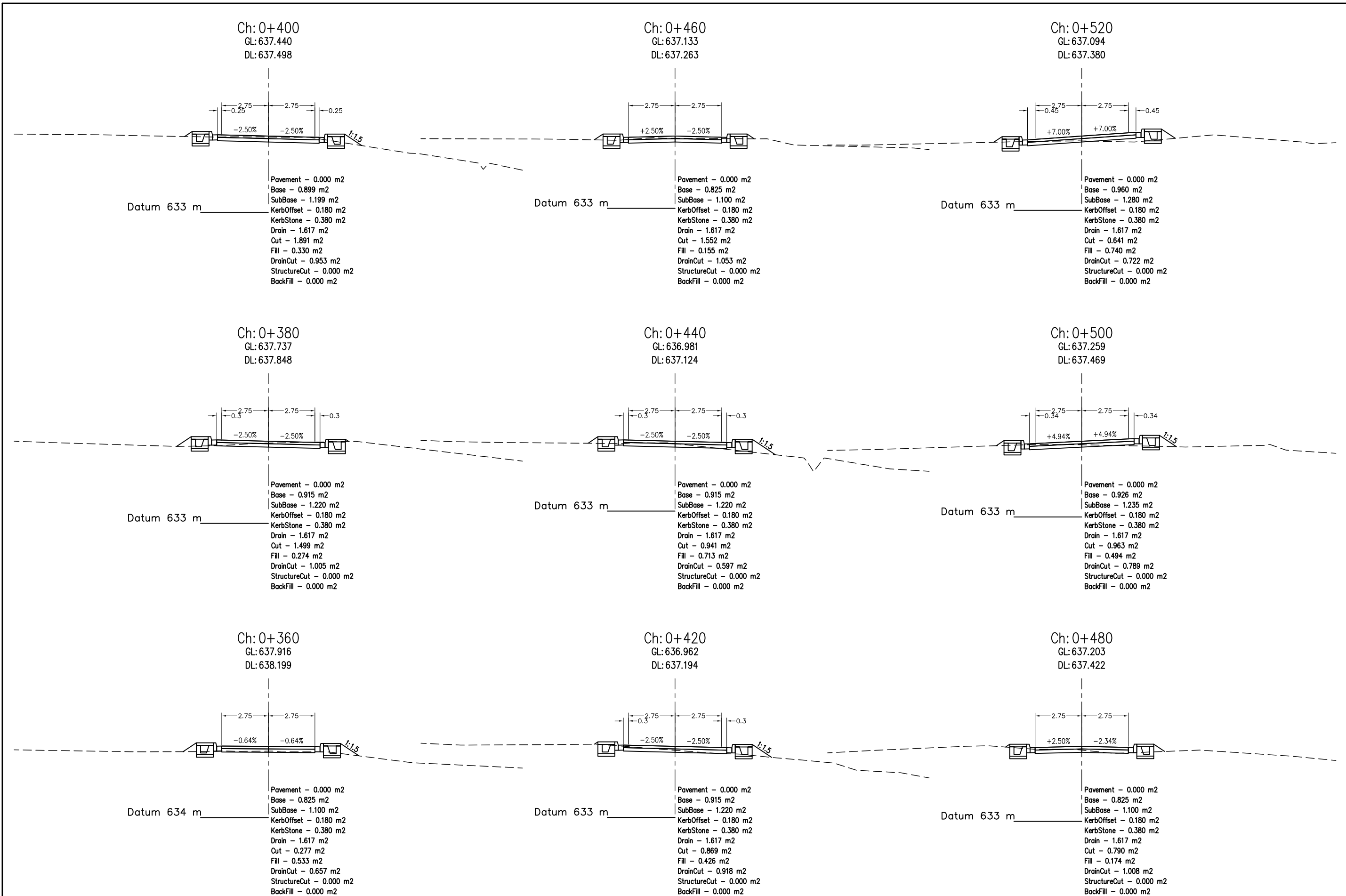
March 2022



Government of Nepal Ministry of Federal Affairs and General Administration Department of Local Infrastructure (DoLI) Rural Connectivity Improvement Project-phase 2 (DoLI/RCIP/DPR-04/2019)	CONSULTANT: ITECO - INCLUSIVE JV Sitapaila Chowk, Ring Road	ROAD NAME : Bijauri-Basdabara-Jmuni-Laxmipur- Dakchin-Kurariya-Kanjawar-Kothari Road Dang District	DATE	REVISION	SIGNATURE	DESIGNED BY :	SCALE 	Cross-Section 0+000-0+160	DATE: March 2022
			CHECKED BY :	DRG NO : RCIP2/DNG/BBJ/CX					
			APPROVED BY :	SHEET NO :					
			1						



Government of Nepal Ministry of Federal Affairs and General Administration Department of Local Infrastructure (DoLI) Rural Connectivity Improvement Project-phase 2 (DoLI/RCIP/DPR-04/2019)	CONSULTANT:	ROAD NAME :	DATE	REVISION	SIGNATURE	DESIGNED BY :	SCALE 	Cross-Section 0+180-0+340	DATE: March 2022
	ITECO - INCLUSIVE JV Sitapaila Chowk, Ring Road	Bijauri-Basdabara-Jmuni-Laxmipur-Dakchin-Kurariya-Kanjawar-Kothari Road Dang District				DRAWN BY :			DRG NO :RCIP2/DNG/BBJ/CX
						CHECKED BY :			SHEET NO :
						APPROVED BY :			2



Ch: 0+400
GL: 637.440
DL: 637.498

Ch: 0+460
GL: 637.133
DL: 637.263

Ch: 0+520
GL: 637.094
DL: 637.380

Ch: 0+380
GL: 637.737
DL: 637.848

Ch: 0+440
GL: 636.981
DL: 637.124

Ch: 0+500
GL: 637.259
DL: 637.469

Ch: 0+360
GL: 637.916
DL: 638.199

Ch: 0+420
GL: 636.962
DL: 637.194

Ch: 0+480
GL: 637.203
DL: 637.422

Pavement - 0.000 m2
Base - 0.899 m2
SubBase - 1.199 m2
KerbOffset - 0.180 m2
KerbStone - 0.380 m2
Drain - 1.617 m2
Cut - 1.891 m2
Fill - 0.330 m2
DrainCut - 0.953 m2
StructureCut - 0.000 m2
BackFill - 0.000 m2

Pavement - 0.000 m2
Base - 0.825 m2
SubBase - 1.100 m2
KerbOffset - 0.180 m2
KerbStone - 0.380 m2
Drain - 1.617 m2
Cut - 1.552 m2
Fill - 0.155 m2
DrainCut - 1.053 m2
StructureCut - 0.000 m2
BackFill - 0.000 m2

Pavement - 0.000 m2
Base - 0.960 m2
SubBase - 1.280 m2
KerbOffset - 0.180 m2
KerbStone - 0.380 m2
Drain - 1.617 m2
Cut - 0.641 m2
Fill - 0.740 m2
DrainCut - 0.722 m2
StructureCut - 0.000 m2
BackFill - 0.000 m2

Pavement - 0.000 m2
Base - 0.915 m2
SubBase - 1.220 m2
KerbOffset - 0.180 m2
KerbStone - 0.380 m2
Drain - 1.617 m2
Cut - 1.499 m2
Fill - 0.274 m2
DrainCut - 1.005 m2
StructureCut - 0.000 m2
BackFill - 0.000 m2

Pavement - 0.000 m2
Base - 0.915 m2
SubBase - 1.220 m2
KerbOffset - 0.180 m2
KerbStone - 0.380 m2
Drain - 1.617 m2
Cut - 0.941 m2
Fill - 0.713 m2
DrainCut - 0.597 m2
StructureCut - 0.000 m2
BackFill - 0.000 m2

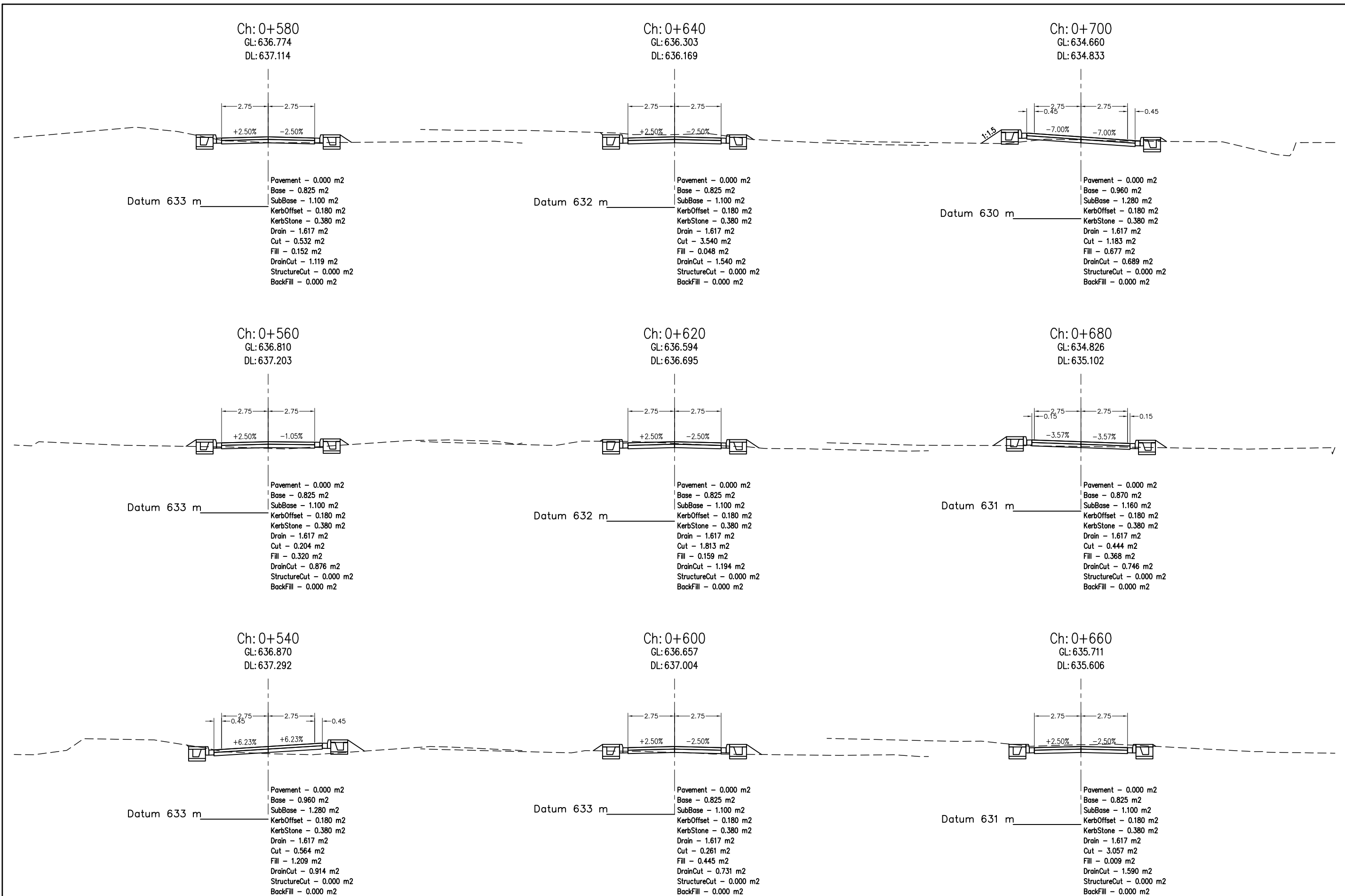
Pavement - 0.000 m2
Base - 0.926 m2
SubBase - 1.235 m2
KerbOffset - 0.180 m2
KerbStone - 0.380 m2
Drain - 1.617 m2
Cut - 0.963 m2
Fill - 0.494 m2
DrainCut - 0.789 m2
StructureCut - 0.000 m2
BackFill - 0.000 m2

Pavement - 0.000 m2
Base - 0.825 m2
SubBase - 1.100 m2
KerbOffset - 0.180 m2
KerbStone - 0.380 m2
Drain - 1.617 m2
Cut - 0.277 m2
Fill - 0.533 m2
DrainCut - 0.657 m2
StructureCut - 0.000 m2
BackFill - 0.000 m2

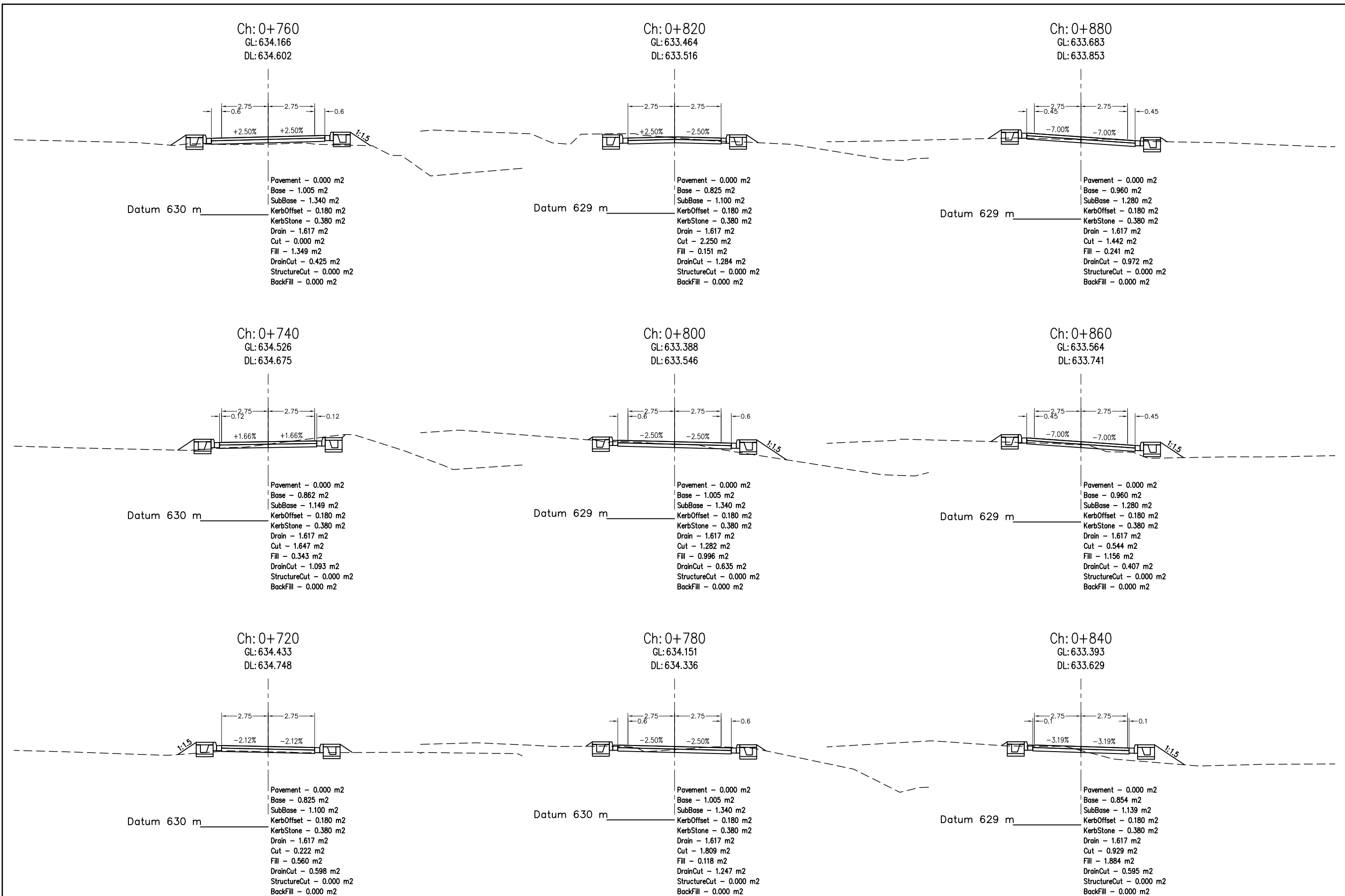
Pavement - 0.000 m2
Base - 0.915 m2
SubBase - 1.220 m2
KerbOffset - 0.180 m2
KerbStone - 0.380 m2
Drain - 1.617 m2
Cut - 0.869 m2
Fill - 0.426 m2
DrainCut - 0.918 m2
StructureCut - 0.000 m2
BackFill - 0.000 m2

Pavement - 0.000 m2
Base - 0.825 m2
SubBase - 1.100 m2
KerbOffset - 0.180 m2
KerbStone - 0.380 m2
Drain - 1.617 m2
Cut - 0.790 m2
Fill - 0.174 m2
DrainCut - 1.008 m2
StructureCut - 0.000 m2
BackFill - 0.000 m2

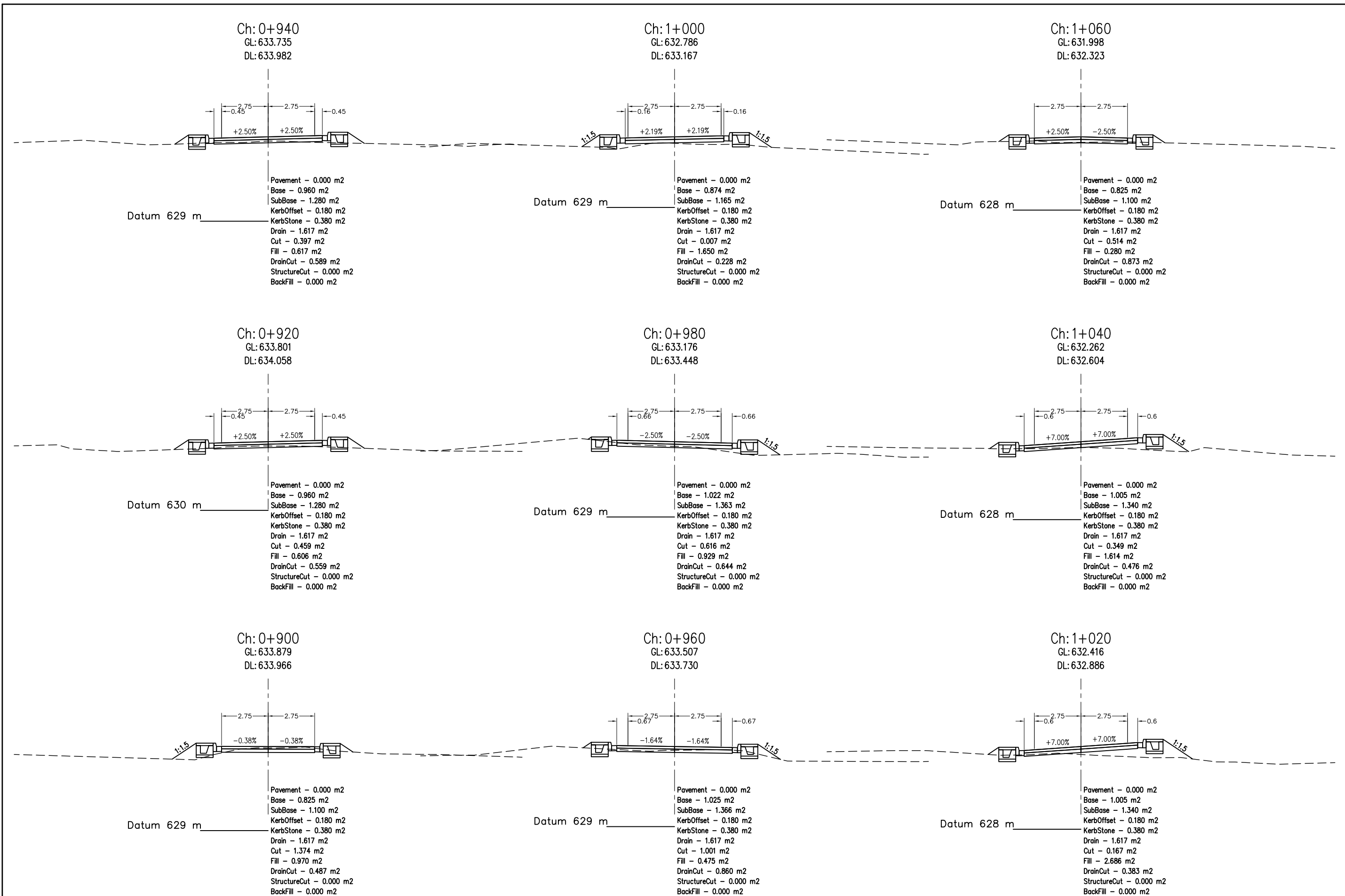
Government of Nepal Ministry of Federal Affairs and General Administration Department of Local Infrastructure (DoLI) Rural Connectivity Improvement Project-phase 2 (DoLI/RCIP/DPR-04/2019)	CONSULTANT:	ROAD NAME :	DATE	REVISION	SIGNATURE	DESIGNED BY :	SCALE 	Cross-Section 0+360-0+520	DATE: March 2022
	ITECO - INCLUSIVE JV Sitapaila Chowk, Ring Road	Bijauri-Basdabara-Jmuni-Laxmipur-Dakchin-Kurariya-Kanjawar-Kothari Road Dang District				DRAWN BY :			DRG NO : RCIP2/DNG/BBJ/CX
						CHECKED BY :			SHEET NO :
						APPROVED BY :			3



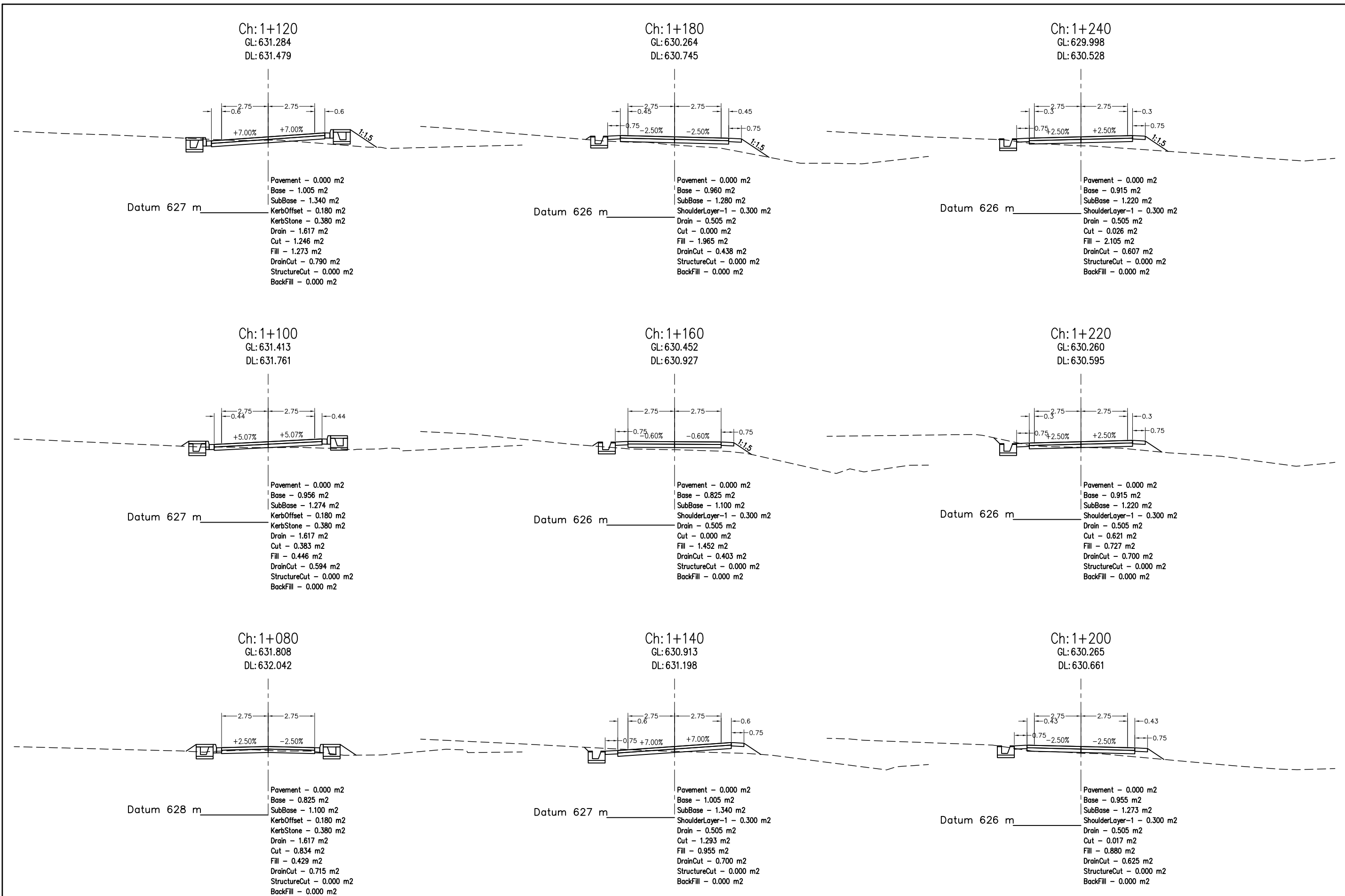
Government of Nepal Ministry of Federal Affairs and General Administration Department of Local Infrastructure (DoLI) Rural Connectivity Improvement Project-phase 2 (DoLI/RCIP/DPR-04/2019)	CONSULTANT: ITECO - INCLUSIVE JV Sitapaila Chowk, Ring Road	ROAD NAME : Bijauri-Basdabara-Jmuni-Laxmipur- Dakchin-Kurariya-Kanjawar-Kothari Road Dang District	DATE	REVISION	SIGNATURE	DESIGNED BY :	SCALE 	Cross-Section 0+540-0+700	DATE: March 2022
			CHECKED BY :	DRG NO :RCIP2/DNG/BBJ/CX					
			APPROVED BY :	SHEET NO :					
			4						



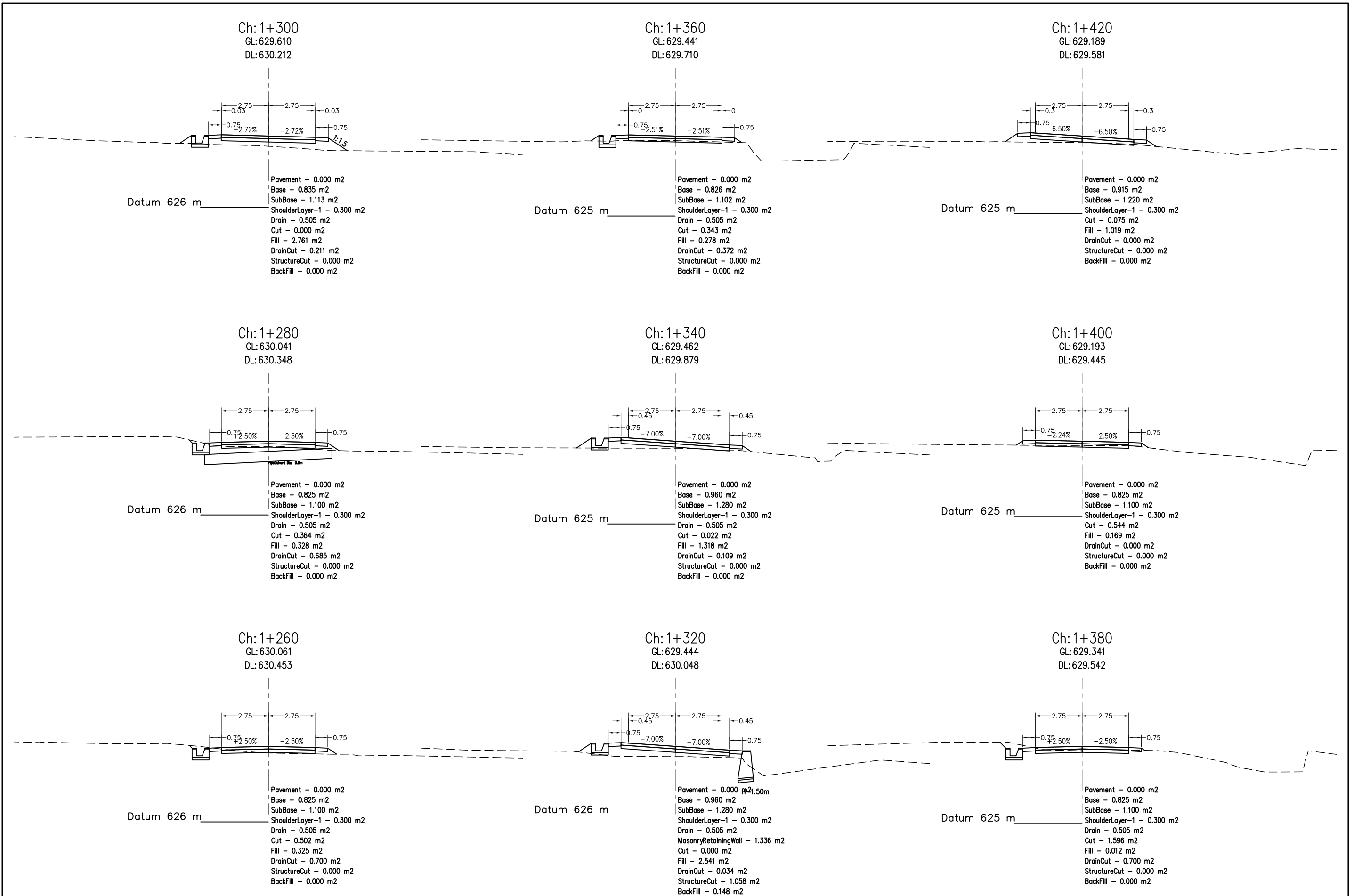
Government of Nepal Ministry of Federal Affairs and General Administration Department of Local Infrastructure (DoLI) Rural Connectivity Improvement Project-phase 2 (DoLI/RCIP/DPR-04/2019)	CONSULTANT:	ROAD NAME :	DATE	REVISION	SIGNATURE	DESIGNED BY :	SCALE 	Cross-Section 0+720-0+880	DATE: March 2022
	ITECO - INCLUSIVE JV Sitapaila Chowk, Ring Road	Bijauri-Basdabara-Jmuni-Laxmipur-Dakchin-Kurariya-Kanjawar-Kothari Road Dang District				DRAWN BY :			DRG NO : RCIP2/DNG/BBJ/CX
						CHECKED BY :			SHEET NO :
						APPROVED BY :			5



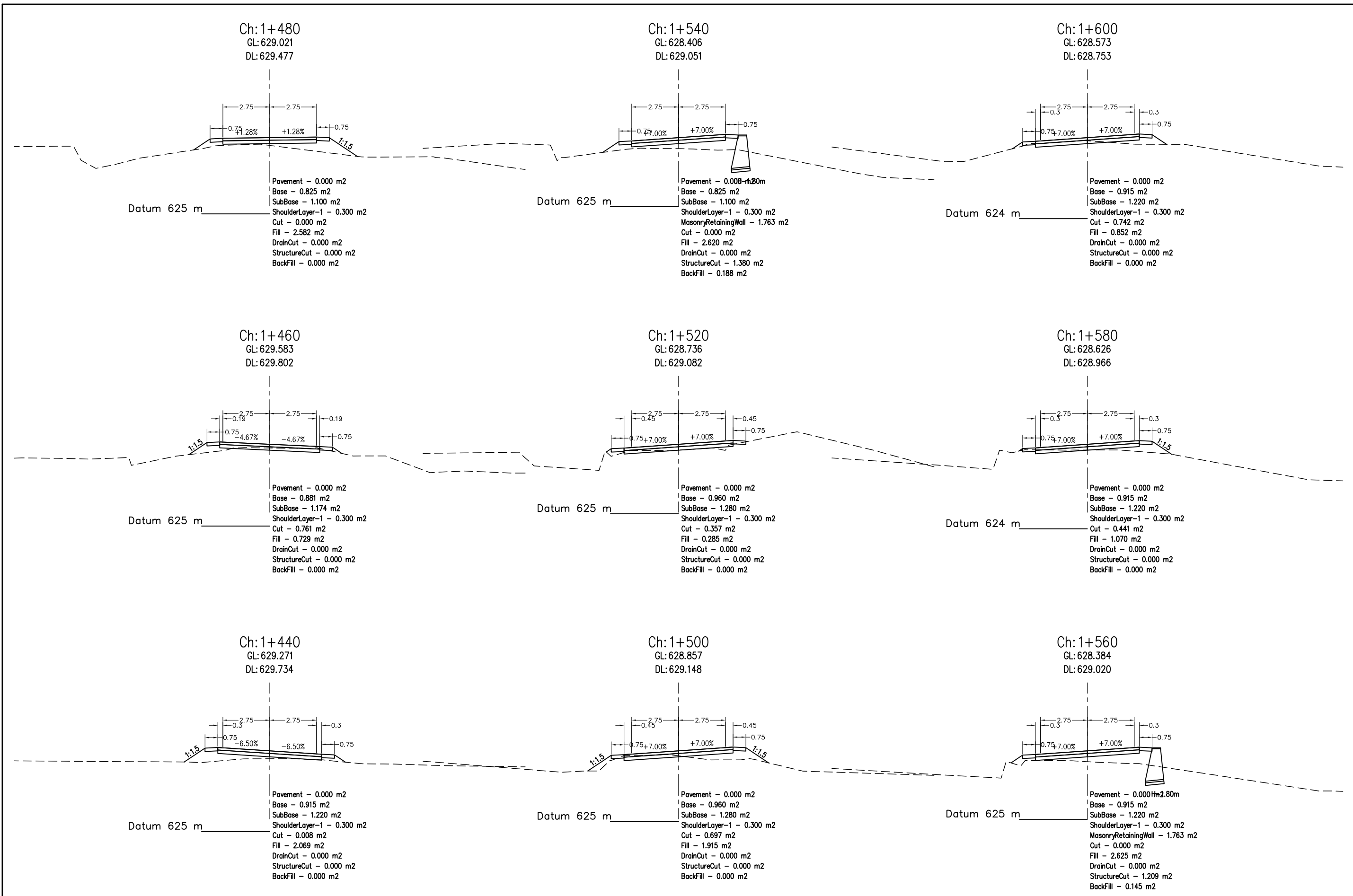
Government of Nepal Ministry of Federal Affairs and General Administration Department of Local Infrastructure (DoLI) Rural Connectivity Improvement Project-phase 2 (DoLI/RCIP/DPR-04/2019)	CONSULTANT:	ROAD NAME :	DATE	REVISION	SIGNATURE	DESIGNED BY :	SCALE 	Cross-Section 0+900-1+060	DATE: March 2022
	ITECO - INCLUSIVE JV Sitapaila Chowk, Ring Road	Bijauri-Basdabara-Jmuni-Laxmipur-Dakchin-Kurariya-Kanjawar-Kothari Road Dang District				DRAWN BY :			DRG NO : RCIP2/DNG/BBJ/CX
						CHECKED BY :			SHEET NO :
						APPROVED BY :			6



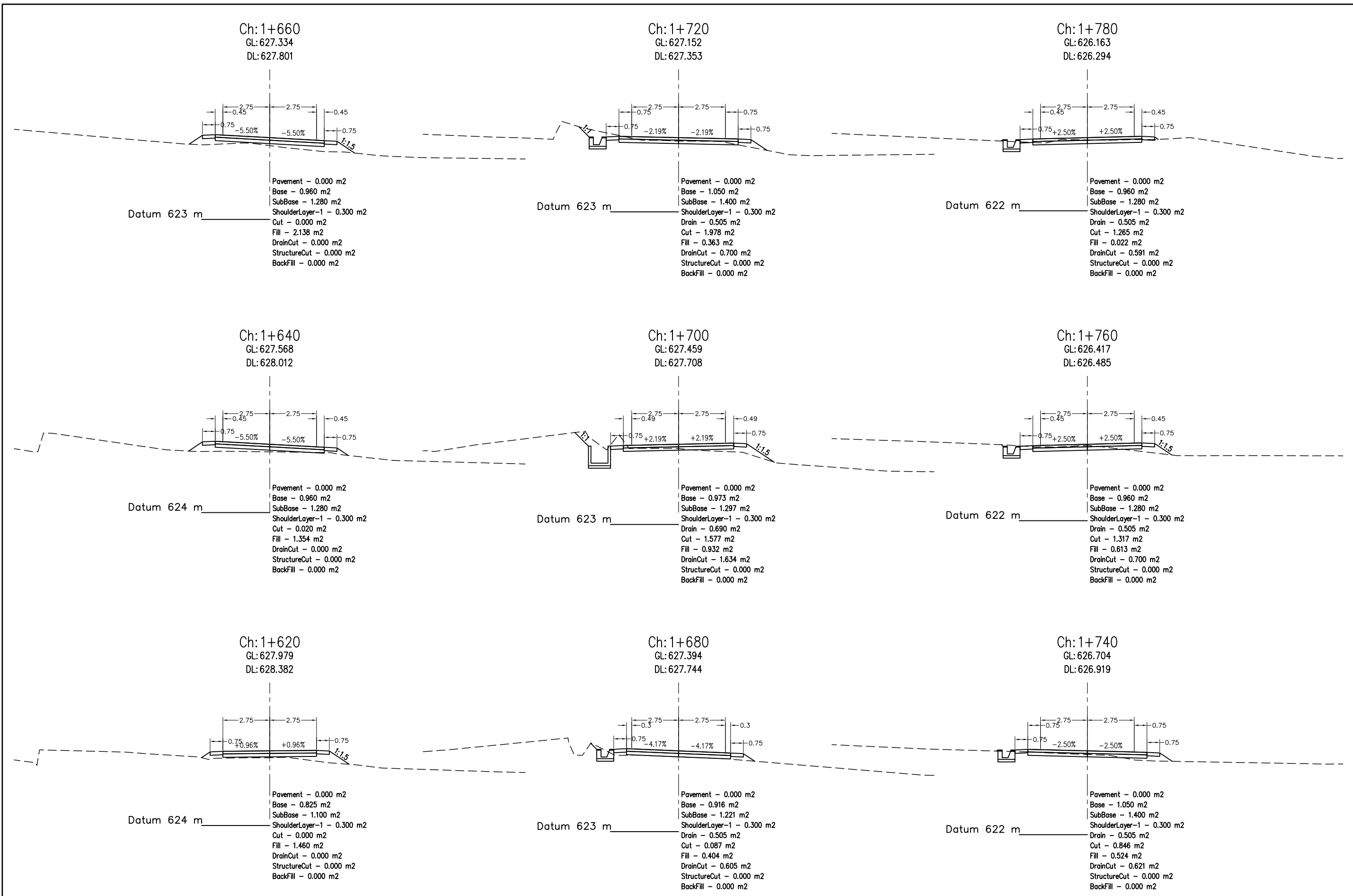
Government of Nepal Ministry of Federal Affairs and General Administration Department of Local Infrastructure (DoLI) Rural Connectivity Improvement Project-phase 2 (DoLI/RCIP/DPR-04/2019)	CONSULTANT:	ROAD NAME :	DATE	REVISION	SIGNATURE	DESIGNED BY :	SCALE 	Cross-Section 1+080-1+240	DATE: March 2022
	ITECO - INCLUSIVE JV Sitapaila Chowk, Ring Road	Bijauri-Basdabara-Jmuni-Laxmipur-Dakchin-Kurariya-Kanjawar-Kothari Road Dang District				DRAWN BY :			DRG NO : RCIIP2/DNG/BBJ/CX
						CHECKED BY :			SHEET NO :
						APPROVED BY :			7



Government of Nepal Ministry of Federal Affairs and General Administration Department of Local Infrastructure (DoLI) Rural Connectivity Improvement Project-phase 2 (DoLI/RCIP/DPR-04/2019)	CONSULTANT:	ROAD NAME :	DATE	REVISION	SIGNATURE	DESIGNED BY :	SCALE 	Cross-Section 1+260-1+420	DATE: March 2022
	ITECO - INCLUSIVE JV Sitapaila Chowk, Ring Road	Bijauri-Basdabara-Jmuni-Laxmipur-Dakchin-Kurariya-Kanjawar-Kothari Road Dang District				DRAWN BY :			DRG NO : RCIIP2/DNG/BBJ/CX
						CHECKED BY :			SHEET NO :
						APPROVED BY :			8



Government of Nepal Ministry of Federal Affairs and General Administration Department of Local Infrastructure (DoLI) Rural Connectivity Improvement Project-phase 2 (DoLI/RCIP/DPR-04/2019)	CONSULTANT: ITECO - INCLUSIVE JV Sitapaila Chowk, Ring Road	ROAD NAME : Bijauri-Basdabara-Jmuni-Laxmipur- Dakchin-Kurariya-Kanjawar-Kothari Road Dang District	DATE	REVISION	SIGNATURE	DESIGNED BY :	SCALE 	Cross-Section 1+440-1+600	DATE: March 2022
						DRAWN BY :			DRG NO : RCI/P2/DNG/BBJ/CX
						CHECKED BY :			SHEET NO :
						APPROVED BY :			9



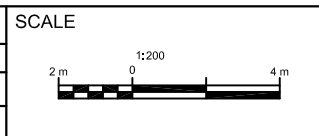
Government of Nepal
 Ministry of Federal Affairs and General Administration
 Department of Local Infrastructure (DoLI)
Rural Connectivity Improvement Project-phase 2
 (DoLI/RCIP/DPR-04/2019)

CONSULTANT:
ITECO - INCLUSIVE JV
 Sitapaila Chowk, Ring Road

ROAD NAME :
 Bijauri-Basdabara-Jmuni-Laxmipur-
 Dakchin-Kurariya-Kanjawar-Kothari
 Road
 Dang District

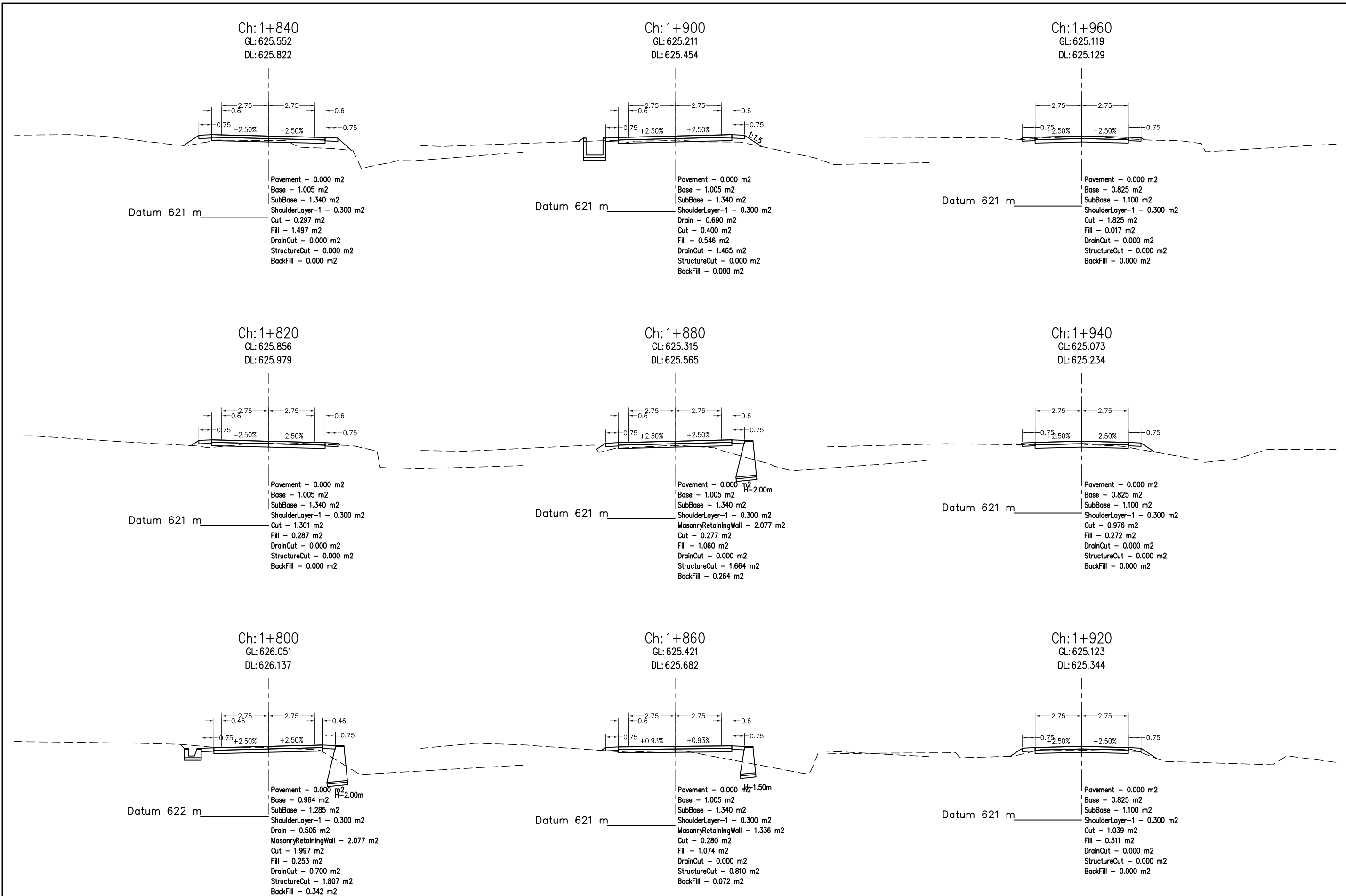
DATE	REVISION	SIGNATURE

DESIGNED BY :
DRAWN BY :
CHECKED BY :
APPROVED BY :

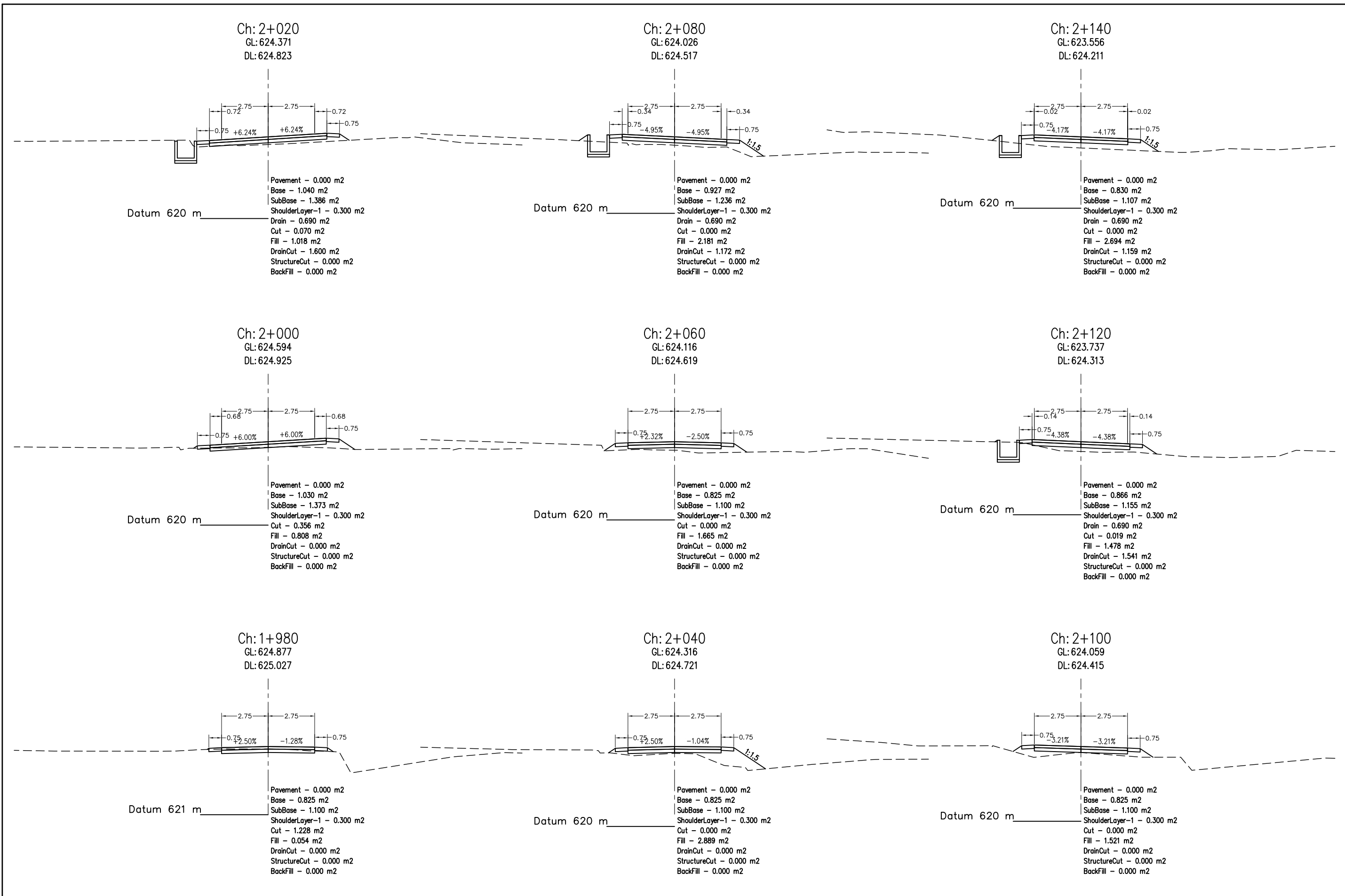


Cross-Section
 1+620-1+780

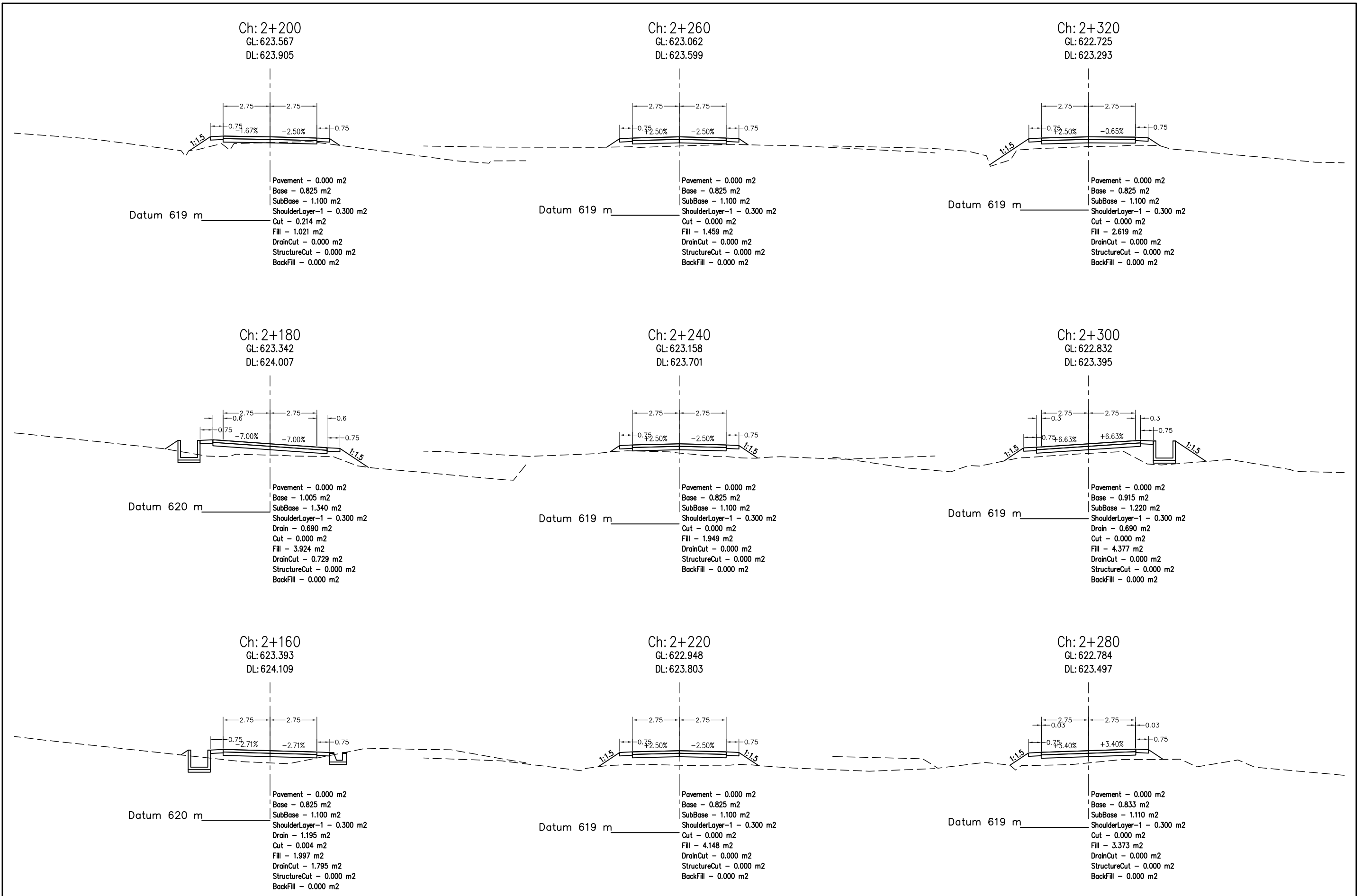
DATE: March 2022
 DRG NO : RCIIP2/DNG/BBJ/CX
 SHEET NO : 10



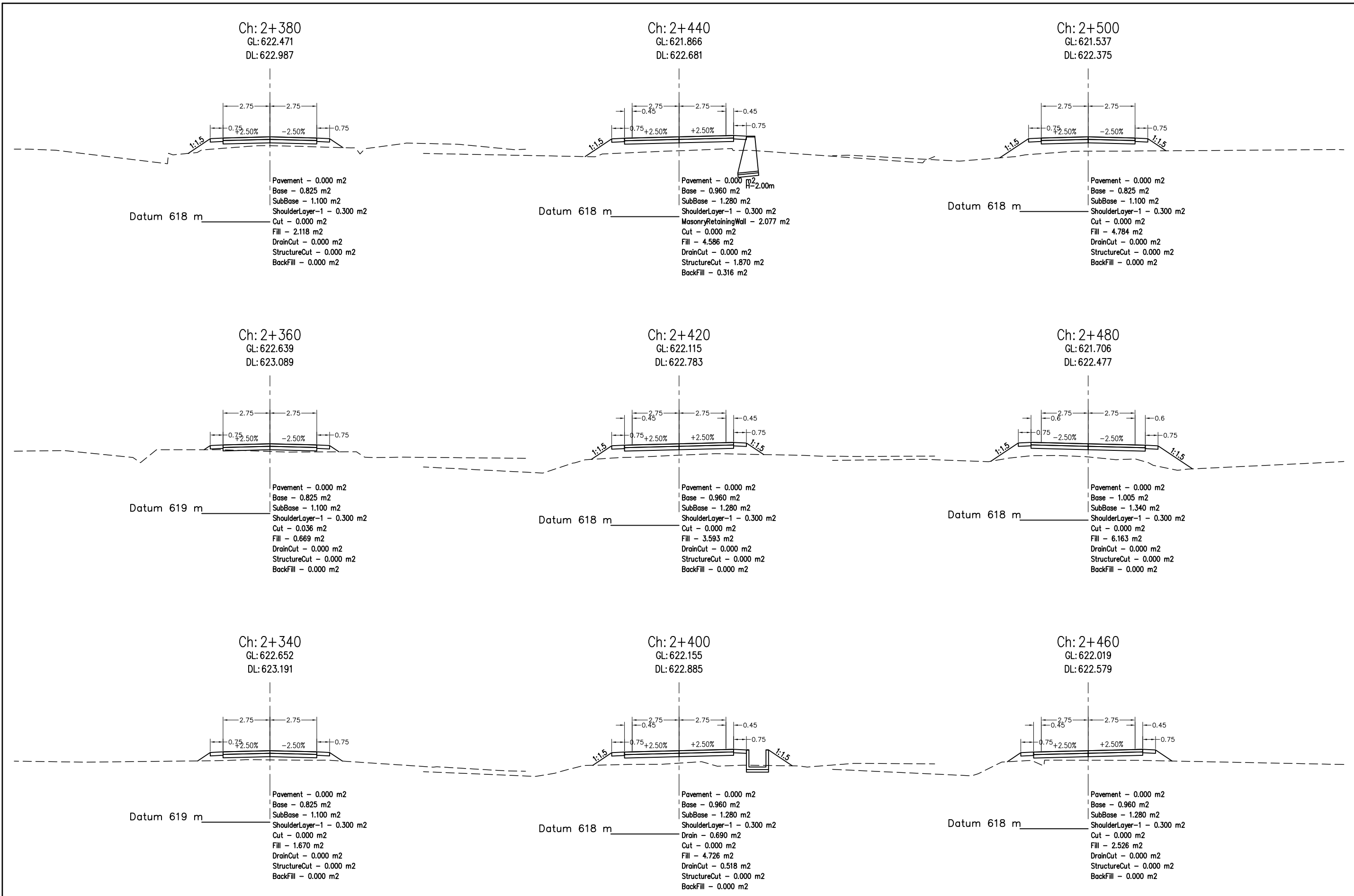
Government of Nepal Ministry of Federal Affairs and General Administration Department of Local Infrastructure (DoLI) Rural Connectivity Improvement Project-phase 2 (DoLI/RCIP/DPR-04/2019)	CONSULTANT:	ROAD NAME :	DATE	REVISION	SIGNATURE	DESIGNED BY :	SCALE 	Cross-Section 1+800-1+960	DATE: March 2022
	ITECO - INCLUSIVE JV Sitapaila Chowk, Ring Road	Bijauri-Basdabara-Jmuni-Laxmipur- Dakchin-Kurariya-Kanjawar-Kothari Road Dang District				DRAWN BY :			DRG NO : RCIP2/DNG/BBJ/CX
						CHECKED BY :			SHEET NO :
						APPROVED BY :			11



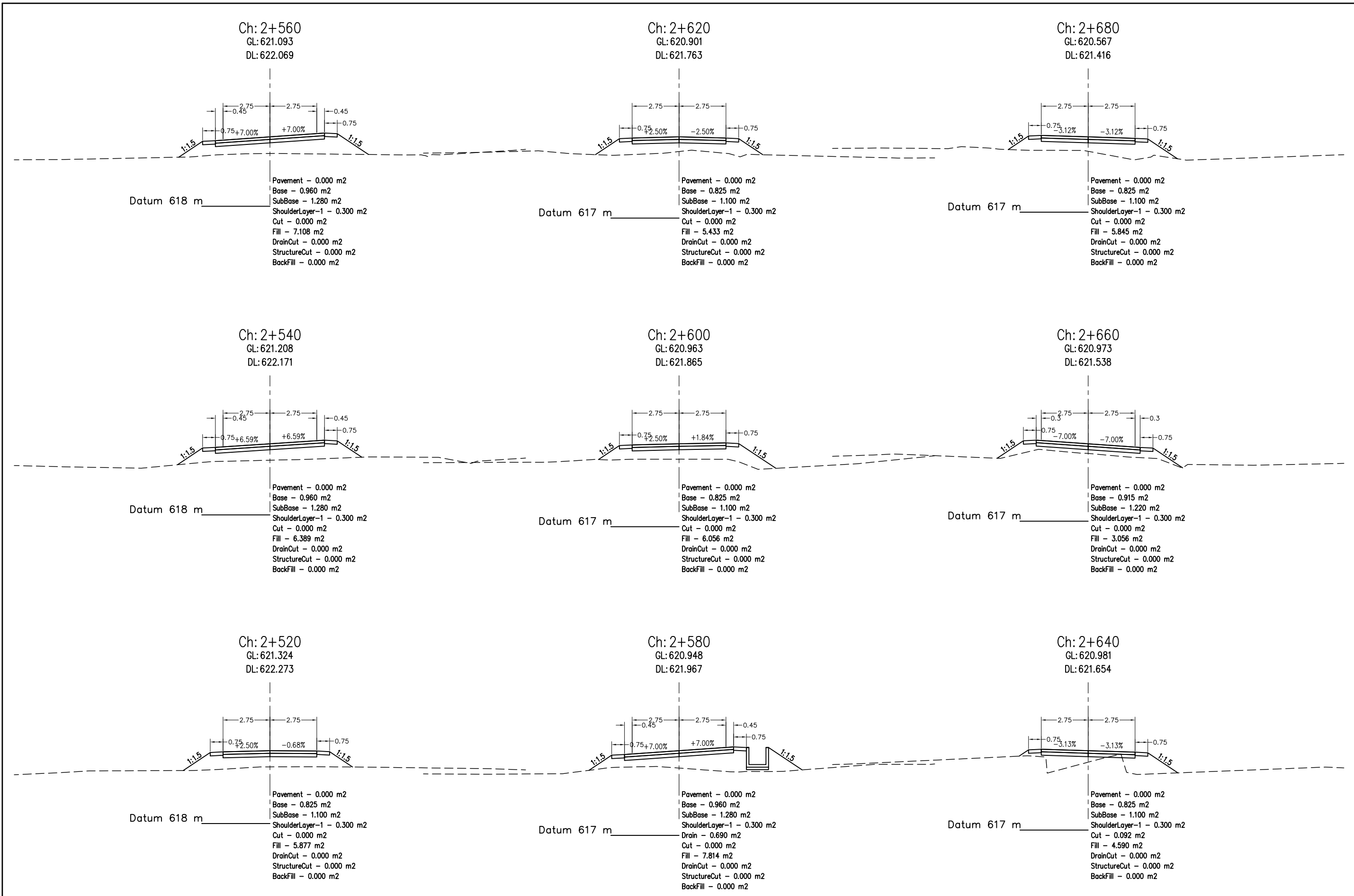
Government of Nepal Ministry of Federal Affairs and General Administration Department of Local Infrastructure (DoLI) Rural Connectivity Improvement Project-phase 2 (DoLI/RCIP/DPR-04/2019)	CONSULTANT: ITECO - INCLUSIVE JV Sitapaila Chowk, Ring Road	ROAD NAME : Bijauri-Basdabara-Jmuni-Laxmipur- Dakchin-Kurariya-Kanjawar-Kothari Road Dang District	DATE	REVISION	SIGNATURE	DESIGNED BY :	SCALE 	Cross-Section 1+980-2+140	DATE: March 2022
						DRAWN BY :			DRG NO : RCI/2/DNG/BBJ/CX
						CHECKED BY :			SHEET NO :
						APPROVED BY :			12



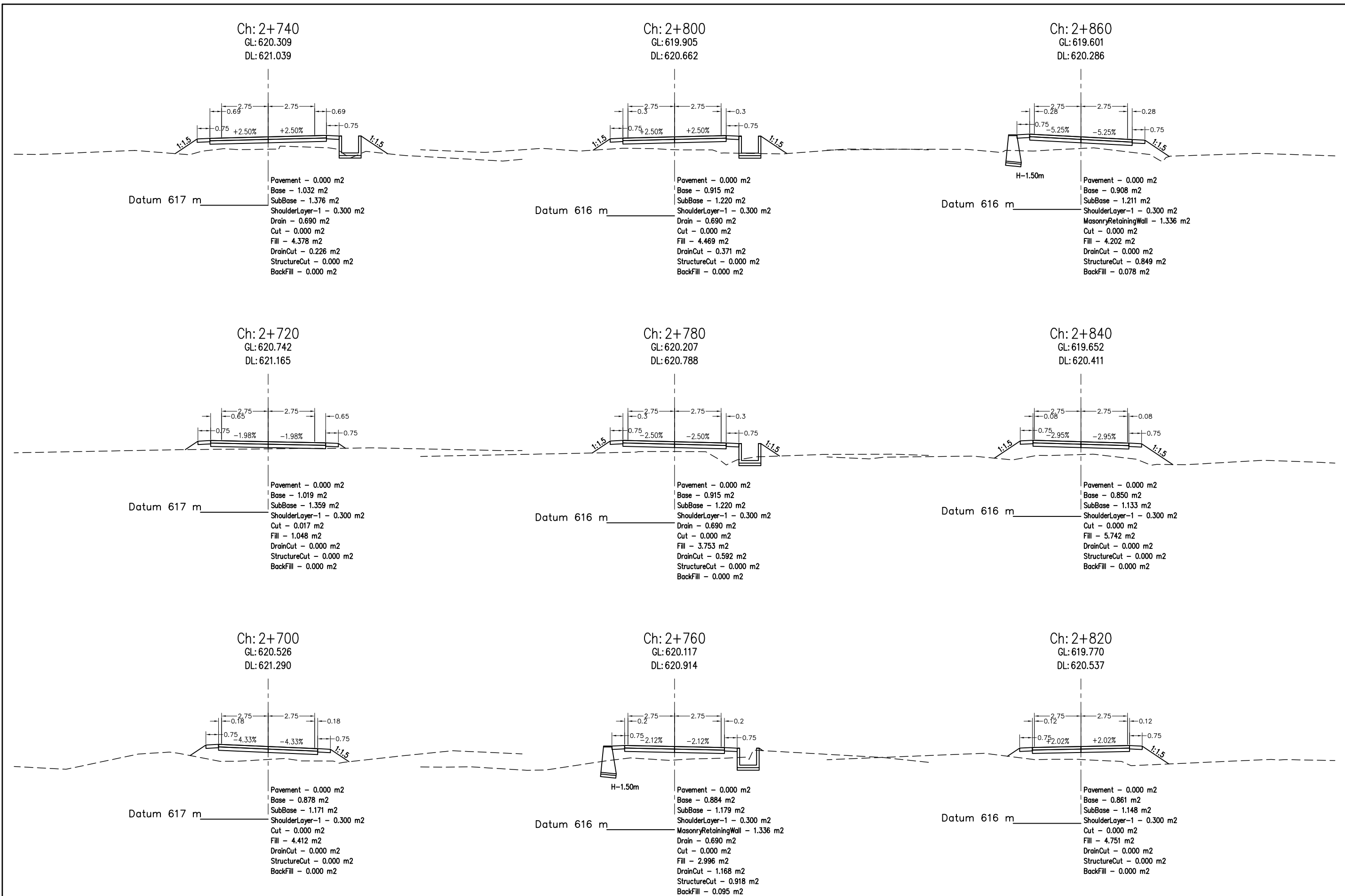
Government of Nepal Ministry of Federal Affairs and General Administration Department of Local Infrastructure (DoLI) Rural Connectivity Improvement Project-phase 2 (DoLI/RCIP/DPR-04/2019)	CONSULTANT: ITECO - INCLUSIVE JV Sitapaila Chowk, Ring Road	ROAD NAME : Bijauri-Basdabara-Jmuni-Laxmipur- Dakchin-Kurariya-Kanjawar-Kothari Road Dang District	DATE	REVISION	SIGNATURE	DESIGNED BY : DRAWN BY : CHECKED BY : APPROVED BY :	SCALE 	Cross-Section 2+160-2+320	DATE: March 2022 DRG NO : RCIP2/DNG/BBJ/CX SHEET NO : 13
--	--	--	------	----------	-----------	--	-----------	--	---



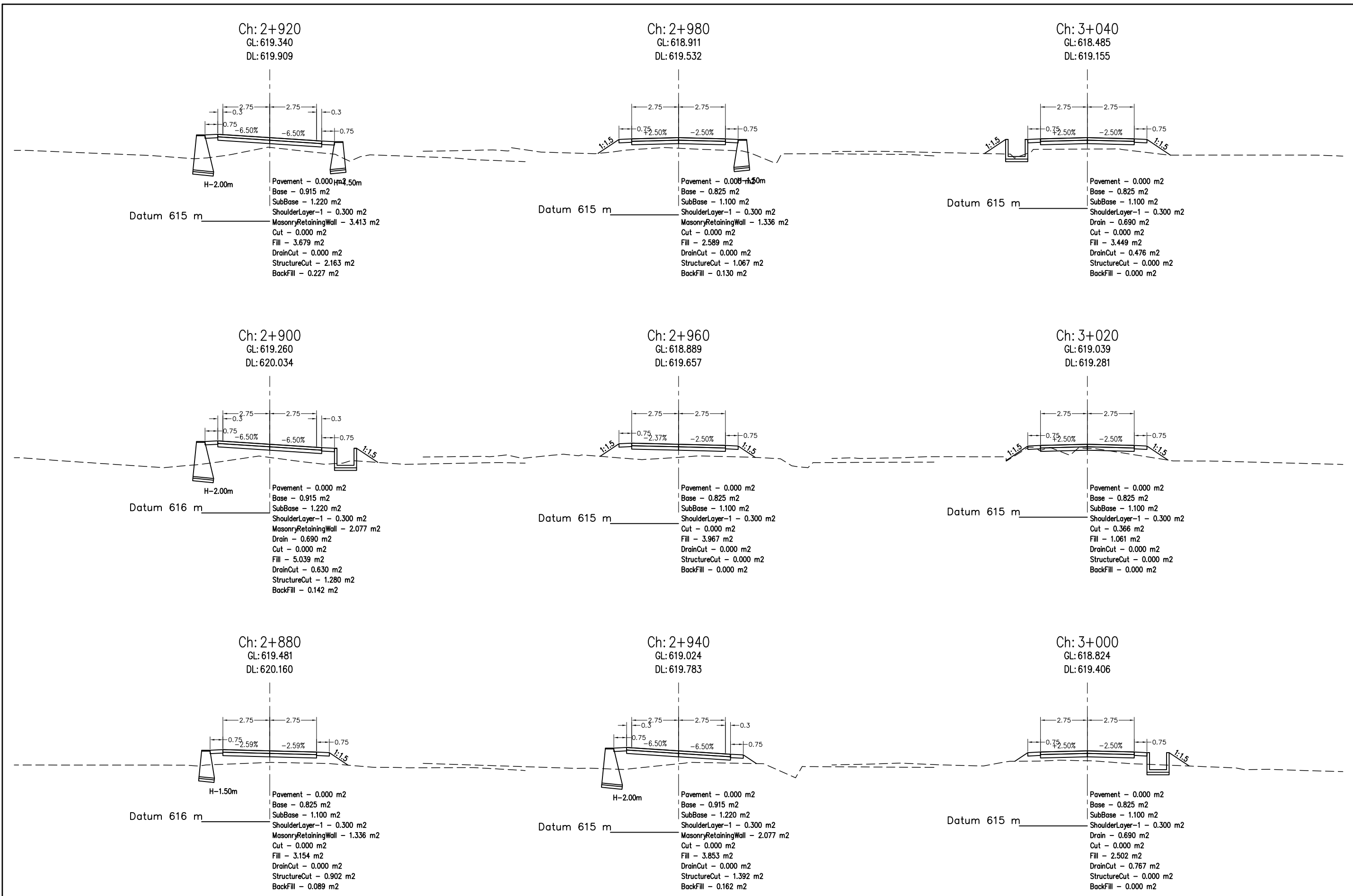
Government of Nepal Ministry of Federal Affairs and General Administration Department of Local Infrastructure (DoLI) Rural Connectivity Improvement Project-phase 2 (DoLI/RCIP/DPR-04/2019)	CONSULTANT:	ROAD NAME :	DATE	REVISION	SIGNATURE	DESIGNED BY :	SCALE 	Cross-Section 2+340-2+500	DATE: March 2022
	ITECO - INCLUSIVE JV	Bijauri-Basdabara-Jmuni-Laxmipur-Dakchin-Kurariya-Kanjawar-Kothari Road				DRAWN BY :			DRG NO : RCIP2/DNG/BBJ/CX
	Sitapaila Chowk, Ring Road	Dang District				CHECKED BY :			SHEET NO : 14
						APPROVED BY :			



Government of Nepal Ministry of Federal Affairs and General Administration Department of Local Infrastructure (DoLI) Rural Connectivity Improvement Project-phase 2 (DoLI/RCIP/DPR-04/2019)	CONSULTANT: ITECO - INCLUSIVE JV Sitapaila Chowk, Ring Road	ROAD NAME : Bijauri-Basdabara-Jmuni-Laxmipur- Dakchin-Kurariya-Kanjawar-Kothari Road Dang District	DATE	REVISION	SIGNATURE	DESIGNED BY :	SCALE 	Cross-Section 2+520-2+680	DATE: March 2022
						DRAWN BY :			DRG NO : RCI/P2/DNG/BBJ/CX
						CHECKED BY :			SHEET NO :
						APPROVED BY :			15

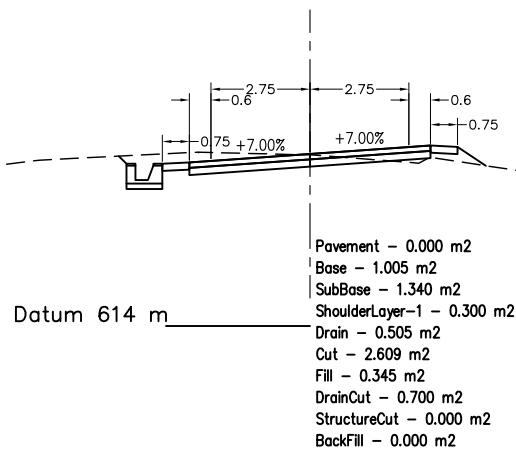


Government of Nepal Ministry of Federal Affairs and General Administration Department of Local Infrastructure (DoLI) Rural Connectivity Improvement Project-phase 2 (DoLI/RCIP/DPR-04/2019)	CONSULTANT: ITECO - INCLUSIVE JV Sitapaila Chowk, Ring Road	ROAD NAME : Bijauri-Basdabara-Jmuni-Laxmipur- Dakchin-Kurariya-Kanjawar-Kothari Road Dang District	DATE	REVISION	SIGNATURE	DESIGNED BY :	SCALE 	Cross-Section 2+700-2+860	DATE: March 2022
			CHECKED BY :	DRG NO : RCI/P2/DNG/BBJ/CX					
			APPROVED BY :	SHEET NO :					
			16						

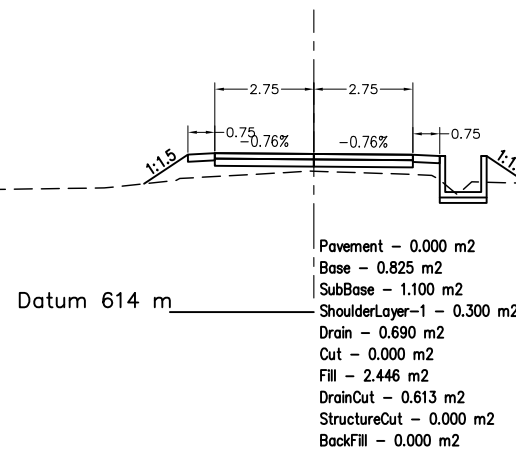


Government of Nepal Ministry of Federal Affairs and General Administration Department of Local Infrastructure (DoLI) Rural Connectivity Improvement Project-phase 2 (DoLI/RCIP/DPR-04/2019)	CONSULTANT:	ROAD NAME :	DATE	REVISION	SIGNATURE	DESIGNED BY :	SCALE 	Cross-Section 2+880-3+040	DATE: March 2022
	ITECO - INCLUSIVE JV Sitapaila Chowk, Ring Road	Bijauri-Basdabara-Jmuni-Laxmipur-Dakchin-Kurariya-Kanjawar-Kothari Road Dang District				DRAWN BY :			DRG NO : RCI/P2/DNG/BBJ/CX
						CHECKED BY :			SHEET NO :
						APPROVED BY :			17

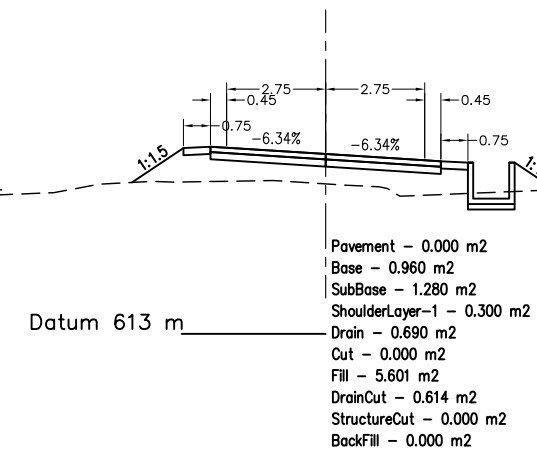
Ch: 3+100
GL: 618.756
DL: 618.778



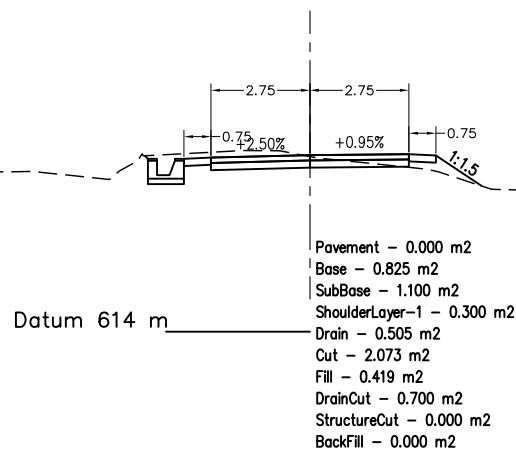
Ch: 3+160
GL: 617.912
DL: 618.390



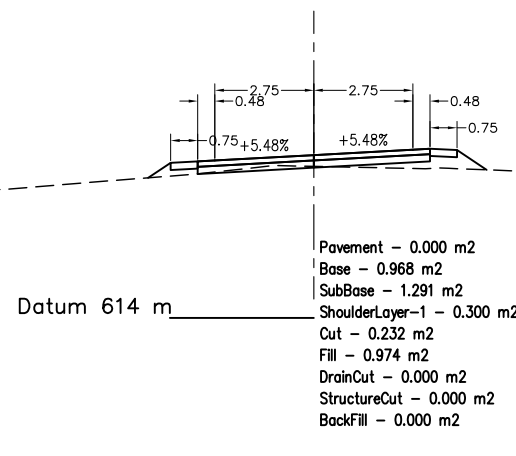
Ch: 3+220
GL: 617.164
DL: 617.995



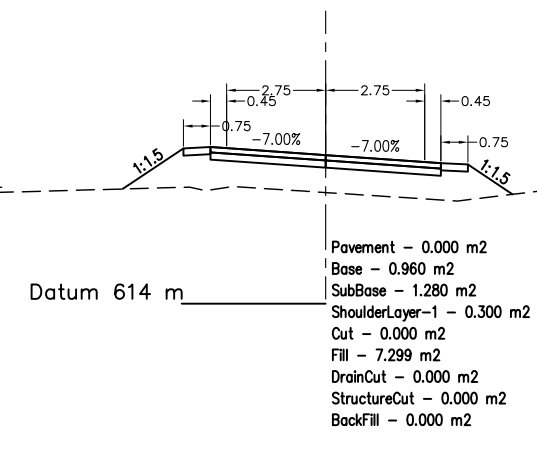
Ch: 3+080
GL: 618.863
DL: 618.904



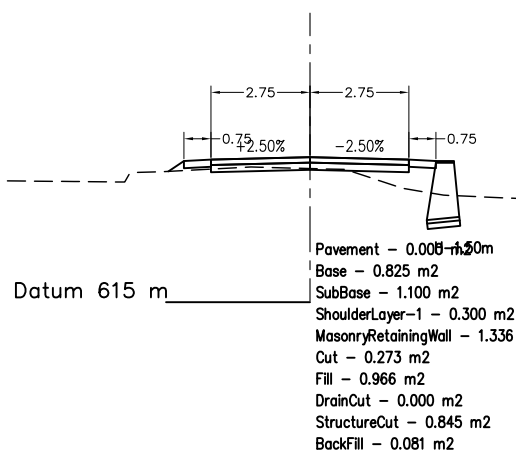
Ch: 3+140
GL: 618.208
DL: 618.521



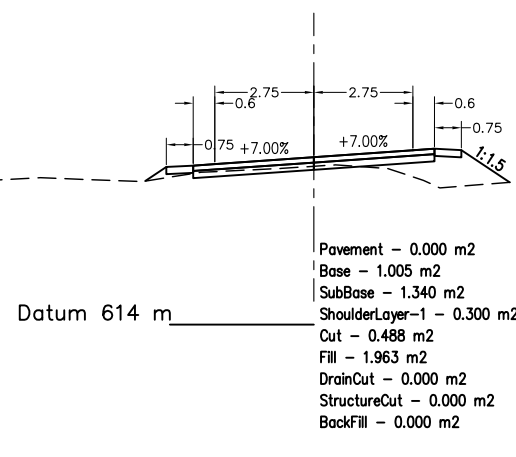
Ch: 3+200
GL: 617.087
DL: 618.127



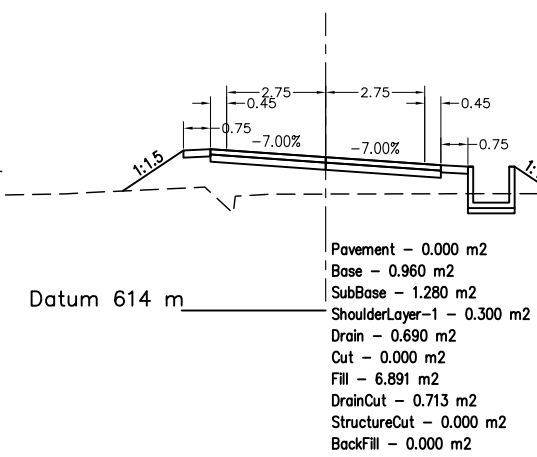
Ch: 3+060
GL: 618.714
DL: 619.029



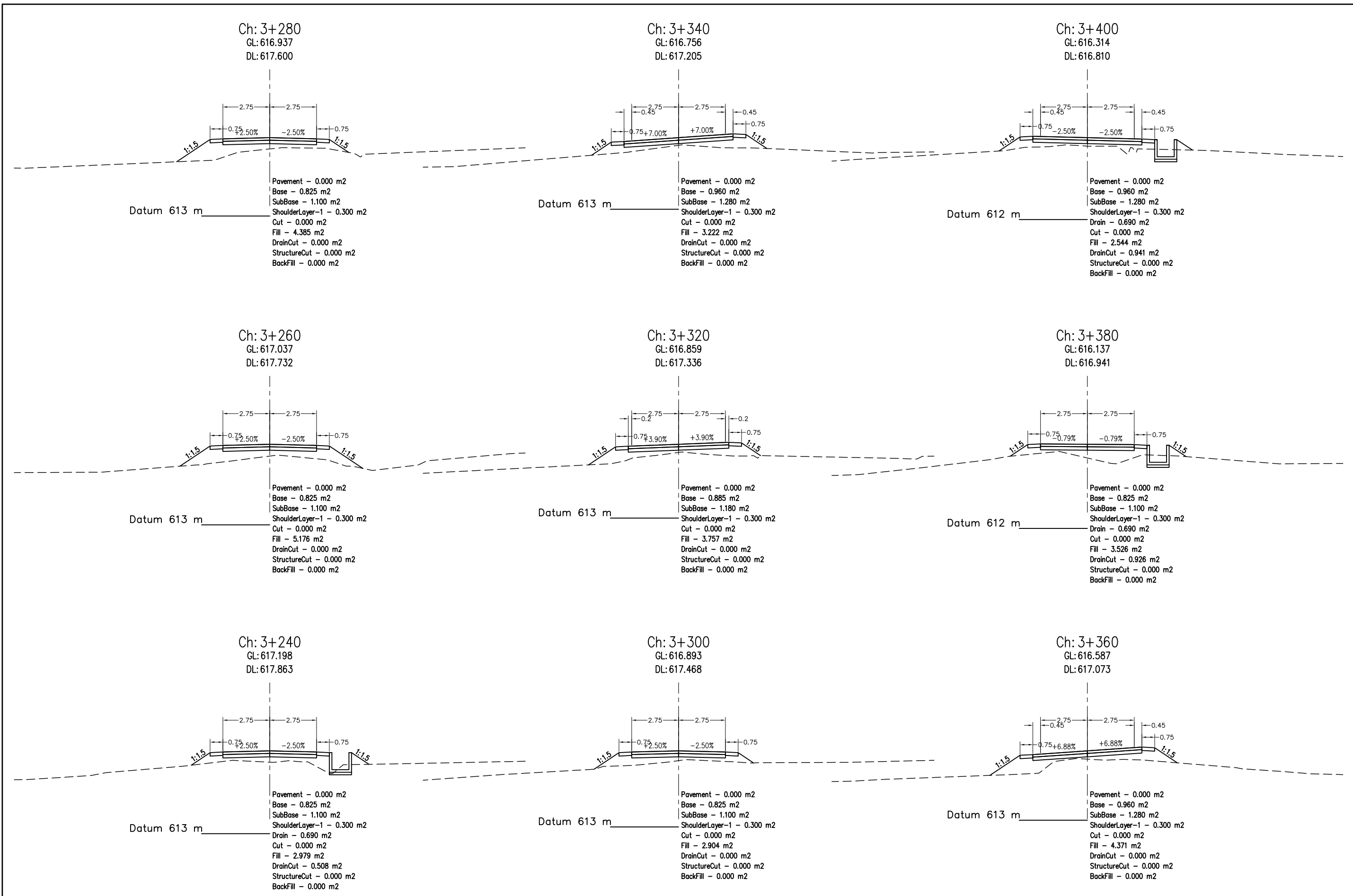
Ch: 3+120
GL: 618.397
DL: 618.651



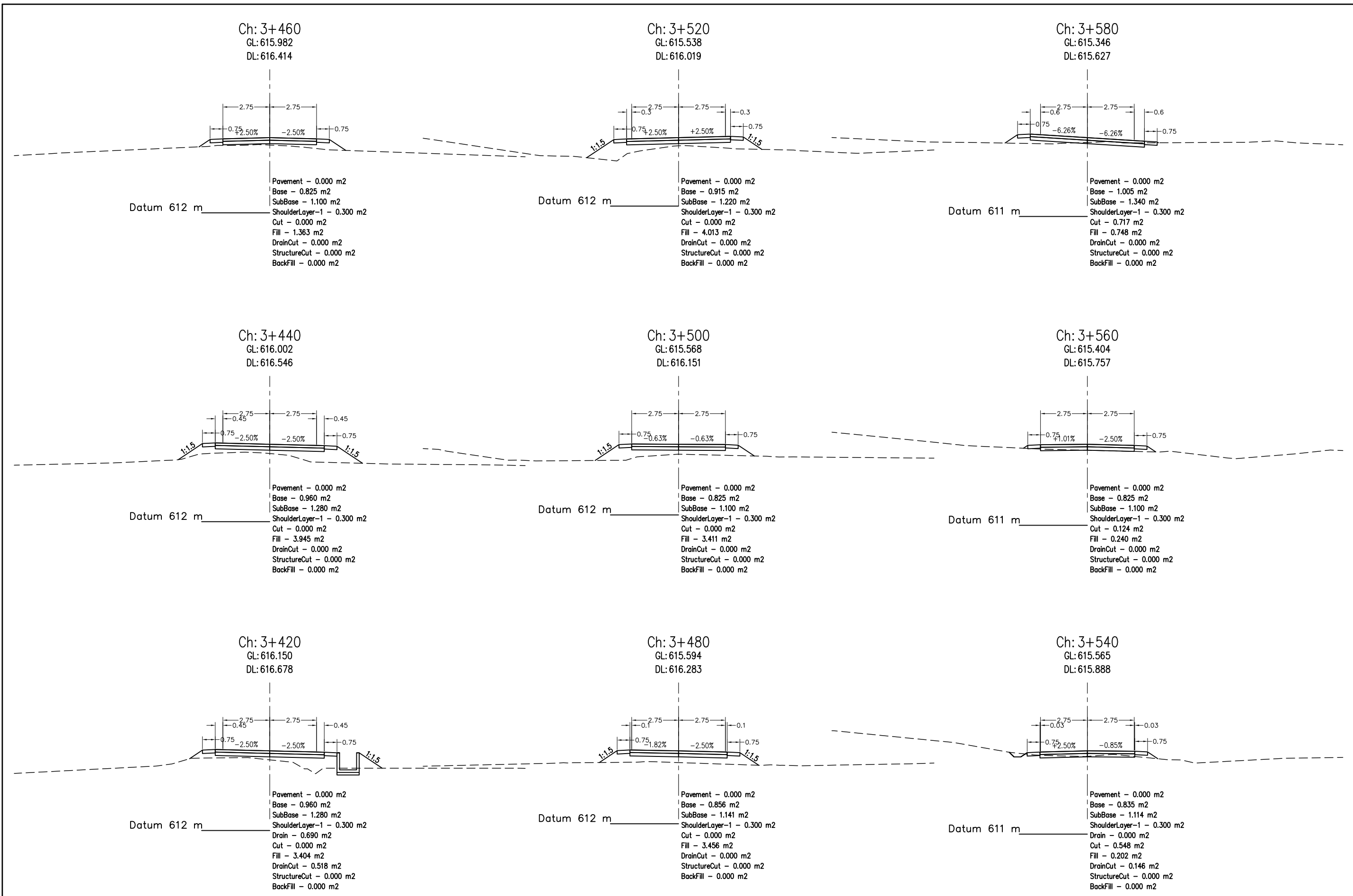
Ch: 3+180
GL: 617.234
DL: 618.259



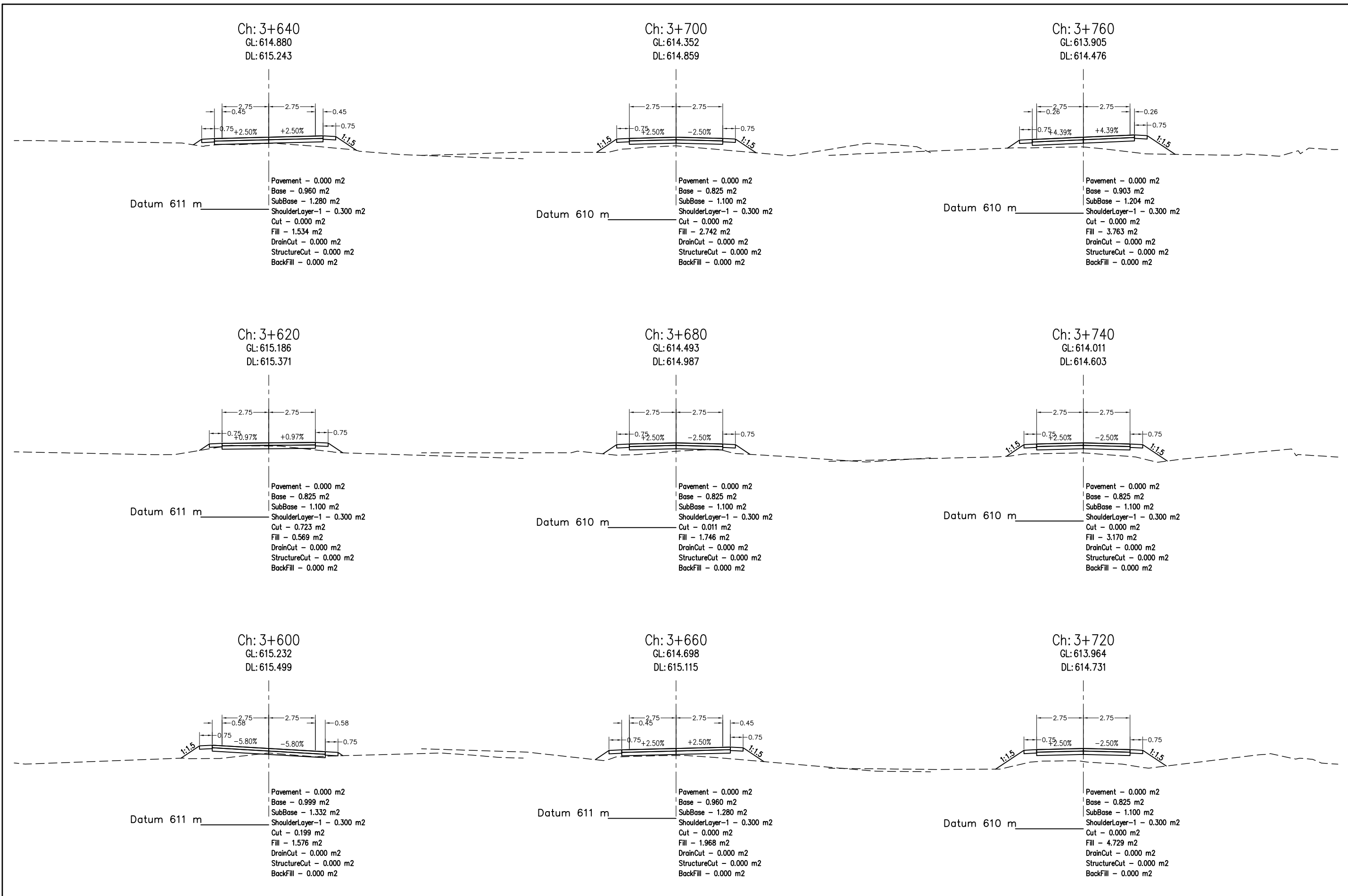
Government of Nepal Ministry of Federal Affairs and General Administration Department of Local Infrastructure (DoLI) Rural Connectivity Improvement Project-phase 2 (DoLI/RCIP/DPR-04/2019)	CONSULTANT:	ROAD NAME :	DATE	REVISION	SIGNATURE	DESIGNED BY :	SCALE 	Cross-Section 3+060-3+220	DATE: March 2022
	ITECO - INCLUSIVE JV Sitapaila Chowk, Ring Road	Bijauri-Basdabara-Jmuni-Laxmipur-Dakchin-Kurariya-Kanjawar-Kothari Road Dang District				DRAWN BY :			DRG NO : RCIP2/DNG/BBJ/CX
						CHECKED BY :			SHEET NO :
						APPROVED BY :			18



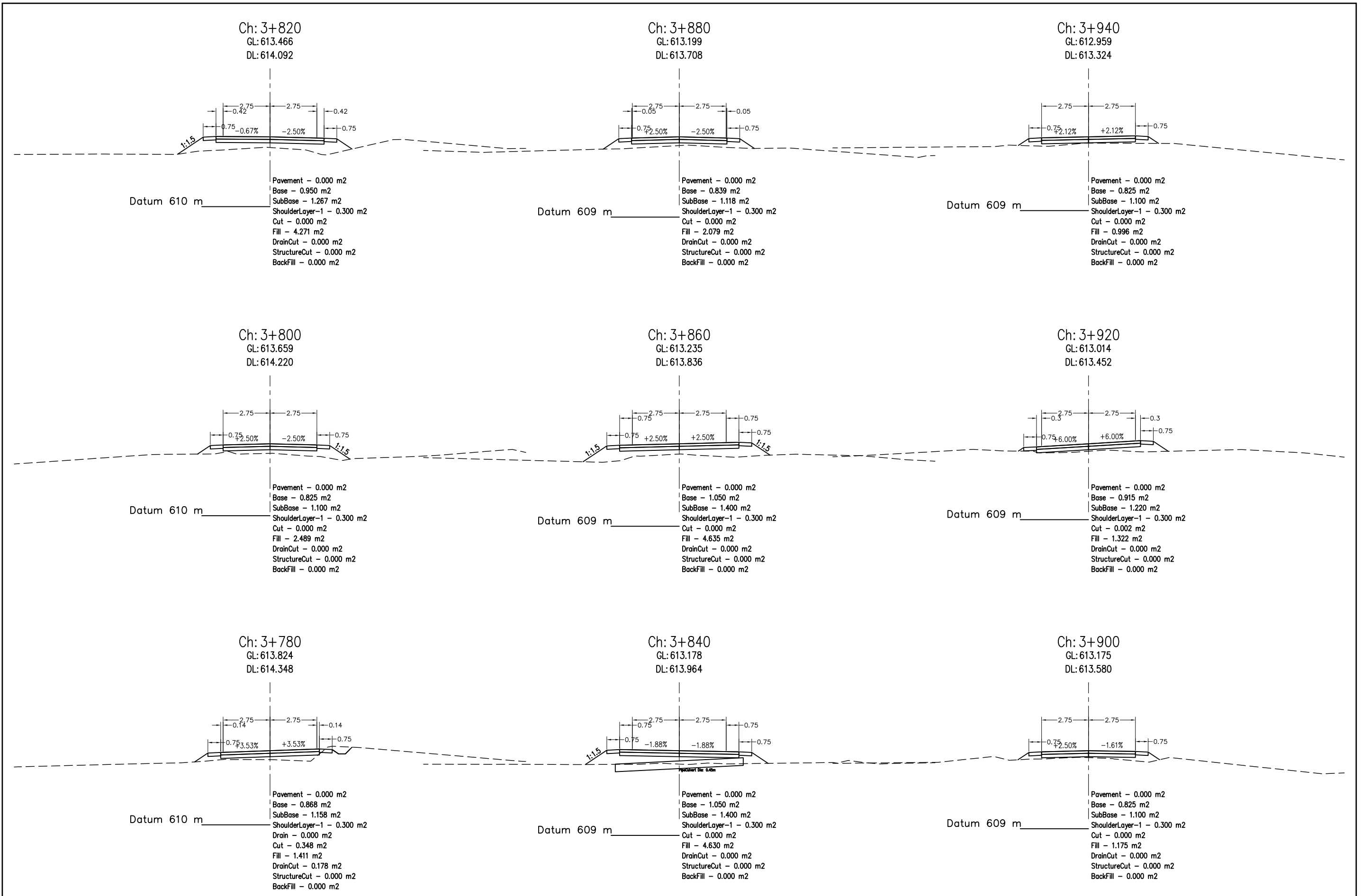
Government of Nepal Ministry of Federal Affairs and General Administration Department of Local Infrastructure (DoLI) Rural Connectivity Improvement Project-phase 2 (DoLI/RCIP/DPR-04/2019)	CONSULTANT: ITECO - INCLUSIVE JV Sitapaila Chowk, Ring Road	ROAD NAME : Bijauri-Basdabara-Jmuni-Laxmipur- Dakchin-Kurariya-Kanjawar-Kothari Road Dang District	DATE	REVISION	SIGNATURE	DESIGNED BY :	SCALE 	Cross-Section 3+240-3+400	DATE: March 2022
						DRAWN BY :			DRG NO : RCIIP2/DNG/BBJ/CX
						CHECKED BY :			SHEET NO :
						APPROVED BY :			19



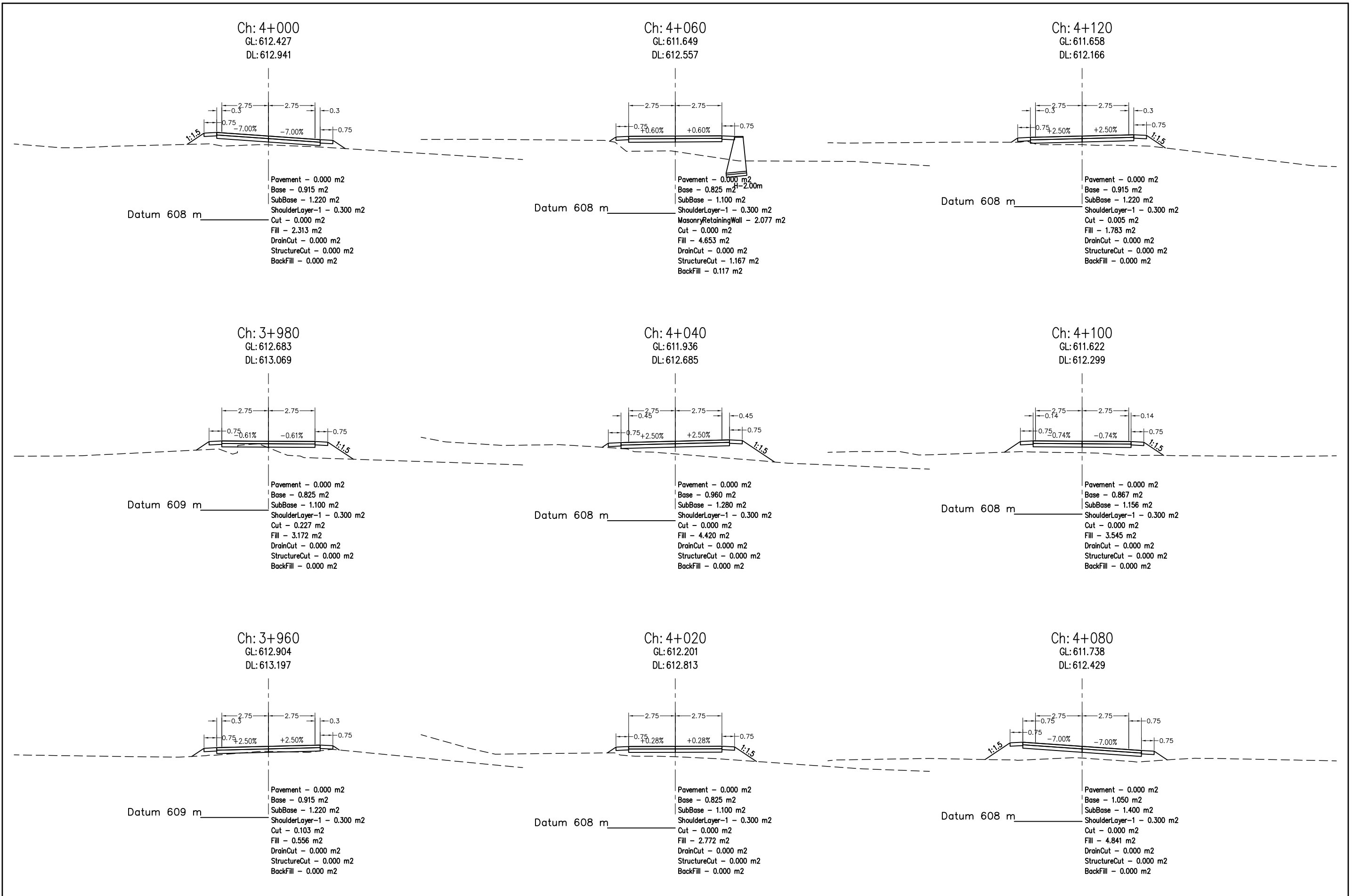
Government of Nepal Ministry of Federal Affairs and General Administration Department of Local Infrastructure (DoLI) Rural Connectivity Improvement Project-phase 2 (DoLI/RCIP/DPR-04/2019)	CONSULTANT: ITECO - INCLUSIVE JV Sitapaila Chowk, Ring Road	ROAD NAME : Bijauri-Basdabara-Jmuni-Laxmipur- Dakchin-Kurariya-Kanjawar-Kothari Road Dang District	DATE	REVISION	SIGNATURE	DESIGNED BY :	SCALE 	Cross-Section 3+420-3+580	DATE: March 2022
						DRAWN BY :			DRG NO : RCIIP2/DNG/BBJ/CX
						CHECKED BY :			SHEET NO :
						APPROVED BY :			20



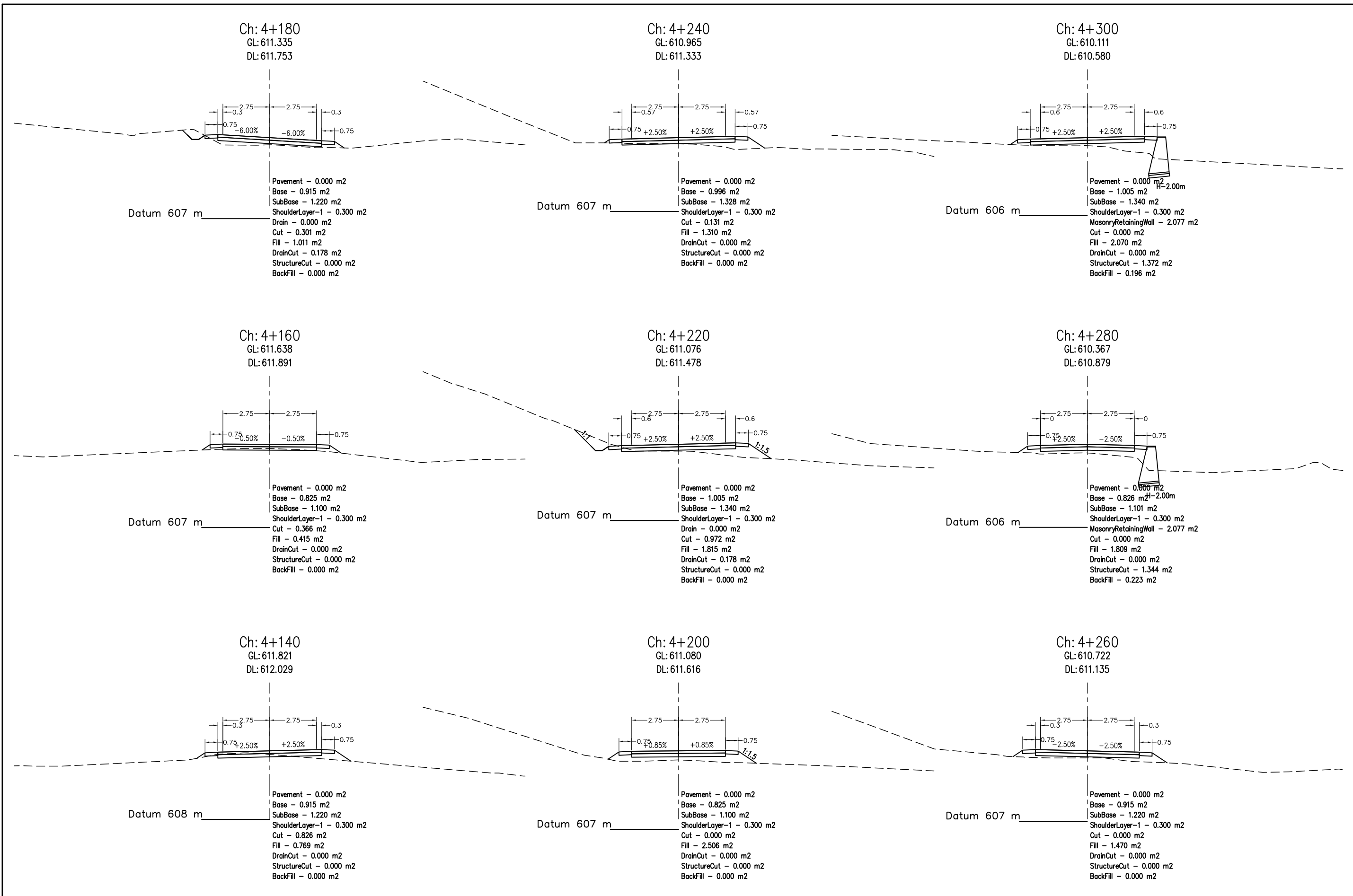
Government of Nepal Ministry of Federal Affairs and General Administration Department of Local Infrastructure (DoLI) Rural Connectivity Improvement Project-phase 2 (DoLI/RCIP/DPR-04/2019)	CONSULTANT: ITECO - INCLUSIVE JV Sitapaila Chowk, Ring Road	ROAD NAME : Bijauri-Basdabara-Jmuni-Laxmipur- Dakchin-Kurariya-Kanjawar-Kothari Road Dang District	DATE	REVISION	SIGNATURE	DESIGNED BY :	SCALE 	Cross-Section 3+600-3+760	DATE: March 2022
						DRAWN BY :			DRG NO : RCIIP2/DNG/BBJ/CX
						CHECKED BY :			SHEET NO : 21
						APPROVED BY :			



Government of Nepal Ministry of Federal Affairs and General Administration Department of Local Infrastructure (DoLI) Rural Connectivity Improvement Project-phase 2 (DoLI/RCIP/DPR-04/2019)	CONSULTANT: ITECO - INCLUSIVE JV Sitapaila Chowk, Ring Road	ROAD NAME : Bijauri-Basdabara-Jmuni-Laxmipur- Dakchin-Kurariya-Kanjawar-Kothari Road Dang District	DATE	REVISION	SIGNATURE	DESIGNED BY :	SCALE 	Cross-Section 3+780-3+940	DATE: March 2022
			CHECKED BY :	DRG NO : RCIIP2/DNG/BBJ/CX					
			APPROVED BY :	SHEET NO :					
			22						



Government of Nepal Ministry of Federal Affairs and General Administration Department of Local Infrastructure (DoLI) Rural Connectivity Improvement Project-phase 2 (DoLI/RCIP/DPR-04/2019)	CONSULTANT: ITECO - INCLUSIVE JV Sitapaila Chowk, Ring Road	ROAD NAME : Bijauri-Basdabara-Jmuni-Laxmipur- Dakchin-Kurariya-Kanjawar-Kothari Road Dang District	DATE	REVISION	SIGNATURE	DESIGNED BY :	SCALE 	Cross-Section 3+960-4+120	DATE: March 2022
						DRAWN BY :			DRG NO :RCIP2/DNG/BBJ/CX
						CHECKED BY :			SHEET NO :
						APPROVED BY :			23



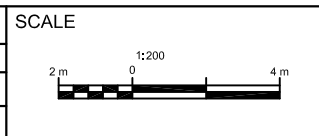
Government of Nepal
 Ministry of Federal Affairs and General Administration
 Department of Local Infrastructure (DoLI)
Rural Connectivity Improvement Project-phase 2
 (DoLI/RCIP/DPR-04/2019)

CONSULTANT:
ITECO - INCLUSIVE JV
 Sitapaila Chowk, Ring Road

ROAD NAME :
 Bijauri-Basdabara-Jmuni-Laxmipur-
 Dakchin-Kurariya-Kanjawar-Kothari
 Road
 Dang District

DATE
 REVISION
 SIGNATURE

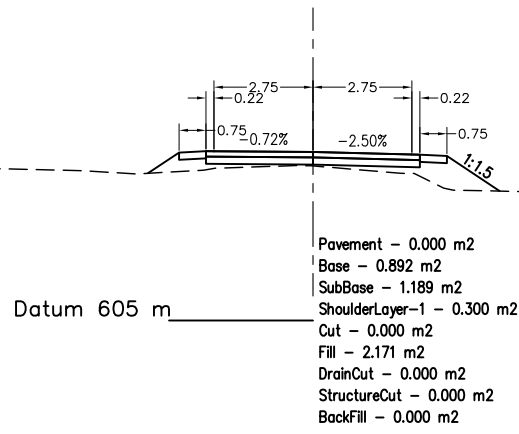
DESIGNED BY :
 DRAWN BY :
 CHECKED BY :
 APPROVED BY :



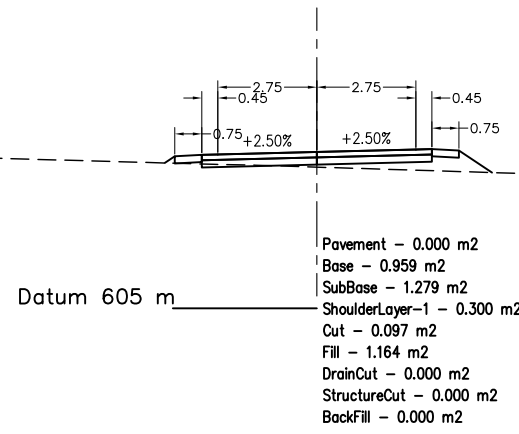
Cross-Section
4+140-4+300

DATE: March 2022
 DRG NO : RCIP2/DNG/BBJ/CX
 SHEET NO : **24**

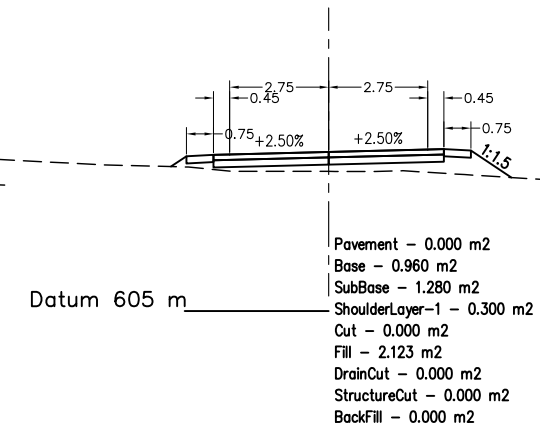
Ch: 4+360
GL: 609.293
DL: 609.679



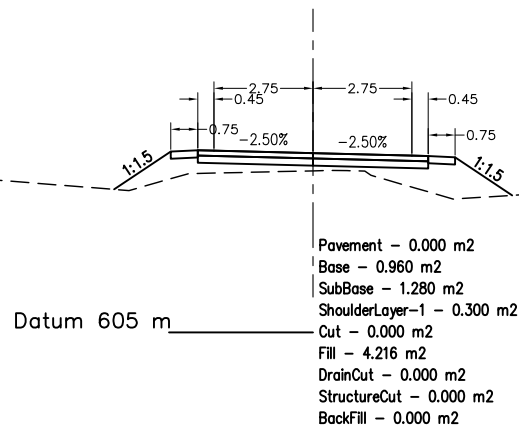
Ch: 4+420
GL: 608.921
DL: 609.344



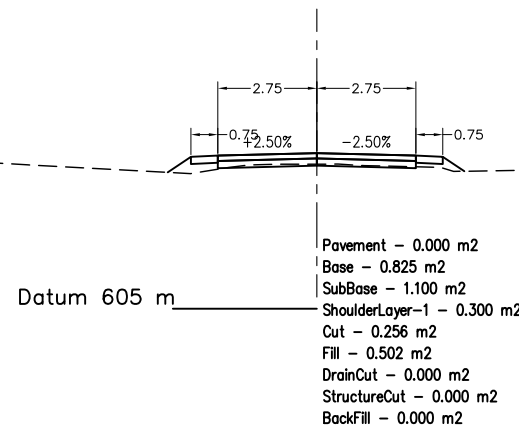
Ch: 4+480
GL: 608.880
DL: 609.419



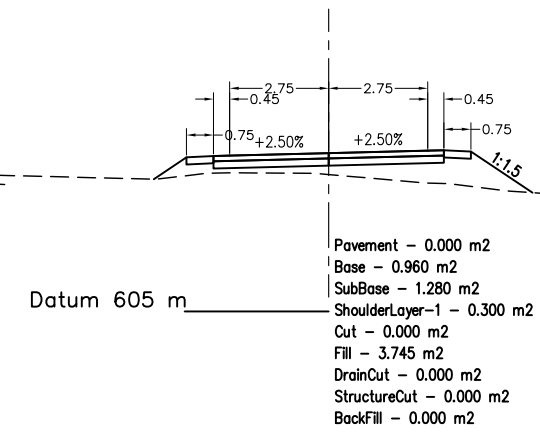
Ch: 4+340
GL: 609.486
DL: 609.979



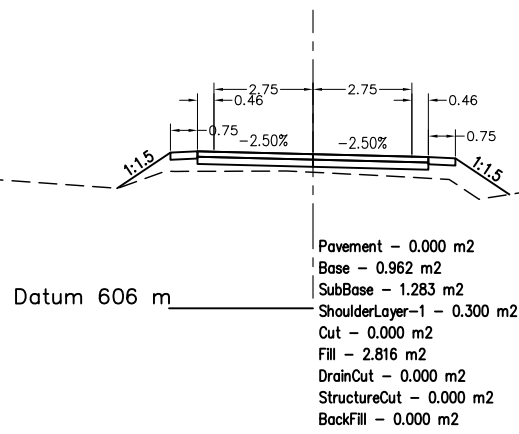
Ch: 4+400
GL: 609.015
DL: 609.322



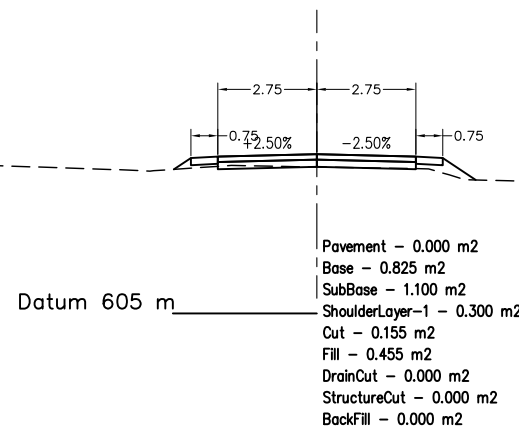
Ch: 4+460
GL: 608.803
DL: 609.399



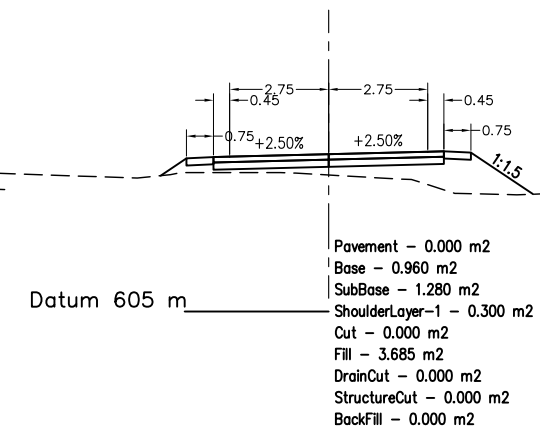
Ch: 4+320
GL: 609.777
DL: 610.280



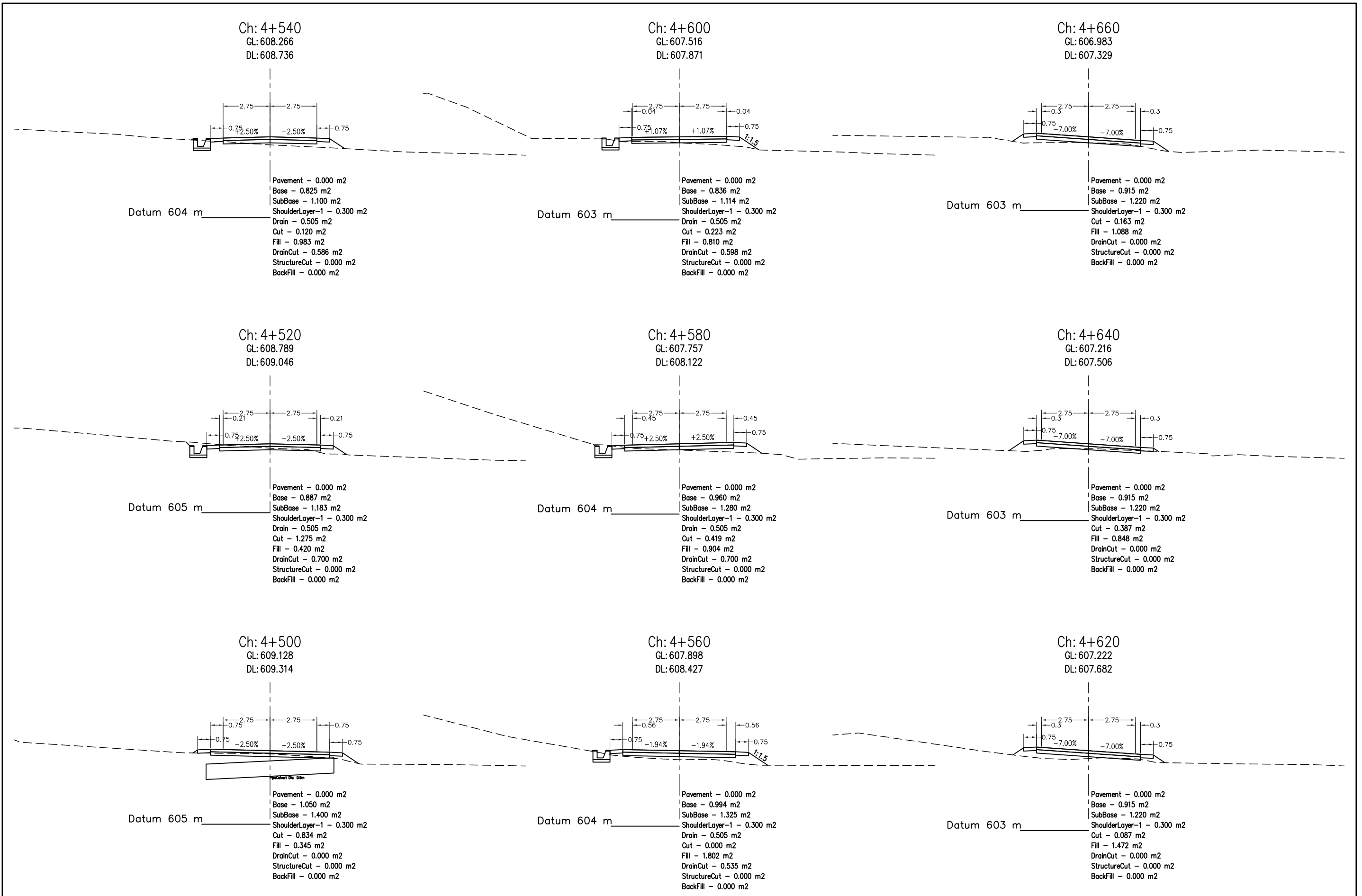
Ch: 4+380
GL: 609.062
DL: 609.422



Ch: 4+440
GL: 608.793
DL: 609.371



Government of Nepal Ministry of Federal Affairs and General Administration Department of Local Infrastructure (DoLI) Rural Connectivity Improvement Project-phase 2 (DoLI/RCIP/DPR-04/2019)	CONSULTANT: ITECO - INCLUSIVE JV Sitapaila Chowk, Ring Road	ROAD NAME : Bijauri-Basdabara-Jmuni-Laxmipur- Dakchin-Kurariya-Kanjawar-Kothari Road Dang District	DATE	REVISION	SIGNATURE	DESIGNED BY :	SCALE 	Cross-Section 4+320-4+480	DATE: March 2022
			CHECKED BY :	DRG NO :RCIP2/DNG/BBJ/CX					
			APPROVED BY :	SHEET NO :					
			25						



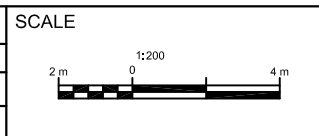
Government of Nepal
Ministry of Federal Affairs and General Administration
Department of Local Infrastructure (DoLI)
Rural Connectivity Improvement Project-phase 2
(DoLI/RCIP/DPR-04/2019)

CONSULTANT:
ITECO - INCLUSIVE JV
Sitapaila Chowk, Ring Road

ROAD NAME :
Bijauri-Basdabara-Jmuni-Laxmipur-
Dakchin-Kurariya-Kanjawar-Kothari
Road
Dang District

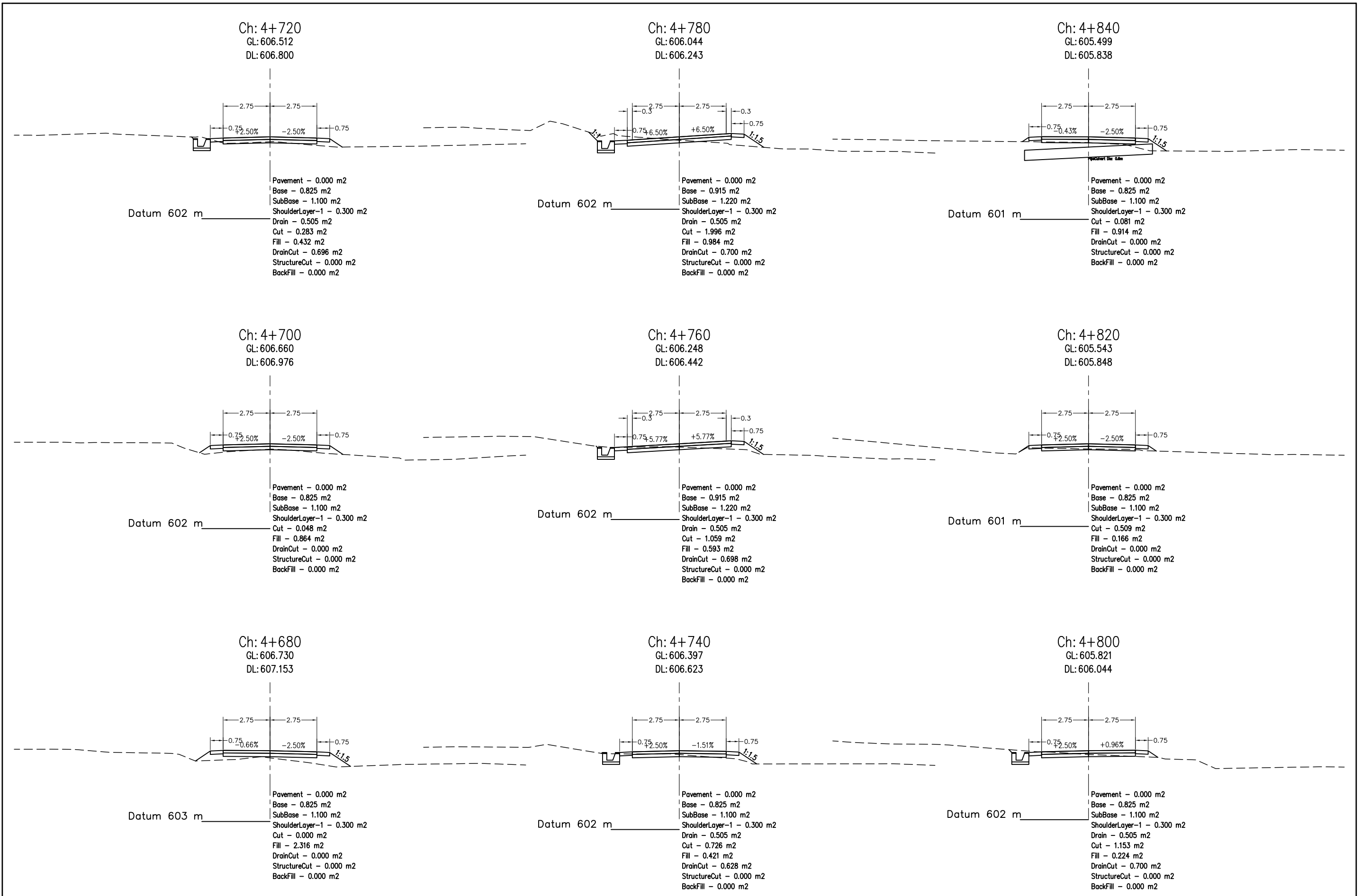
DATE
REVISION
SIGNATURE

DESIGNED BY :
DRAWN BY :
CHECKED BY :
APPROVED BY :



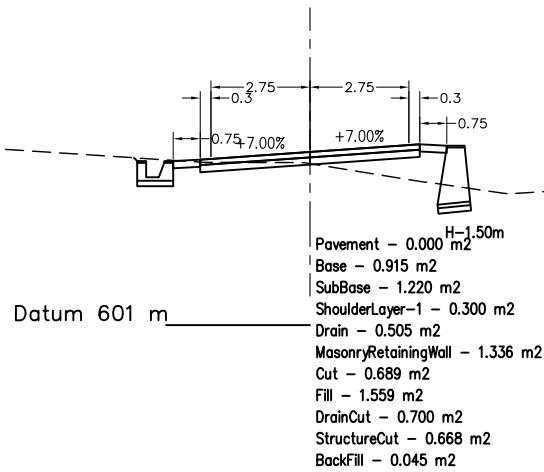
Cross-Section
4+500-4+660

DATE: March 2022
DRG NO : RCIP2/DNG/BBJ/CX
SHEET NO : 26

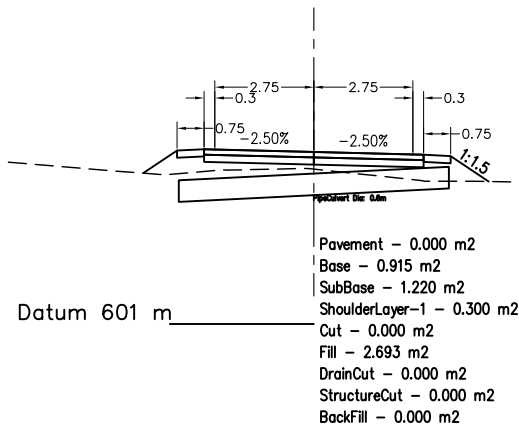


Government of Nepal Ministry of Federal Affairs and General Administration Department of Local Infrastructure (DoLI) Rural Connectivity Improvement Project-phase 2 (DoLI/RCIP/DPR-04/2019)	CONSULTANT: ITECO - INCLUSIVE JV Sitapaila Chowk, Ring Road	ROAD NAME : Bijauri-Basdabara-Jmuni-Laxmipur- Dakchin-Kurariya-Kanjawar-Kothari Road Dang District	DATE	REVISION	SIGNATURE	DESIGNED BY :	SCALE 	Cross-Section 4+680-4+840	DATE: March 2022
			CHECKED BY :	DRG NO : RCIP2/DNG/BBJ/CX					
			APPROVED BY :	SHEET NO :					
			27						

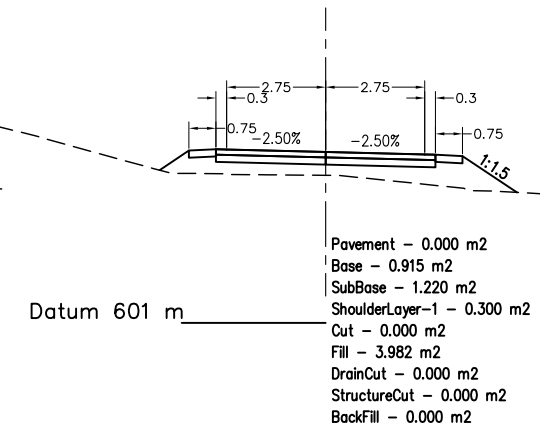
Ch: 4+900
GL: 605.485
DL: 605.808



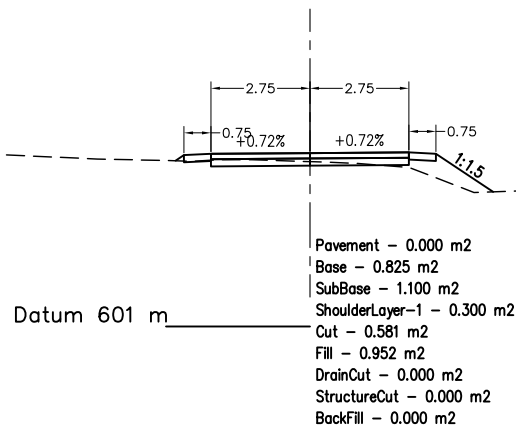
Ch: 4+960
GL: 605.303
DL: 605.777



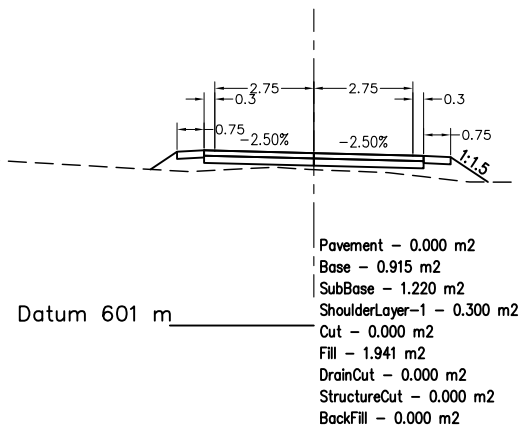
Ch: 5+020
GL: 605.098
DL: 605.747



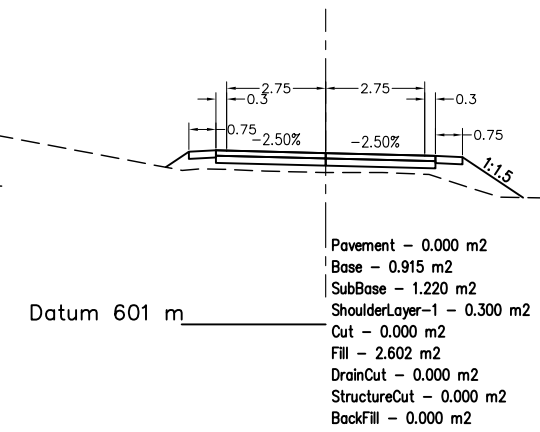
Ch: 4+880
GL: 605.581
DL: 605.818



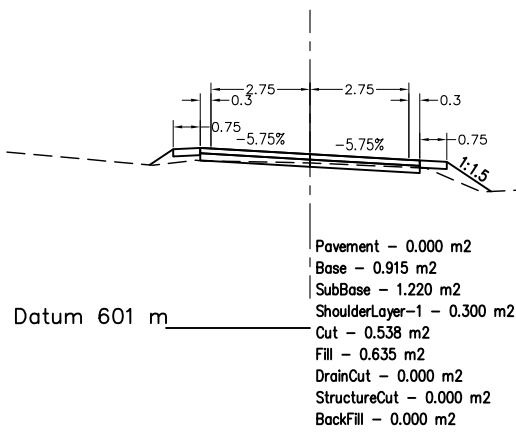
Ch: 4+940
GL: 605.326
DL: 605.787



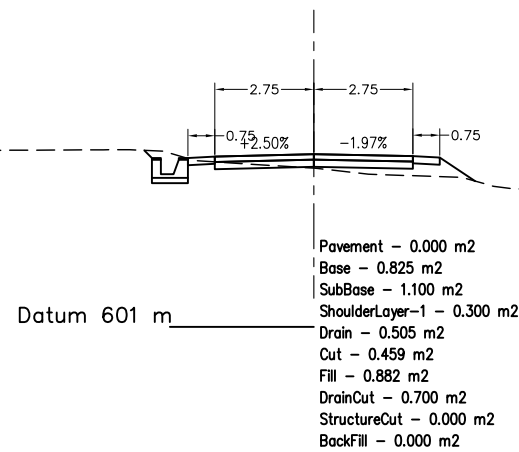
Ch: 5+000
GL: 605.218
DL: 605.757



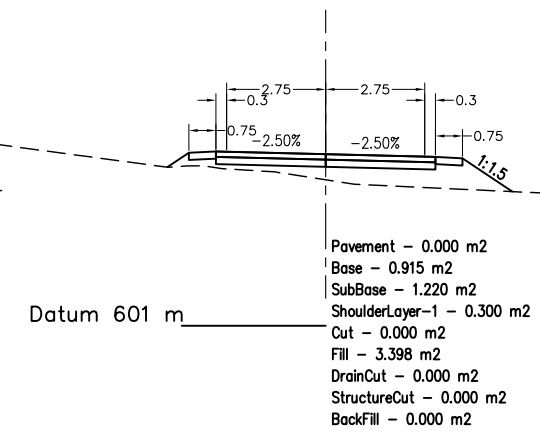
Ch: 4+860
GL: 605.585
DL: 605.828



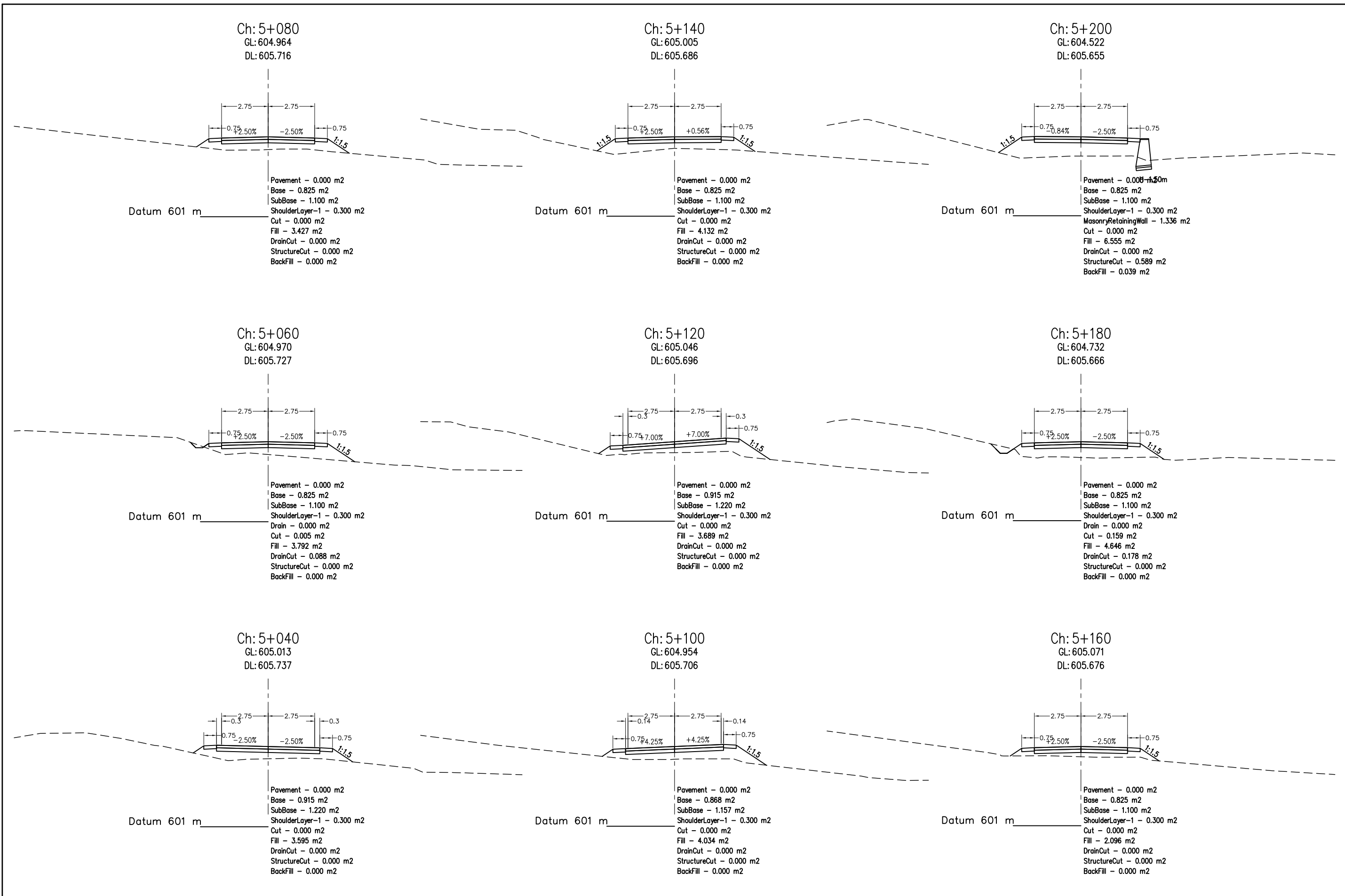
Ch: 4+920
GL: 605.410
DL: 605.798



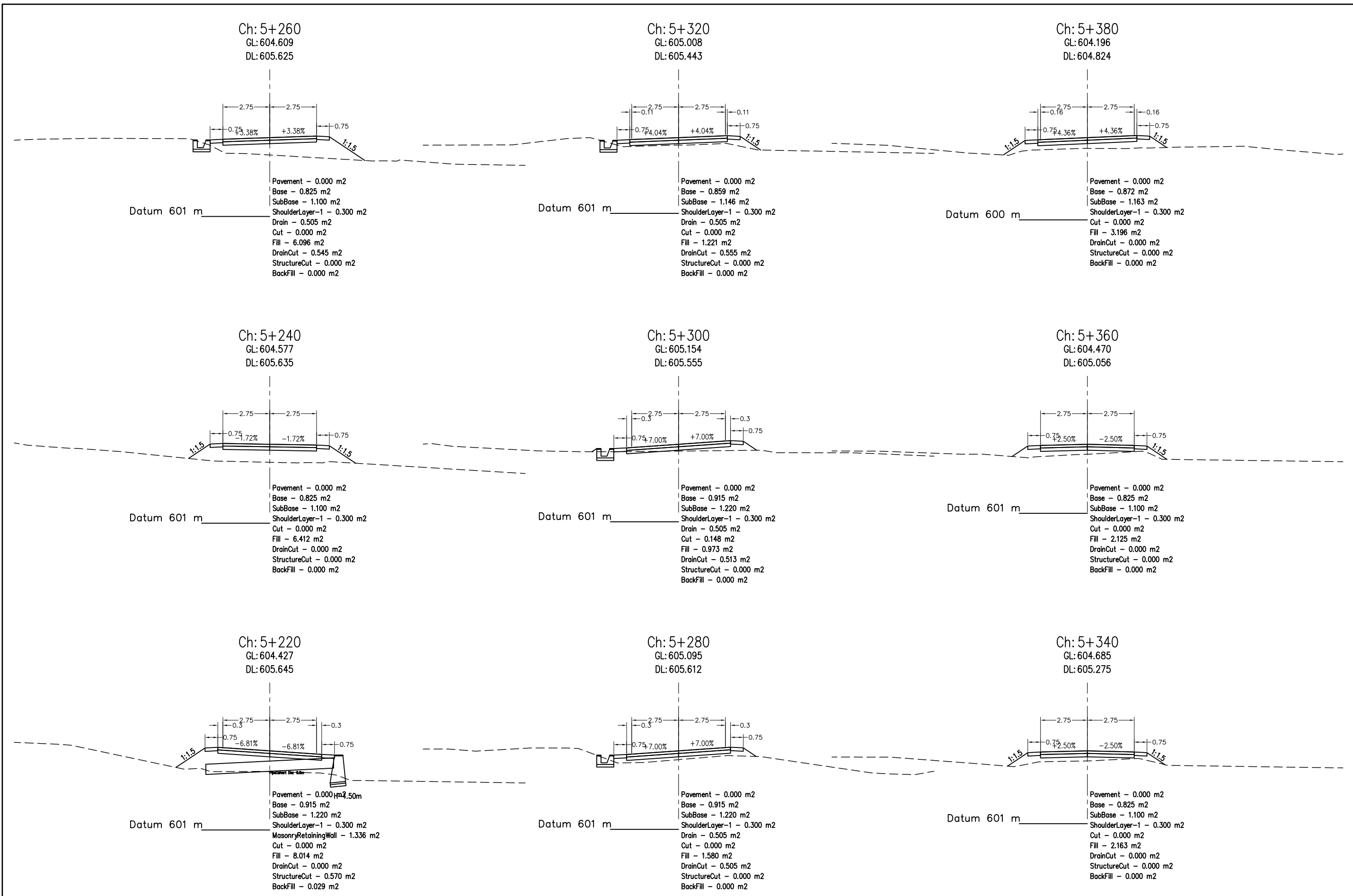
Ch: 4+980
GL: 605.057
DL: 605.767



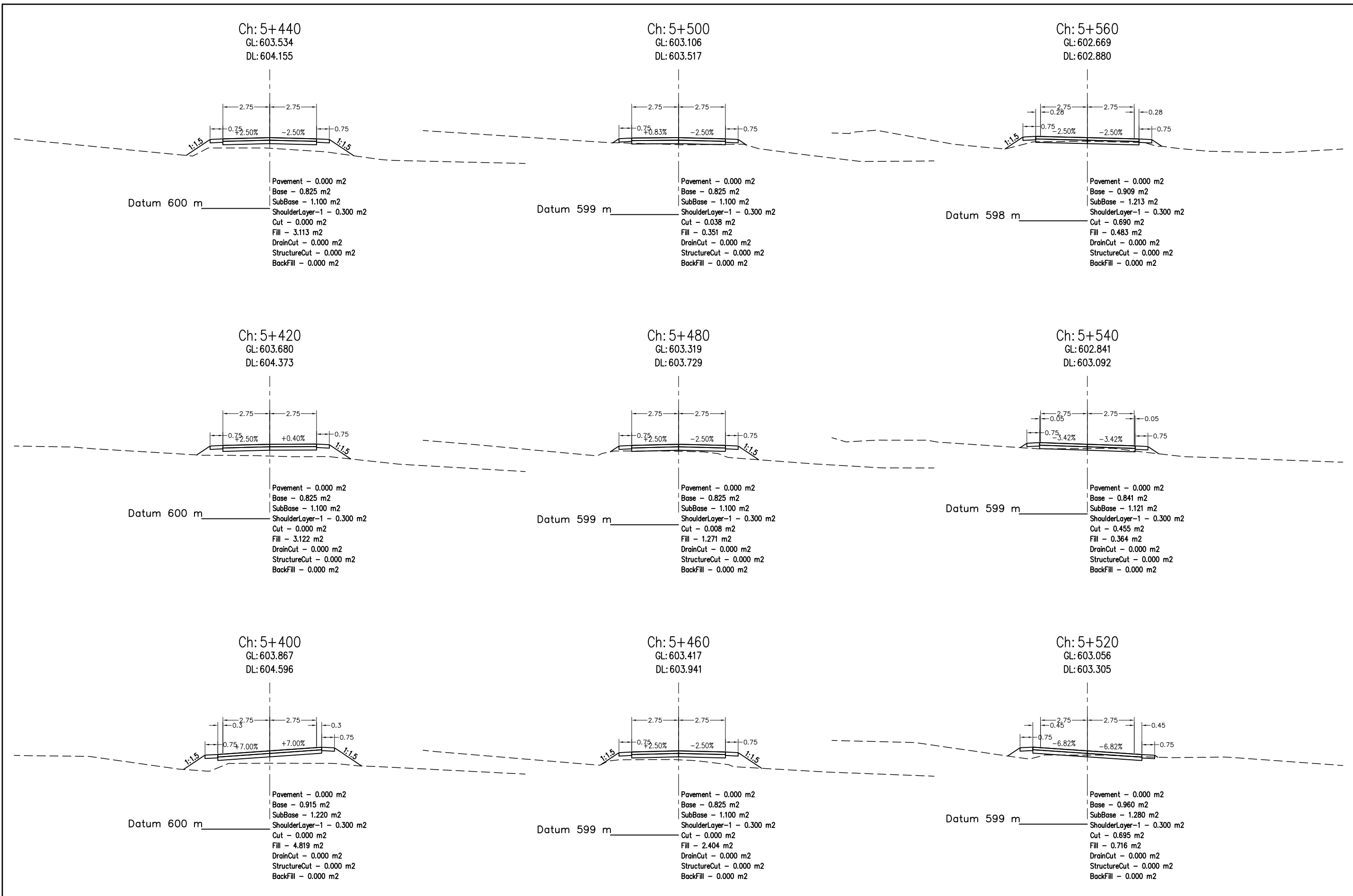
Government of Nepal Ministry of Federal Affairs and General Administration Department of Local Infrastructure (DoLI) Rural Connectivity Improvement Project-phase 2 (DoLI/RCIP/DPR-04/2019)	CONSULTANT:	ROAD NAME :	DATE	REVISION	SIGNATURE	DESIGNED BY :	SCALE 	Cross-Section 4+860-5+020	DATE: March 2022
	ITECO - INCLUSIVE JV	Bijauri-Basdabara-Jmuni-Laxmipur-Dakchin-Kurariya-Kanjawar-Kothari Road				DRAWN BY :			DRG NO : RCIIP2/DNG/BBJ/CX
	Sitapaila Chowk, Ring Road	Dang District				CHECKED BY :			SHEET NO :
						APPROVED BY :			28



Government of Nepal Ministry of Federal Affairs and General Administration Department of Local Infrastructure (DoLI) Rural Connectivity Improvement Project-phase 2 (DoLI/RCIP/DPR-04/2019)	CONSULTANT: ITECO - INCLUSIVE JV Sitapaila Chowk, Ring Road	ROAD NAME : Bijauri-Basdabara-Jmuni-Laxmipur- Dakchin-Kurariya-Kanjawar-Kothari Road Dang District	DATE	REVISION	SIGNATURE	DESIGNED BY :	SCALE 	Cross-Section 5+040-5+200	DATE: March 2022
						DRAWN BY :			DRG NO : RCIIP2/DNG/BBJ/CX
						CHECKED BY :			SHEET NO :
						APPROVED BY :			29



Government of Nepal Ministry of Federal Affairs and General Administration Department of Local Infrastructure (DoLI) Rural Connectivity Improvement Project-phase 2 (DoLI/RCIP/DPR-04/2019)	CONSULTANT:	ROAD NAME :	DATE	REVISION	SIGNATURE	DESIGNED BY :	SCALE 	Cross-Section 5+220-5+380	DATE: March 2022
	ITECO - INCLUSIVE JV Sitapaila Chowk, Ring Road	Bijauri-Basdabara-Jmuni-Laxmipur-Dakchin-Kurariya-Kanjawar-Kothari Road Dang District				DRAWN BY :			DRG NO : RCIP2/DNG/BBJ/CX
						CHECKED BY :			SHEET NO :
						APPROVED BY :			30



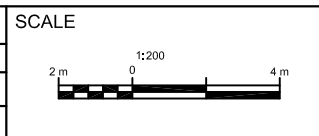
Government of Nepal
 Ministry of Federal Affairs and General Administration
 Department of Local Infrastructure (DoLI)
Rural Connectivity Improvement Project-phase 2
 (DoLI/RCIP/DPR-04/2019)

CONSULTANT:
ITECO - INCLUSIVE JV
 Sitapaila Chowk, Ring Road

ROAD NAME :
 Bijauri-Basdabara-Jmuni-Laxmipur-
 Dakchin-Kurariya-Kanjawar-Kothari
 Road
 Dang District

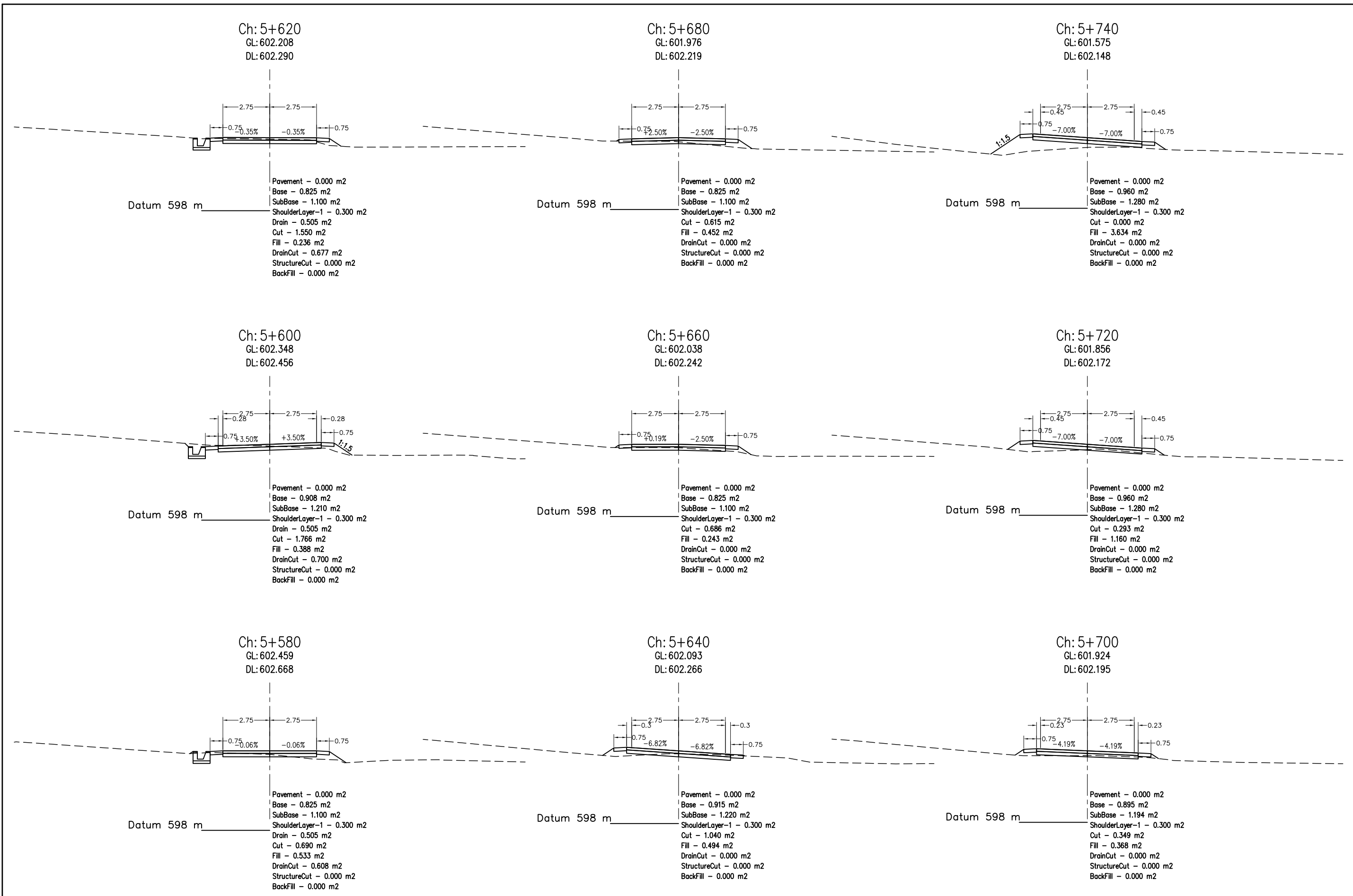
DATE
 REVISION
 SIGNATURE

DESIGNED BY :
 DRAWN BY :
 CHECKED BY :
 APPROVED BY :

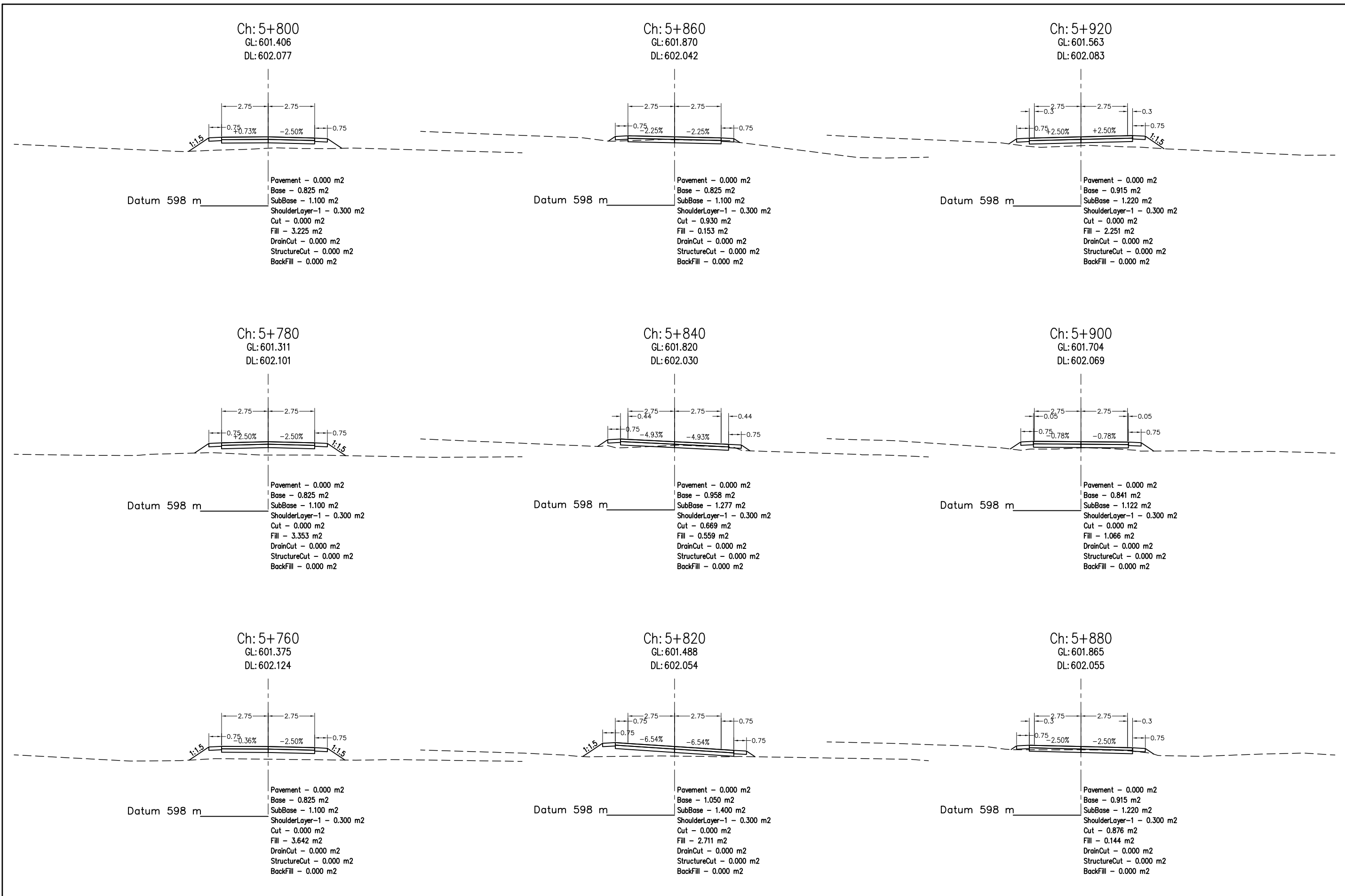


Cross-Section
5+400-5+560

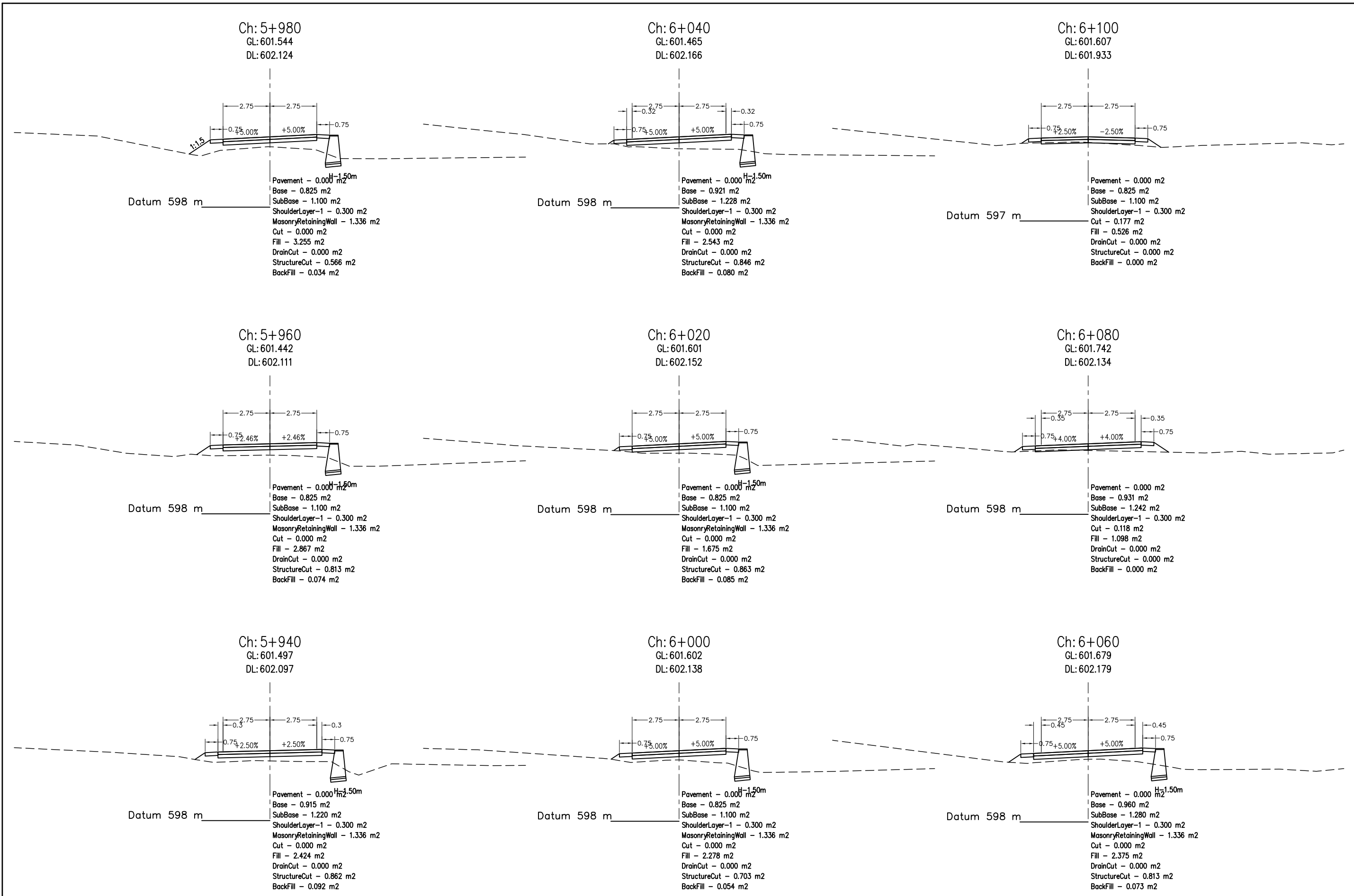
DATE: March 2022
 DRG NO :RCIP2/DNG/BBJ/CX
 SHEET NO : **31**



Government of Nepal Ministry of Federal Affairs and General Administration Department of Local Infrastructure (DoLI) Rural Connectivity Improvement Project-phase 2 (DoLI/RCIP/DPR-04/2019)	CONSULTANT:	ROAD NAME :	DATE	REVISION	SIGNATURE	DESIGNED BY :	SCALE 	Cross-Section 5+580-5+740	DATE: March 2022
	ITECO - INCLUSIVE JV Sitapaila Chowk, Ring Road	Bijauri-Basdabara-Jmuni-Laxmipur-Dakchin-Kurariya-Kanjawar-Kothari Road Dang District				DRAWN BY :			DRG NO : RCIP2/DNG/BBJ/CX
						CHECKED BY :			SHEET NO :
						APPROVED BY :			32



Government of Nepal Ministry of Federal Affairs and General Administration Department of Local Infrastructure (DoLI) Rural Connectivity Improvement Project-phase 2 (DoLI/RCIP/DPR-04/2019)	CONSULTANT: ITECO - INCLUSIVE JV Sitapaila Chowk, Ring Road	ROAD NAME : Bijauri-Basdabara-Jmuni-Laxmipur- Dakchin-Kurariya-Kanjawar-Kothari Road Dang District	DATE	REVISION	SIGNATURE	DESIGNED BY :	SCALE 	Cross-Section 5+760-5+920	DATE: March 2022
						DRAWN BY :			DRG NO : RCI/2/DNG/BBJ/CX
						CHECKED BY :			SHEET NO :
						APPROVED BY :			33



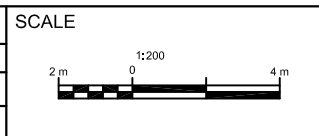
Government of Nepal
Ministry of Federal Affairs and General Administration
Department of Local Infrastructure (DoLI)
Rural Connectivity Improvement Project-phase 2
(DoLI/RCIP/DPR-04/2019)

CONSULTANT:
ITECO - INCLUSIVE JV
Sitapaila Chowk, Ring Road

ROAD NAME :
Bijauri-Basdabara-Jmuni-Laxmipur-
Dakchin-Kurariya-Kanjawar-Kothari
Road
Dang District

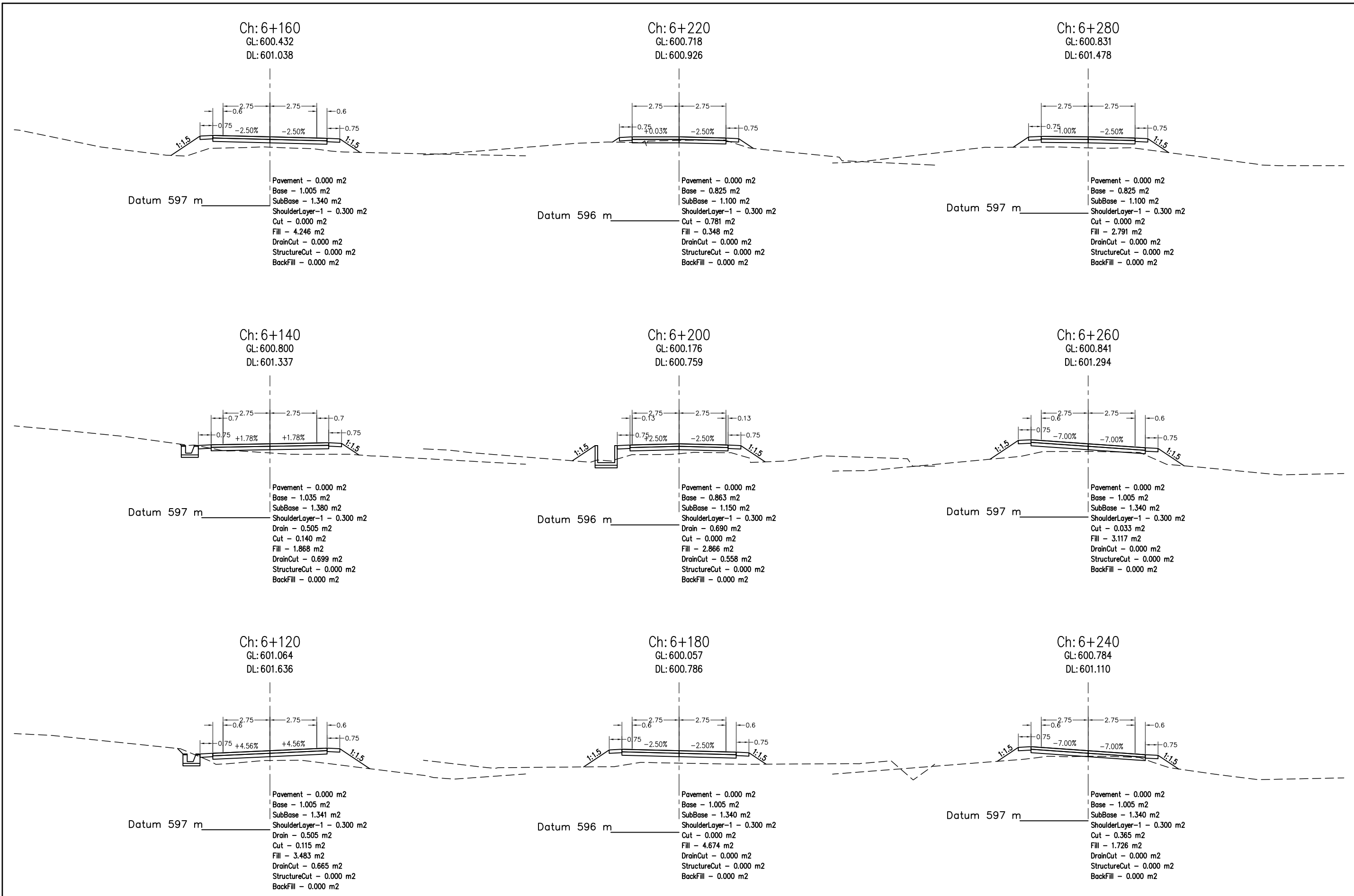
DATE
REVISION
SIGNATURE

DESIGNED BY :
DRAWN BY :
CHECKED BY :
APPROVED BY :

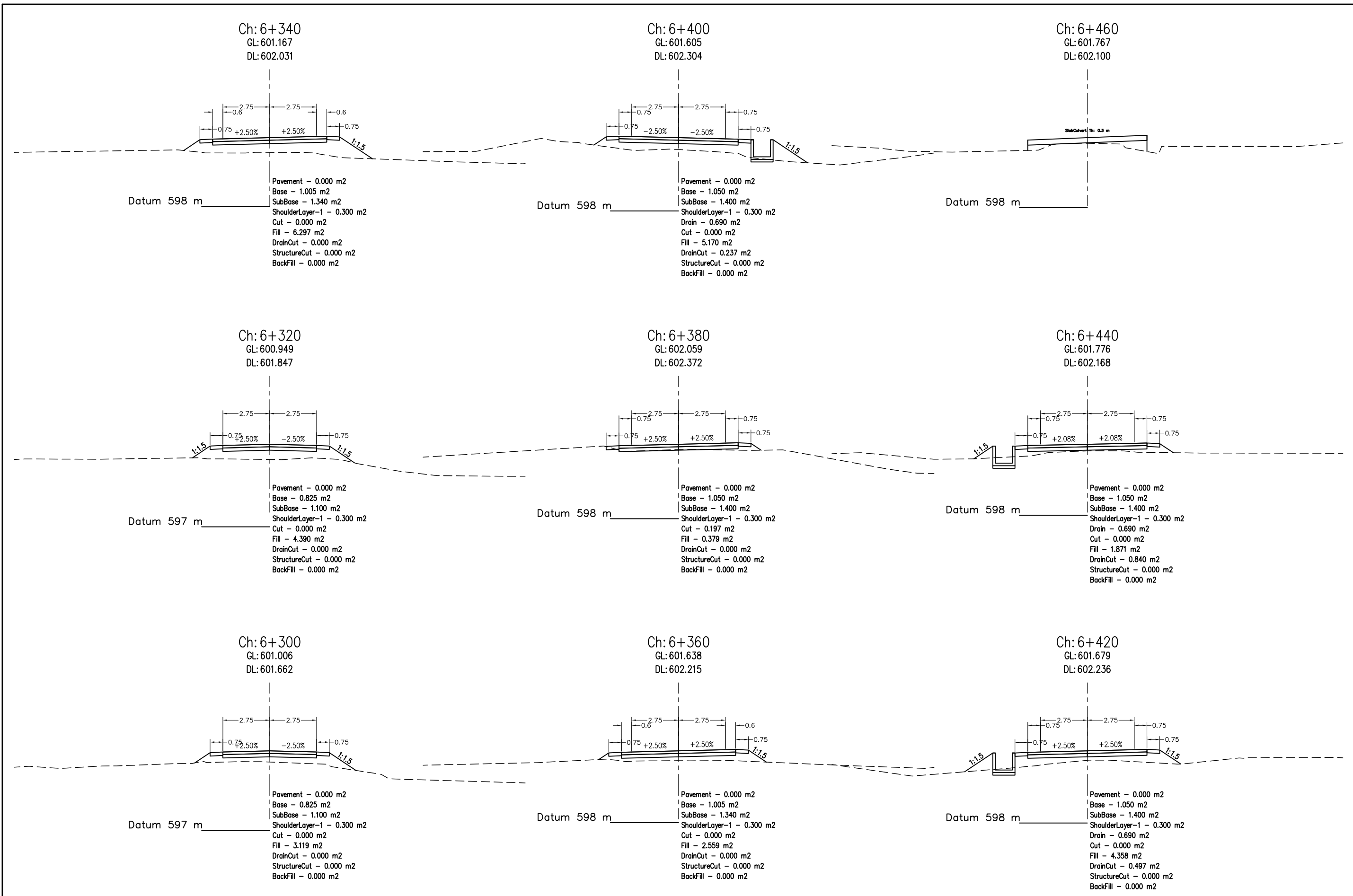


Cross-Section
5+940-6+100

DATE: March 2022
DRG NO : RCIP2/DNG/BBJ/CX
SHEET NO : **34**



Government of Nepal Ministry of Federal Affairs and General Administration Department of Local Infrastructure (DoLI) Rural Connectivity Improvement Project-phase 2 (DoLI/RCIP/DPR-04/2019)	CONSULTANT:	ROAD NAME :	DATE	REVISION	SIGNATURE	DESIGNED BY :	SCALE 	Cross-Section 6+120-6+280	DATE: March 2022
	ITECO - INCLUSIVE JV	Bijauri-Basdabara-Jmuni-Laxmipur-Dakchin-Kurariya-Kanjawar-Kothari Road				DRAWN BY :			DRG NO : RCIP2/DNG/BBJ/CX
	Sitapaila Chowk, Ring Road	Dang District				CHECKED BY :			SHEET NO :
						APPROVED BY :			35



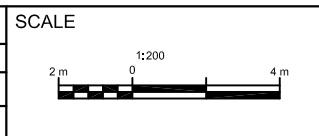
Government of Nepal
Ministry of Federal Affairs and General Administration
Department of Local Infrastructure (DoLI)
Rural Connectivity Improvement Project-phase 2
(DoLI/RCIP/DPR-04/2019)

CONSULTANT:
ITECO - INCLUSIVE JV
Sitapaila Chowk, Ring Road

ROAD NAME :
Bijauri-Basdabara-Jmuni-Laxmipur-
Dakchin-Kurariya-Kanjawar-Kothari
Road
Dang District

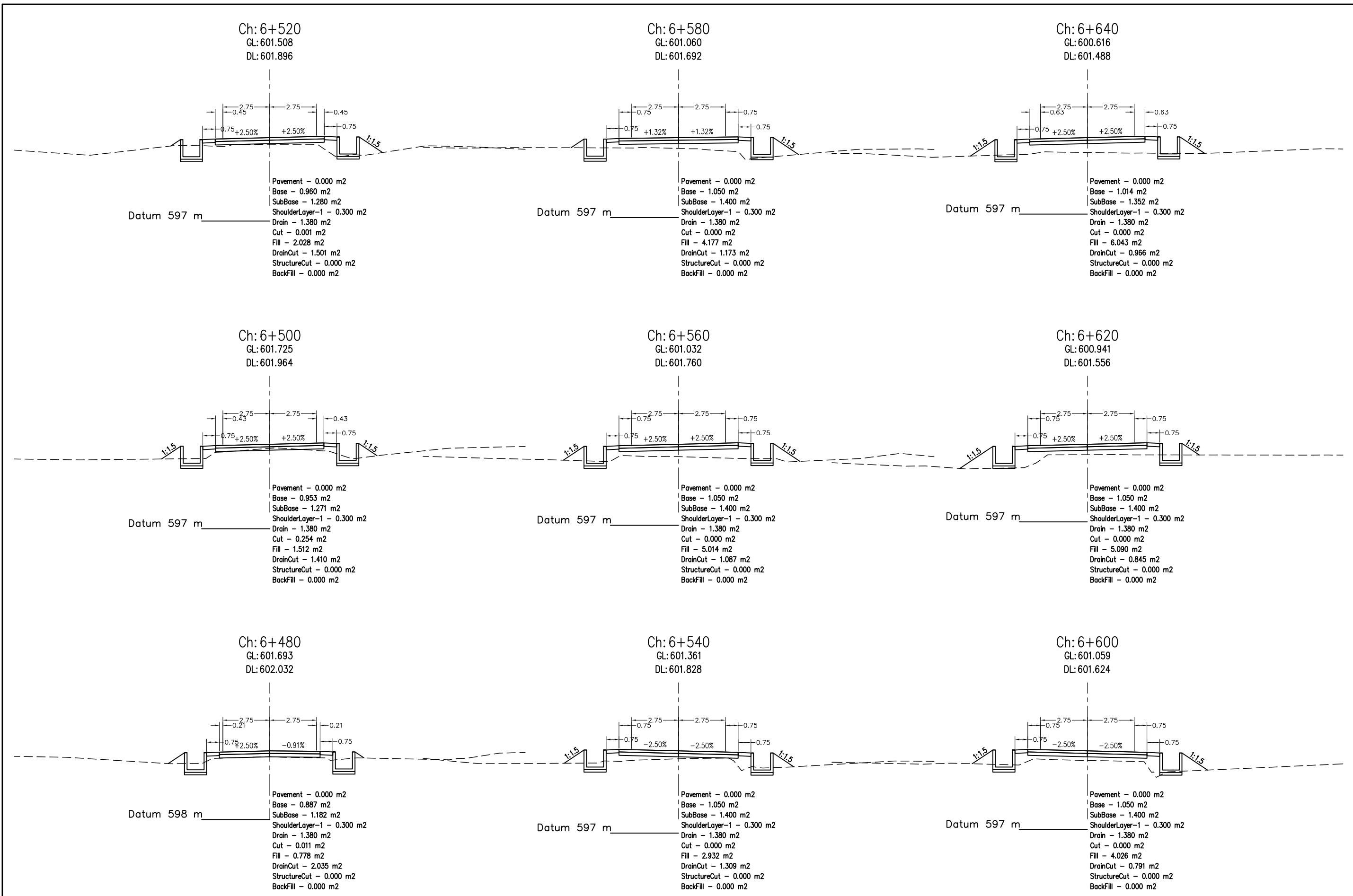
DATE
REVISION
SIGNATURE

DESIGNED BY :
DRAWN BY :
CHECKED BY :
APPROVED BY :



Cross-Section
6+300-6+460

DATE: March 2022
DRG NO : RCIP2/DNG/BBJ/CX
SHEET NO : **36**



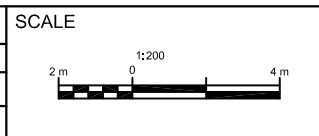
Government of Nepal
 Ministry of Federal Affairs and General Administration
 Department of Local Infrastructure (DoLI)
Rural Connectivity Improvement Project-phase 2
 (DoLI/RCIP/DPR-04/2019)

CONSULTANT:
ITECO - INCLUSIVE JV
 Sitapaila Chowk, Ring Road

ROAD NAME :
 Bijauri-Basdabara-Jmuni-Laxmipur-
 Dakchin-Kurariya-Kanjawar-Kothari
 Road
 Dang District

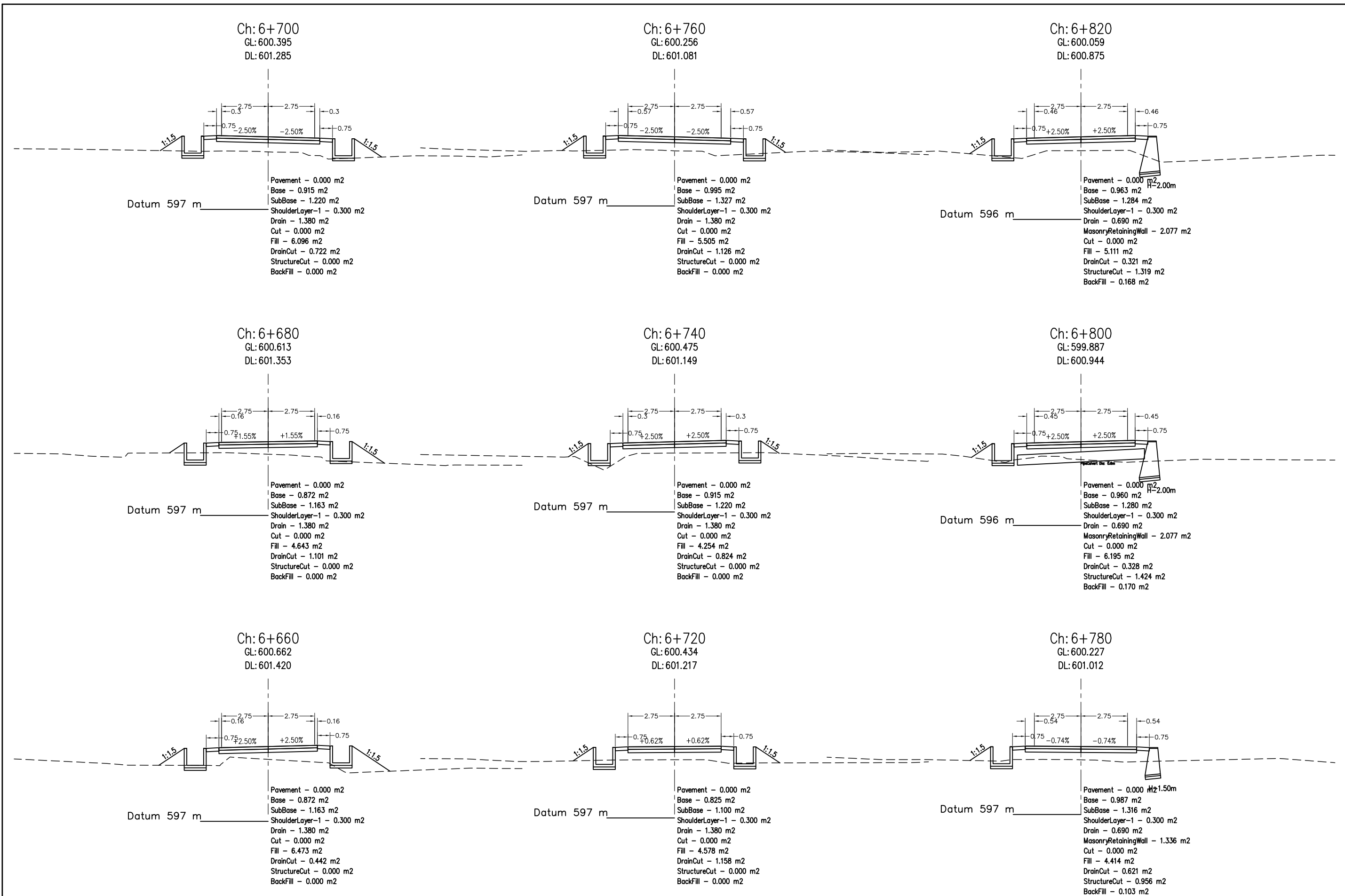
DATE
 REVISION
 SIGNATURE

DESIGNED BY :
 DRAWN BY :
 CHECKED BY :
 APPROVED BY :



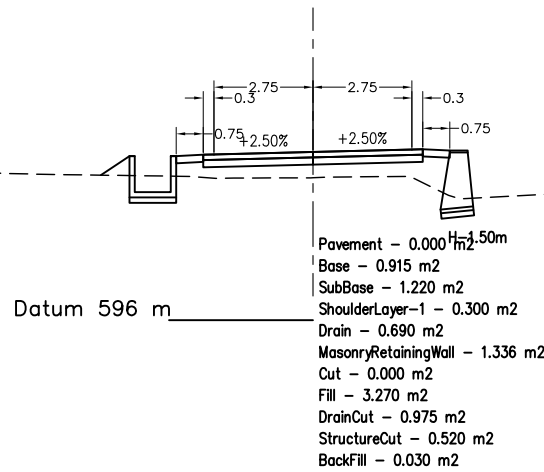
Cross-Section
6+480-6+640

DATE: March 2022
 DRG NO : RCIP2/DNG/BBJ/CX
 SHEET NO : **37**

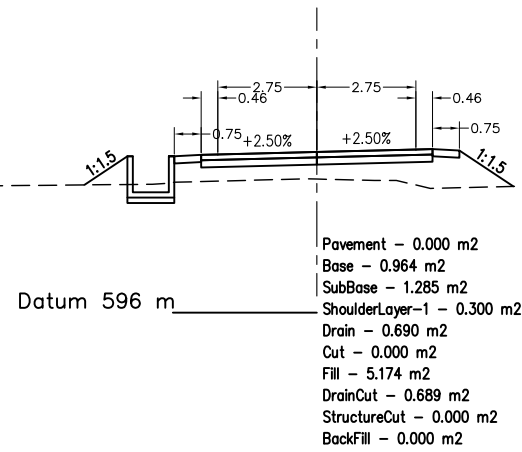


Government of Nepal Ministry of Federal Affairs and General Administration Department of Local Infrastructure (DoLI) Rural Connectivity Improvement Project-phase 2 (DoLI/RCIP/DPR-04/2019)	CONSULTANT:	ROAD NAME :	DATE	REVISION	SIGNATURE	DESIGNED BY :	SCALE 	Cross-Section 6+660-6+820	DATE: March 2022
	ITECO - INCLUSIVE JV Sitapaila Chowk, Ring Road	Bijauri-Basdabara-Jmuni-Laxmipur-Dakchin-Kurariya-Kanjawar-Kothari Road Dang District				DRAWN BY :			DRG NO : RCIP2/DNG/BBJ/CX
						CHECKED BY :			SHEET NO :
						APPROVED BY :			38

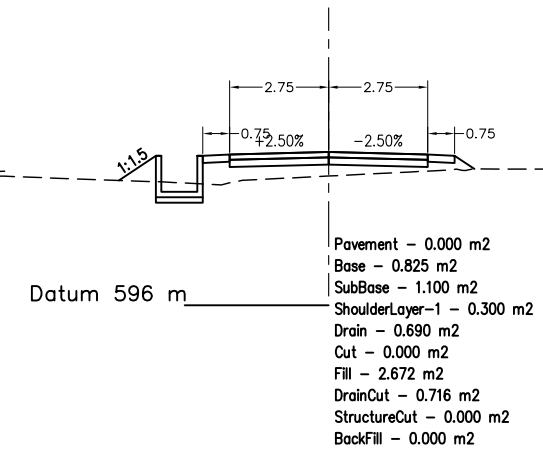
Ch: 6+880
GL: 599.954
DL: 600.669



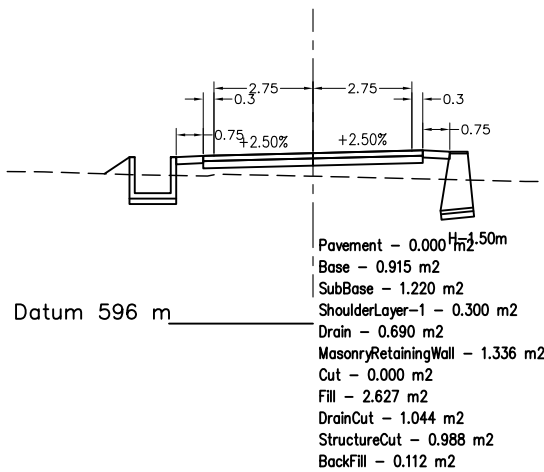
Ch: 6+940
GL: 599.712
DL: 600.463



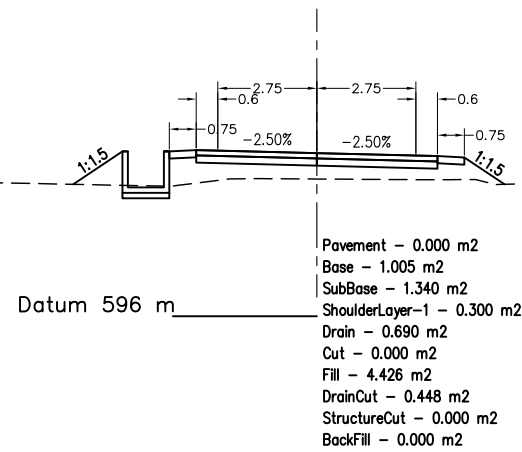
Ch: 7+000
GL: 599.590
DL: 600.257



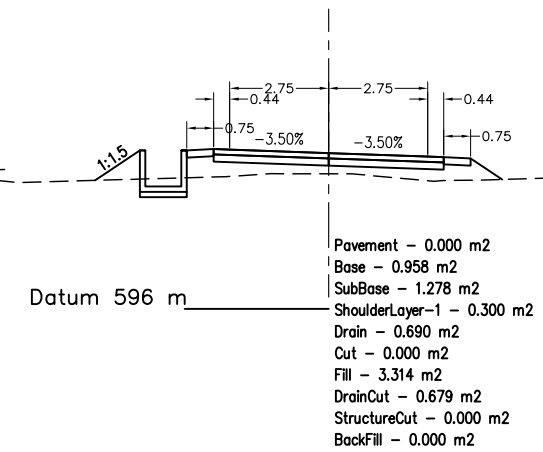
Ch: 6+860
GL: 600.097
DL: 600.738



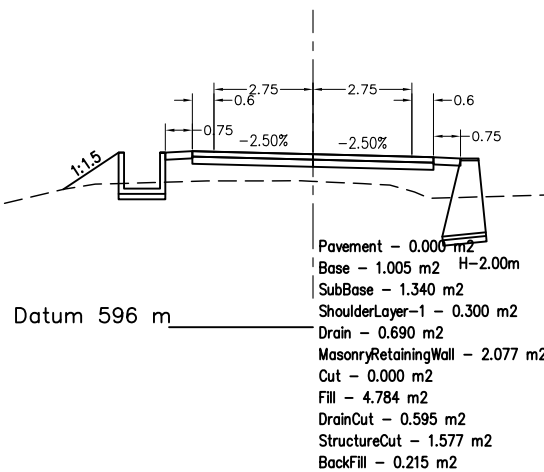
Ch: 6+920
GL: 599.812
DL: 600.532



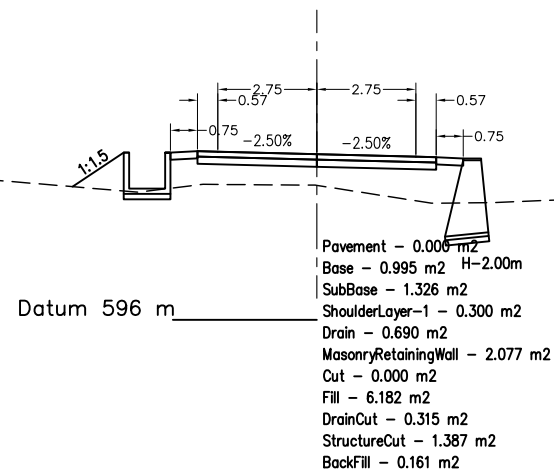
Ch: 6+980
GL: 599.752
DL: 600.326



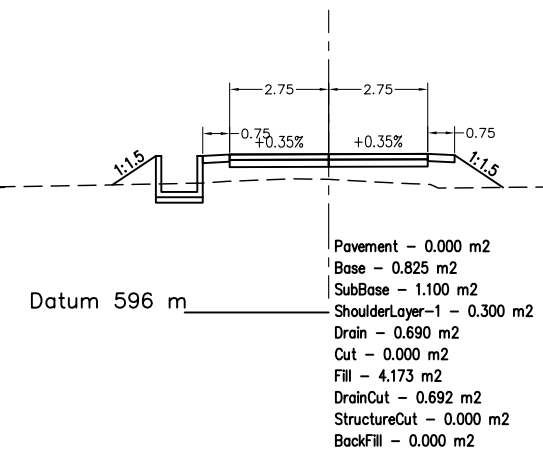
Ch: 6+840
GL: 600.053
DL: 600.806



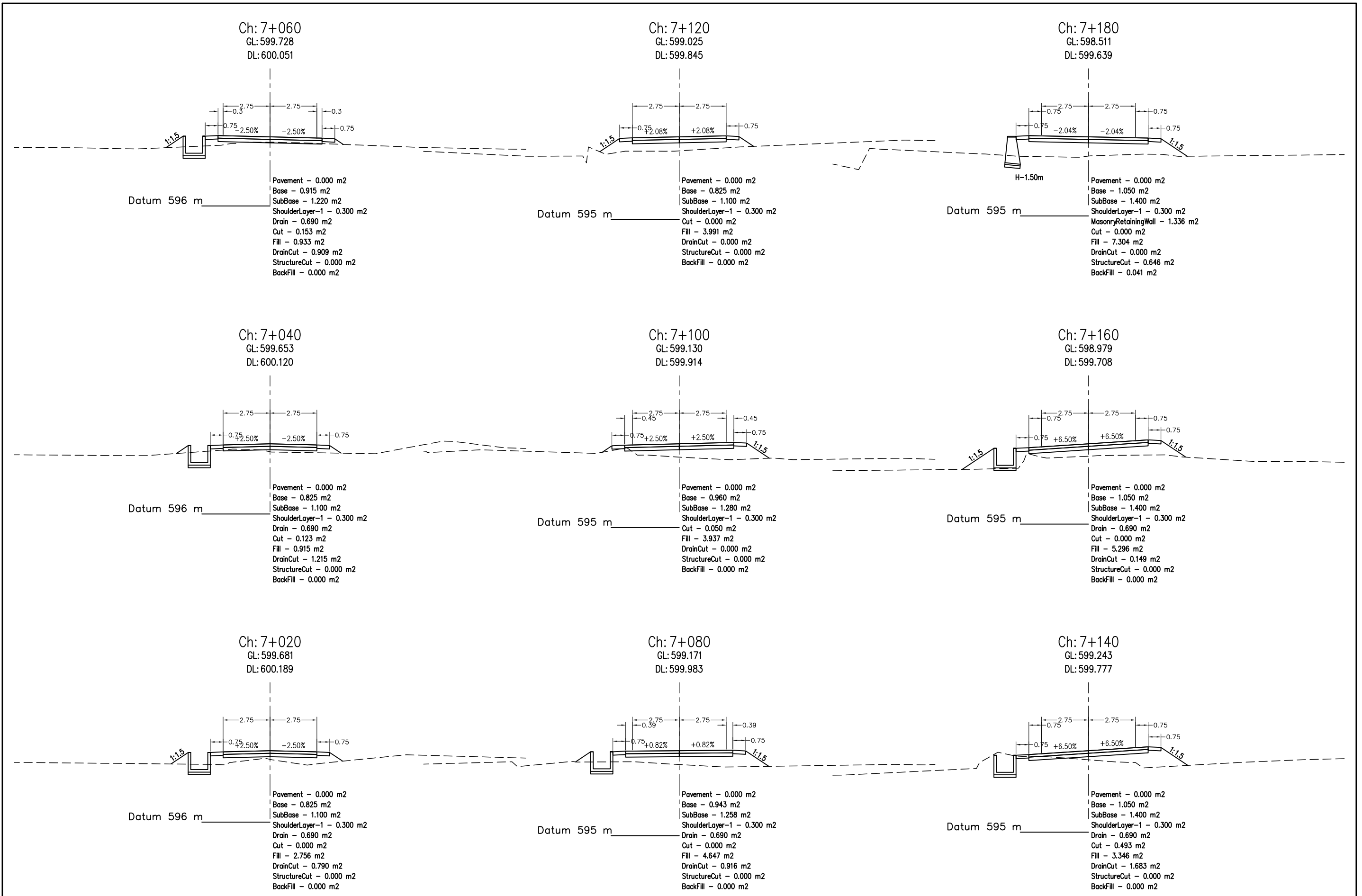
Ch: 6+900
GL: 599.734
DL: 600.600



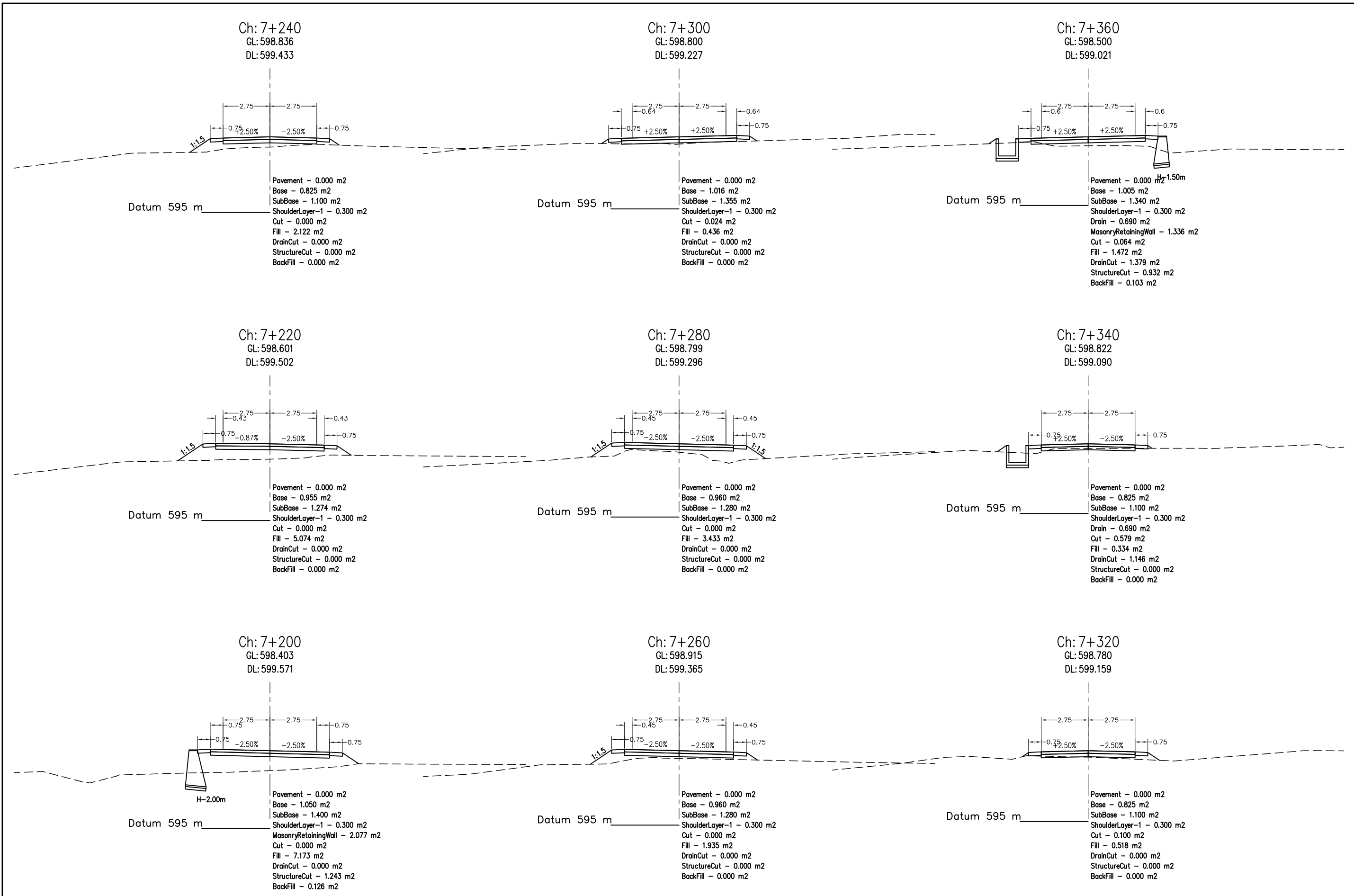
Ch: 6+960
GL: 599.695
DL: 600.395



Government of Nepal Ministry of Federal Affairs and General Administration Department of Local Infrastructure (DoLI) Rural Connectivity Improvement Project-phase 2 (DoLI/RCIP/DPR-04/2019)	CONSULTANT:	ROAD NAME :	DATE	REVISION	SIGNATURE	DESIGNED BY :	SCALE 	Cross-Section 6+840-7+000	DATE: March 2022
	ITECO - INCLUSIVE JV Sitapaila Chowk, Ring Road	Bijauri-Basdabara-Jmuni-Laxmipur-Dakchin-Kurariya-Kanjawar-Kothari Road Dang District				DRAWN BY :			DRG NO : RCIP2/DNG/BBJ/CX
						CHECKED BY :			SHEET NO :
						APPROVED BY :			39



Government of Nepal Ministry of Federal Affairs and General Administration Department of Local Infrastructure (DoLI) Rural Connectivity Improvement Project-phase 2 (DoLI/RCIP/DPR-04/2019)	CONSULTANT:	ROAD NAME :	DATE	REVISION	SIGNATURE	DESIGNED BY :	SCALE 	Cross-Section 7+020-7+180	DATE: March 2022
	ITECO - INCLUSIVE JV Sitapaila Chowk, Ring Road	Bijauri-Basdabara-Jmuni-Laxmipur-Dakchin-Kurariya-Kanjawar-Kothari Road Dang District				DRAWN BY :			DRG NO : RCI/2/DNG/BBJ/CX
						CHECKED BY :			SHEET NO :
						APPROVED BY :			40



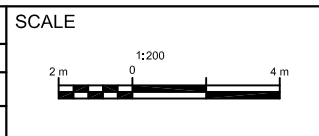
Government of Nepal
 Ministry of Federal Affairs and General Administration
 Department of Local Infrastructure (DoLI)
Rural Connectivity Improvement Project-phase 2
 (DoLI/RCIP/DPR-04/2019)

CONSULTANT:
ITECO - INCLUSIVE JV
 Sitapaila Chowk, Ring Road

ROAD NAME :
 Bijauri-Basdabara-Jmuni-Laxmipur-
 Dakchin-Kurariya-Kanjawar-Kothari
 Road
 Dang District

DATE
 REVISION
 SIGNATURE

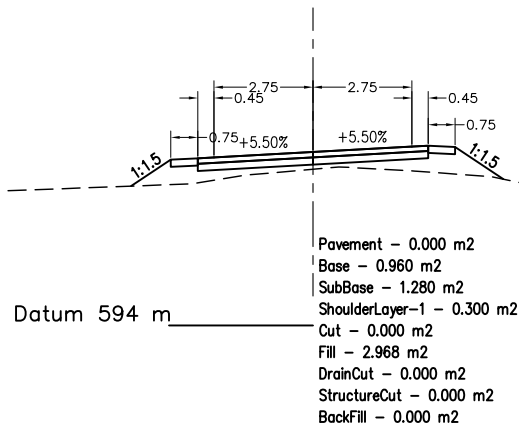
DESIGNED BY :
 DRAWN BY :
 CHECKED BY :
 APPROVED BY :



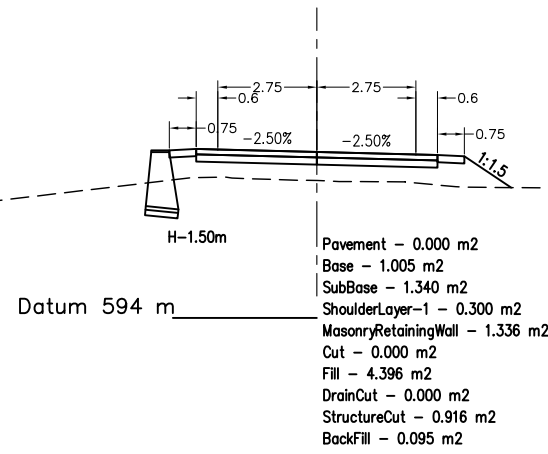
Cross-Section
7+200-7+360

DATE: March 2022
 DRG NO :RCIP2/DNG/BBJ/CX
 SHEET NO : **41**

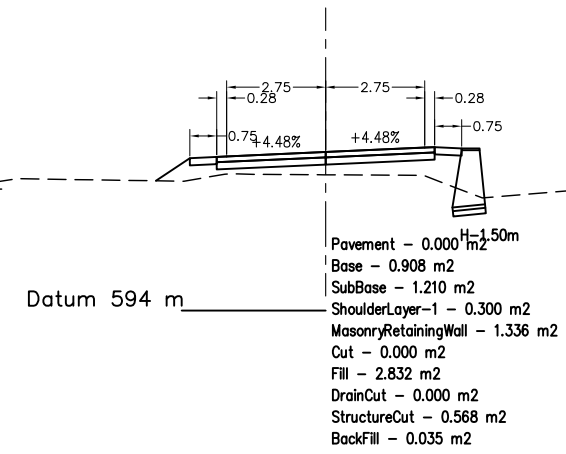
Ch: 7+420
GL: 598.336
DL: 598.816



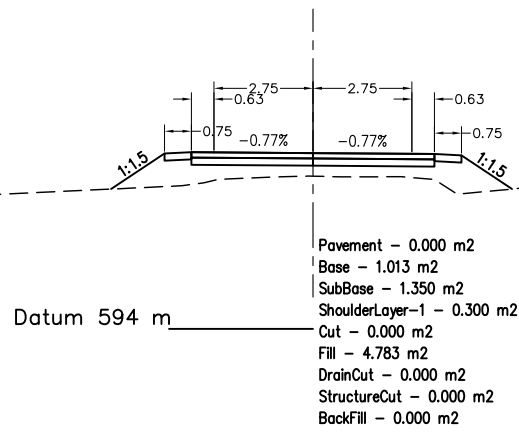
Ch: 7+480
GL: 597.820
DL: 598.610



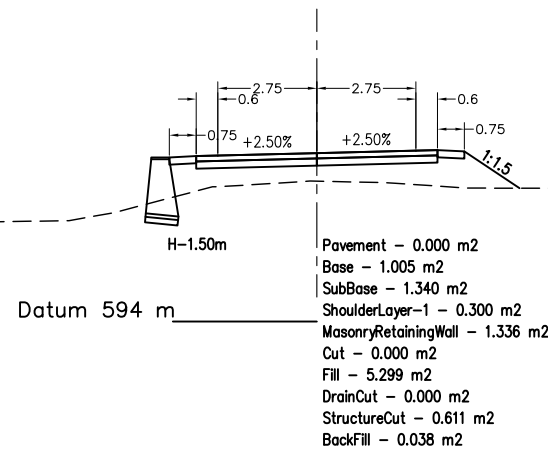
Ch: 7+540
GL: 597.771
DL: 598.404



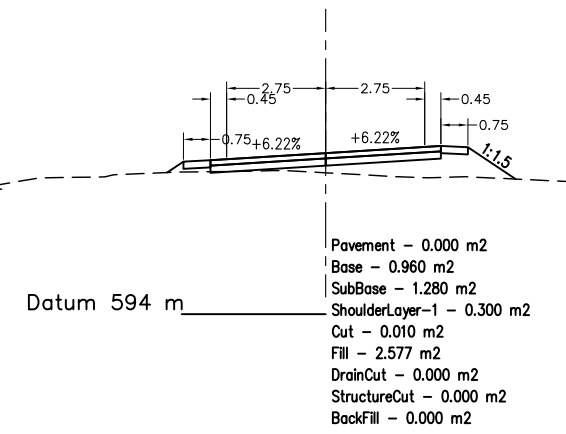
Ch: 7+400
GL: 598.242
DL: 598.884



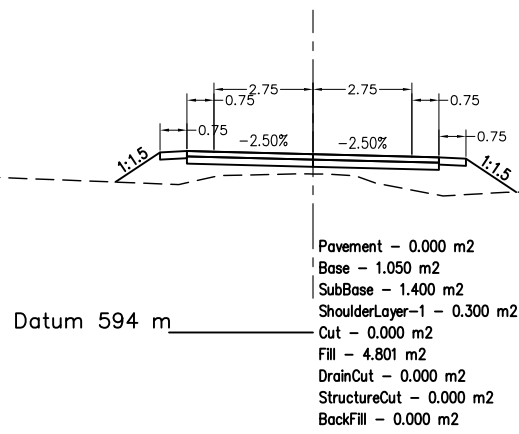
Ch: 7+460
GL: 597.898
DL: 598.678



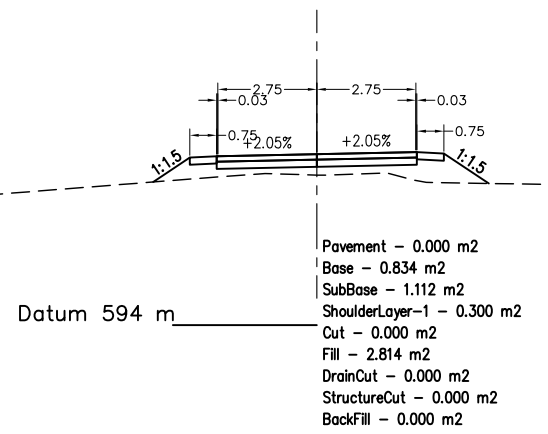
Ch: 7+520
GL: 597.925
DL: 598.472



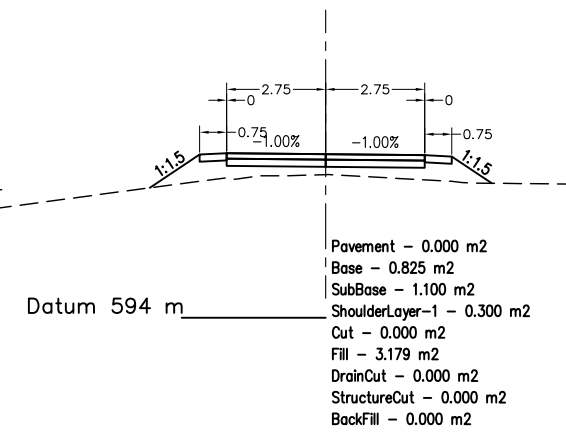
Ch: 7+380
GL: 598.403
DL: 598.953



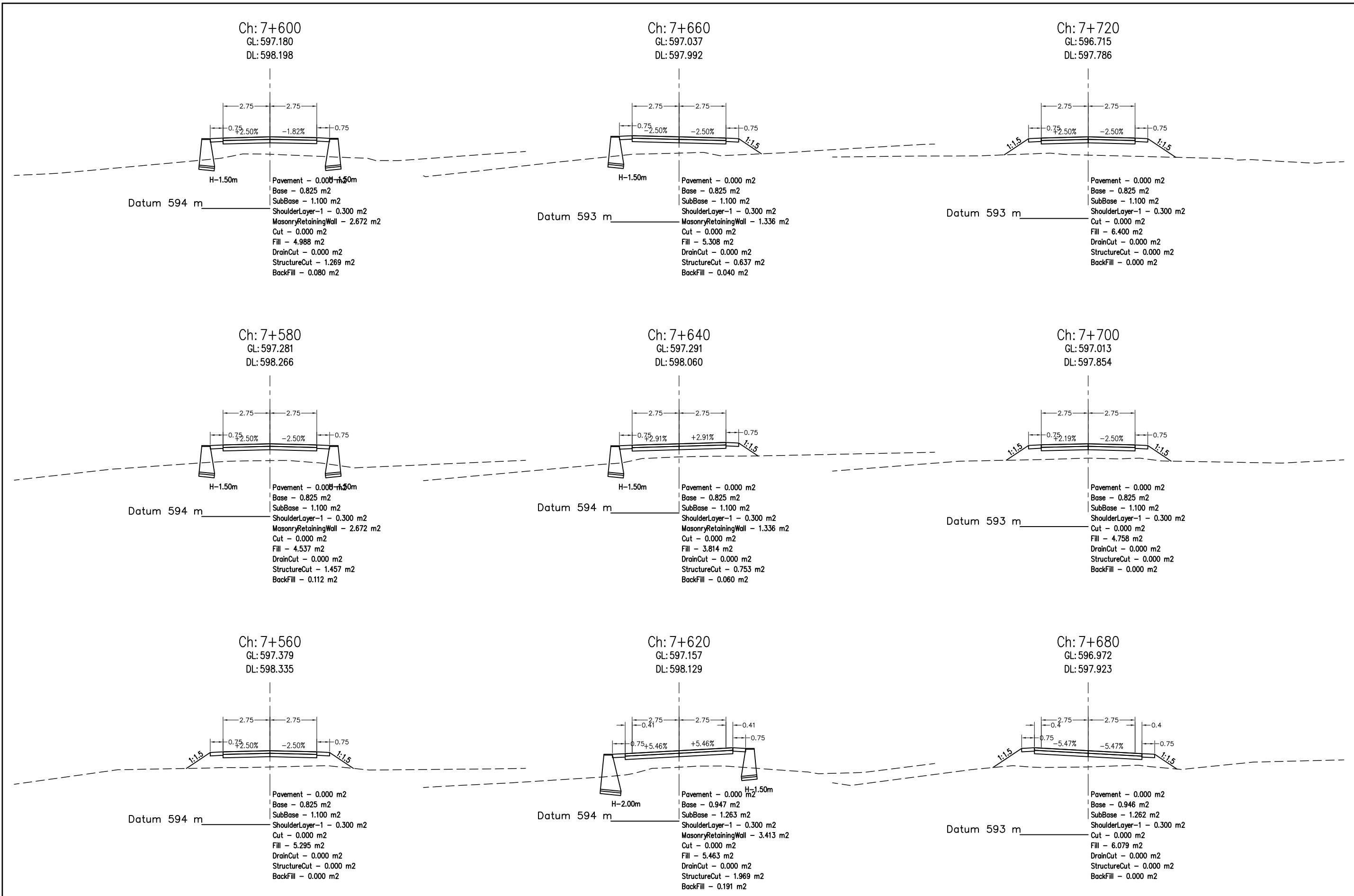
Ch: 7+440
GL: 598.166
DL: 598.747



Ch: 7+500
GL: 597.973
DL: 598.541



Government of Nepal Ministry of Federal Affairs and General Administration Department of Local Infrastructure (DoLI) Rural Connectivity Improvement Project-phase 2 (DoLI/RCIP/DPR-04/2019)	CONSULTANT:	ROAD NAME : Bijauri-Basdabara-Jmuni-Laxmipur- Dakchin-Kurariya-Kanjawar-Kothari Road Dang District	DATE	REVISION	SIGNATURE	DESIGNED BY :	SCALE 	Cross-Section 7+380-7+540	DATE: March 2022
	ITECO - INCLUSIVE JV Sitapaila Chowk, Ring Road					DRAWN BY :			DRG NO : RCIIP2/DNG/BBJ/CX
						CHECKED BY :			SHEET NO : 42
						APPROVED BY :			

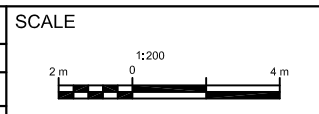


Government of Nepal
 Ministry of Federal Affairs and General Administration
 Department of Local Infrastructure (DoLI)
Rural Connectivity Improvement Project-phase 2
 (DoLI/RCIP/DPR-04/2019)

CONSULTANT:
ITECO - INCLUSIVE JV
 Sitapaila Chowk, Ring Road

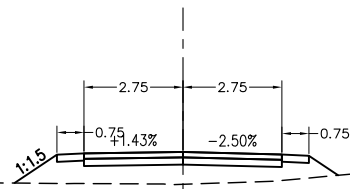
ROAD NAME :
 Bijauri-Basdabara-Jmuni-Laxmipur-
 Dakchin-Kurariya-Kanjawar-Kothari
 Road
 Dang District

DATE
 REVISION
 SIGNATURE
 DESIGNED BY :
 DRAWN BY :
 CHECKED BY :
 APPROVED BY :



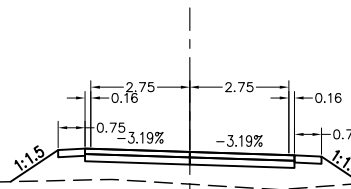
Cross-Section
7+560-7+720
 DATE: March 2022
 DRG NO : RCI/P2/DNG/BBJ/CX
 SHEET NO : **43**

Ch: 7+780
GL: 596.683
DL: 597.580



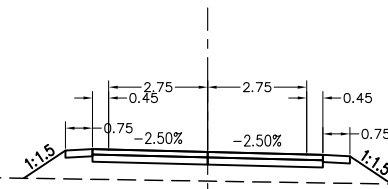
Datum 593 m
Pavement - 0.000 m2
Base - 0.825 m2
SubBase - 1.100 m2
ShoulderLayer-1 - 0.300 m2
Cut - 0.000 m2
Fill - 4.239 m2
DrainCut - 0.000 m2
StructureCut - 0.000 m2
BackFill - 0.000 m2

Ch: 7+840
GL: 596.479
DL: 597.374



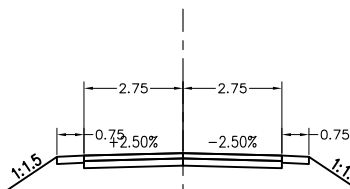
Datum 593 m
Pavement - 0.000 m2
Base - 0.873 m2
SubBase - 1.164 m2
ShoulderLayer-1 - 0.300 m2
Cut - 0.000 m2
Fill - 5.204 m2
DrainCut - 0.000 m2
StructureCut - 0.000 m2
BackFill - 0.000 m2

Ch: 7+900
GL: 596.005
DL: 596.814



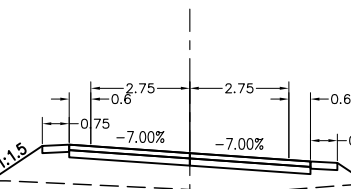
Datum 592 m
Pavement - 0.000 m2
Base - 0.960 m2
SubBase - 1.280 m2
ShoulderLayer-1 - 0.300 m2
Cut - 0.000 m2
Fill - 4.718 m2
DrainCut - 0.000 m2
StructureCut - 0.000 m2
BackFill - 0.000 m2

Ch: 7+760
GL: 596.595
DL: 597.648



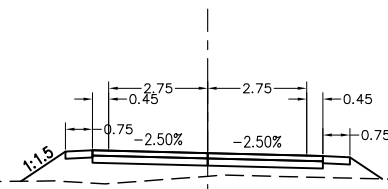
Datum 593 m
Pavement - 0.000 m2
Base - 0.825 m2
SubBase - 1.100 m2
ShoulderLayer-1 - 0.300 m2
Cut - 0.000 m2
Fill - 6.642 m2
DrainCut - 0.000 m2
StructureCut - 0.000 m2
BackFill - 0.000 m2

Ch: 7+820
GL: 596.429
DL: 597.443



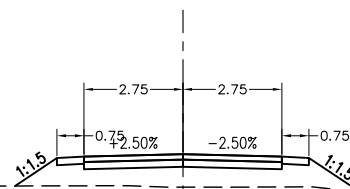
Datum 593 m
Pavement - 0.000 m2
Base - 1.005 m2
SubBase - 1.340 m2
ShoulderLayer-1 - 0.300 m2
Cut - 0.000 m2
Fill - 6.267 m2
DrainCut - 0.000 m2
StructureCut - 0.000 m2
BackFill - 0.000 m2

Ch: 7+880
GL: 596.519
DL: 597.163



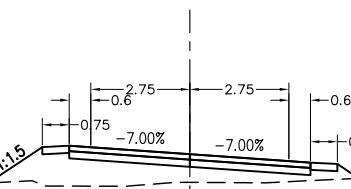
Datum 593 m
Pavement - 0.000 m2
Base - 0.960 m2
SubBase - 1.280 m2
ShoulderLayer-1 - 0.300 m2
Cut - 0.000 m2
Fill - 3.810 m2
DrainCut - 0.000 m2
StructureCut - 0.000 m2
BackFill - 0.000 m2

Ch: 7+740
GL: 596.800
DL: 597.717



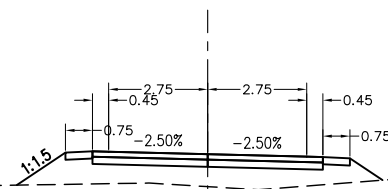
Datum 593 m
Pavement - 0.000 m2
Base - 0.825 m2
SubBase - 1.100 m2
ShoulderLayer-1 - 0.300 m2
Cut - 0.000 m2
Fill - 4.773 m2
DrainCut - 0.000 m2
StructureCut - 0.000 m2
BackFill - 0.000 m2

Ch: 7+800
GL: 596.728
DL: 597.511



Datum 593 m
Pavement - 0.000 m2
Base - 1.005 m2
SubBase - 1.340 m2
ShoulderLayer-1 - 0.300 m2
Cut - 0.000 m2
Fill - 4.837 m2
DrainCut - 0.000 m2
StructureCut - 0.000 m2
BackFill - 0.000 m2

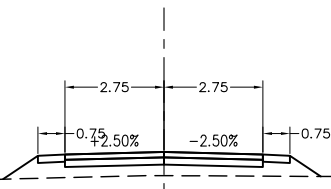
Ch: 7+860
GL: 596.403
DL: 597.305



Datum 593 m
Pavement - 0.000 m2
Base - 0.960 m2
SubBase - 1.280 m2
ShoulderLayer-1 - 0.300 m2
Cut - 0.000 m2
Fill - 5.219 m2
DrainCut - 0.000 m2
StructureCut - 0.000 m2
BackFill - 0.000 m2

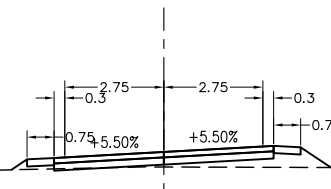
Government of Nepal Ministry of Federal Affairs and General Administration Department of Local Infrastructure (DoLI) Rural Connectivity Improvement Project-phase 2 (DoLI/RCIP/DPR-04/2019)	CONSULTANT:	ROAD NAME :	DATE	REVISION	SIGNATURE	DESIGNED BY :	SCALE 	Cross-Section 7+740-7+900	DATE: March 2022
	ITECO - INCLUSIVE JV Sitapaila Chowk, Ring Road	Bijauri-Basdabara-Jmuni-Laxmipur-Dakchin-Kurariya-Kanjawar-Kothari Road Dang District				DRAWN BY :			DRG NO : RCIP2/DNG/BBJ/CX
						CHECKED BY :			SHEET NO :
						APPROVED BY :			44

Ch: 7+960
GL: 594.204
DL: 594.861



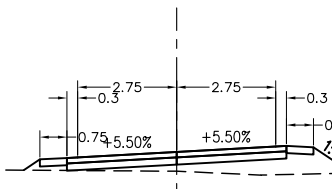
Datum 590 m
Pavement - 0.000 m2
Base - 0.825 m2
SubBase - 1.100 m2
ShoulderLayer-1 - 0.300 m2
Cut - 0.000 m2
Fill - 2.743 m2
DrainCut - 0.000 m2
StructureCut - 0.000 m2
BackFill - 0.000 m2

Ch: 8+020
GL: 592.348
DL: 592.766



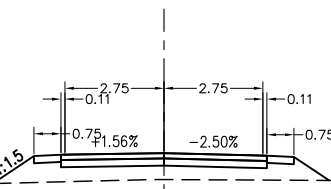
Datum 588 m
Pavement - 0.000 m2
Base - 0.915 m2
SubBase - 1.220 m2
ShoulderLayer-1 - 0.300 m2
Cut - 0.036 m2
Fill - 1.169 m2
DrainCut - 0.000 m2
StructureCut - 0.000 m2
BackFill - 0.000 m2

Ch: 8+080
GL: 590.137
DL: 590.670



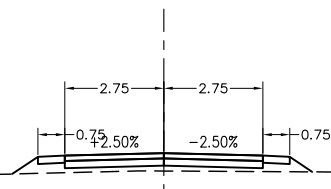
Datum 586 m
Pavement - 0.000 m2
Base - 0.915 m2
SubBase - 1.220 m2
ShoulderLayer-1 - 0.300 m2
Cut - 0.000 m2
Fill - 2.273 m2
DrainCut - 0.000 m2
StructureCut - 0.000 m2
BackFill - 0.000 m2

Ch: 7+940
GL: 594.823
DL: 595.559



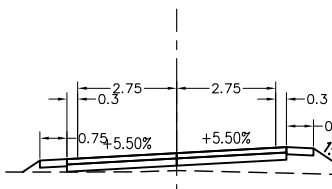
Datum 591 m
Pavement - 0.000 m2
Base - 0.858 m2
SubBase - 1.144 m2
ShoulderLayer-1 - 0.300 m2
Cut - 0.000 m2
Fill - 3.632 m2
DrainCut - 0.000 m2
StructureCut - 0.000 m2
BackFill - 0.000 m2

Ch: 8+000
GL: 592.965
DL: 593.464



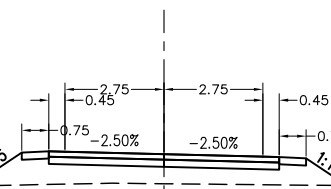
Datum 589 m
Pavement - 0.000 m2
Base - 0.825 m2
SubBase - 1.100 m2
ShoulderLayer-1 - 0.300 m2
Cut - 0.000 m2
Fill - 1.354 m2
DrainCut - 0.000 m2
StructureCut - 0.000 m2
BackFill - 0.000 m2

Ch: 8+060
GL: 590.882
DL: 591.369



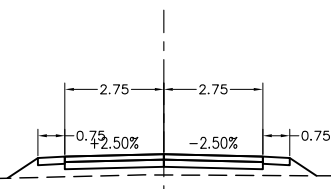
Datum 587 m
Pavement - 0.000 m2
Base - 0.915 m2
SubBase - 1.220 m2
ShoulderLayer-1 - 0.300 m2
Cut - 0.000 m2
Fill - 1.983 m2
DrainCut - 0.000 m2
StructureCut - 0.000 m2
BackFill - 0.000 m2

Ch: 7+920
GL: 595.434
DL: 596.255



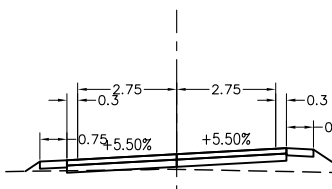
Datum 592 m
Pavement - 0.000 m2
Base - 0.960 m2
SubBase - 1.280 m2
ShoulderLayer-1 - 0.300 m2
Cut - 0.000 m2
Fill - 5.054 m2
DrainCut - 0.000 m2
StructureCut - 0.000 m2
BackFill - 0.000 m2

Ch: 7+980
GL: 593.585
DL: 594.162



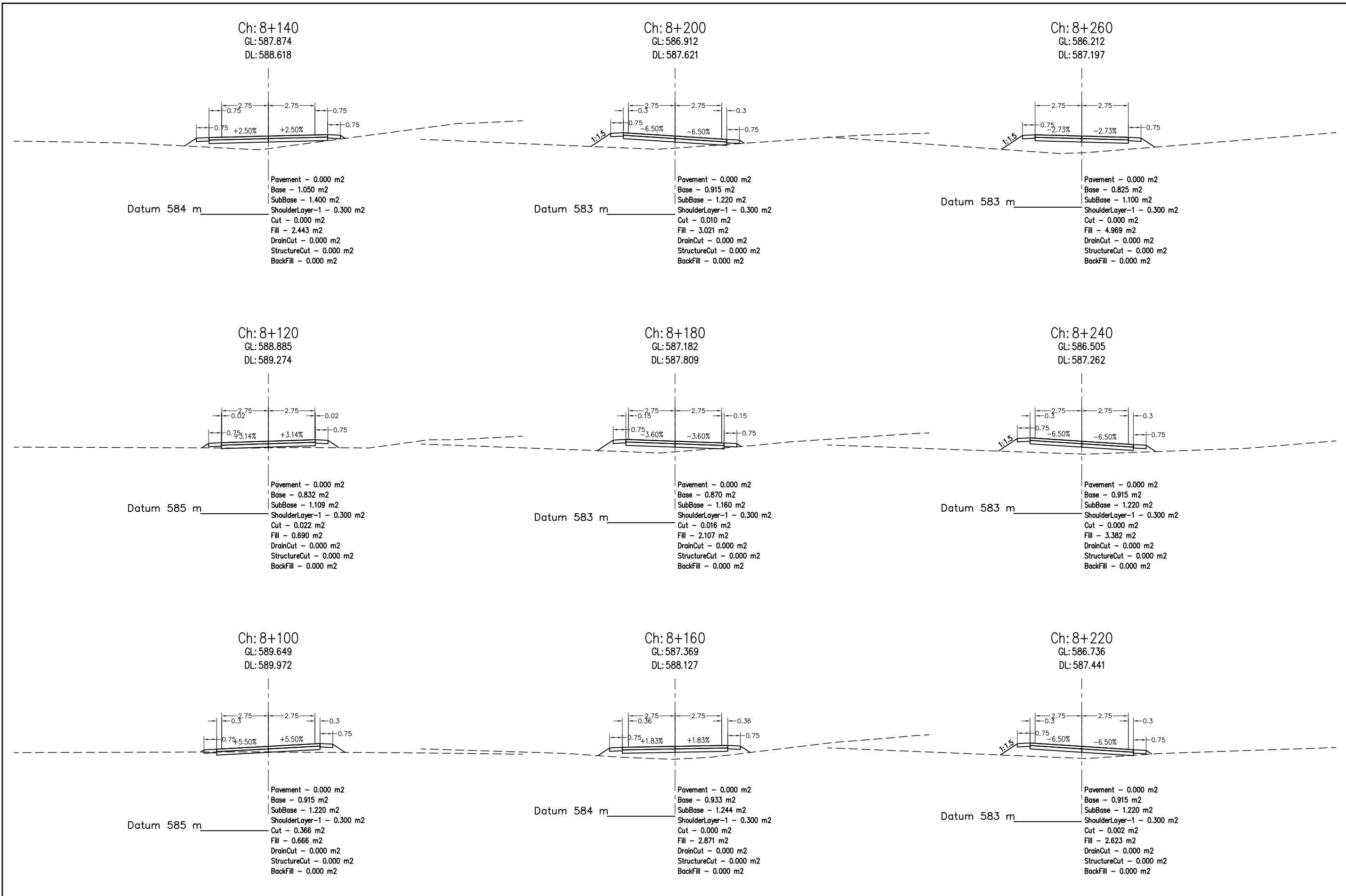
Datum 590 m
Pavement - 0.000 m2
Base - 0.825 m2
SubBase - 1.100 m2
ShoulderLayer-1 - 0.300 m2
Cut - 0.000 m2
Fill - 2.035 m2
DrainCut - 0.000 m2
StructureCut - 0.000 m2
BackFill - 0.000 m2

Ch: 8+040
GL: 591.646
DL: 592.067

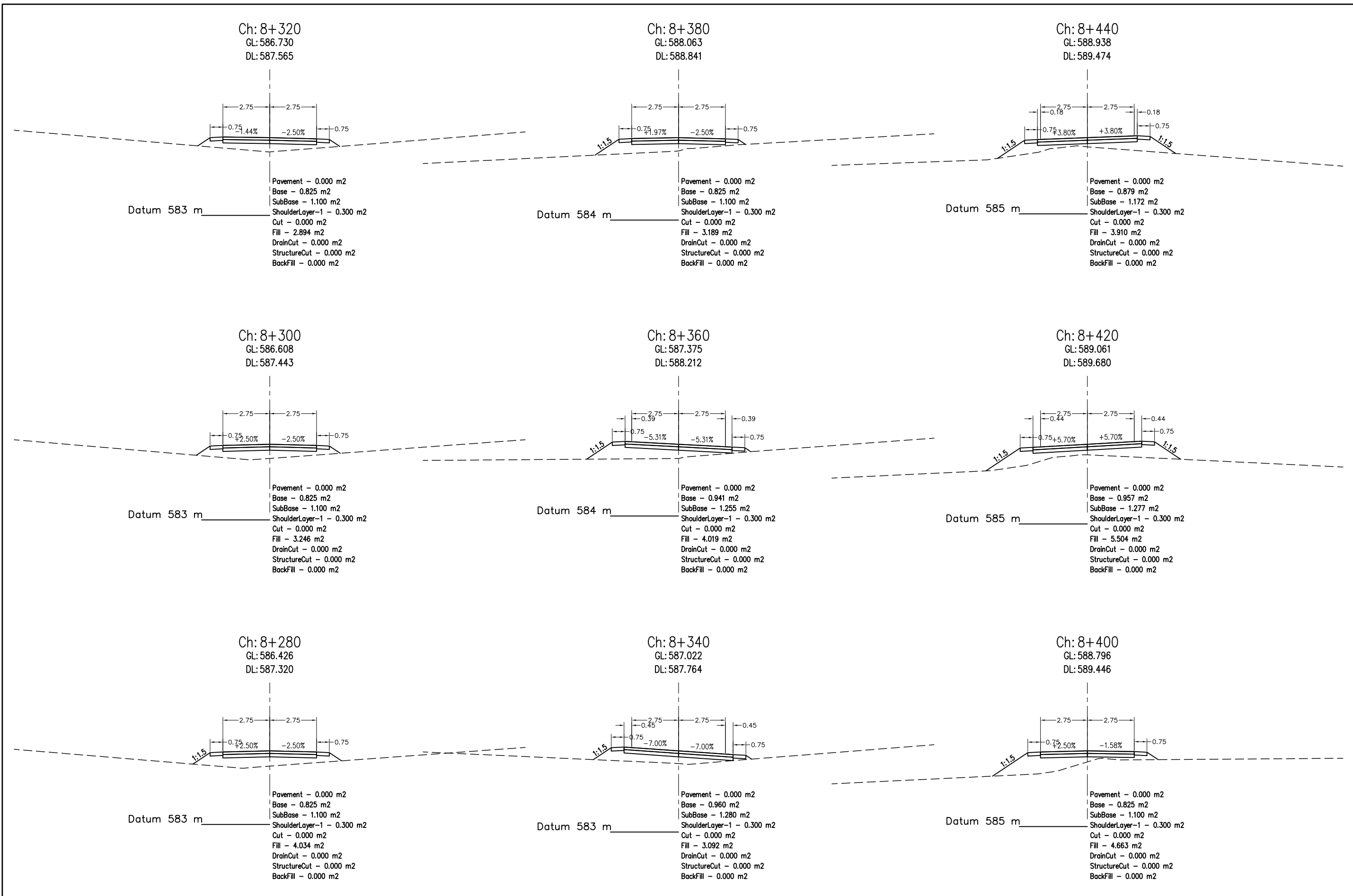


Datum 588 m
Pavement - 0.000 m2
Base - 0.915 m2
SubBase - 1.220 m2
ShoulderLayer-1 - 0.300 m2
Cut - 0.041 m2
Fill - 1.365 m2
DrainCut - 0.000 m2
StructureCut - 0.000 m2
BackFill - 0.000 m2

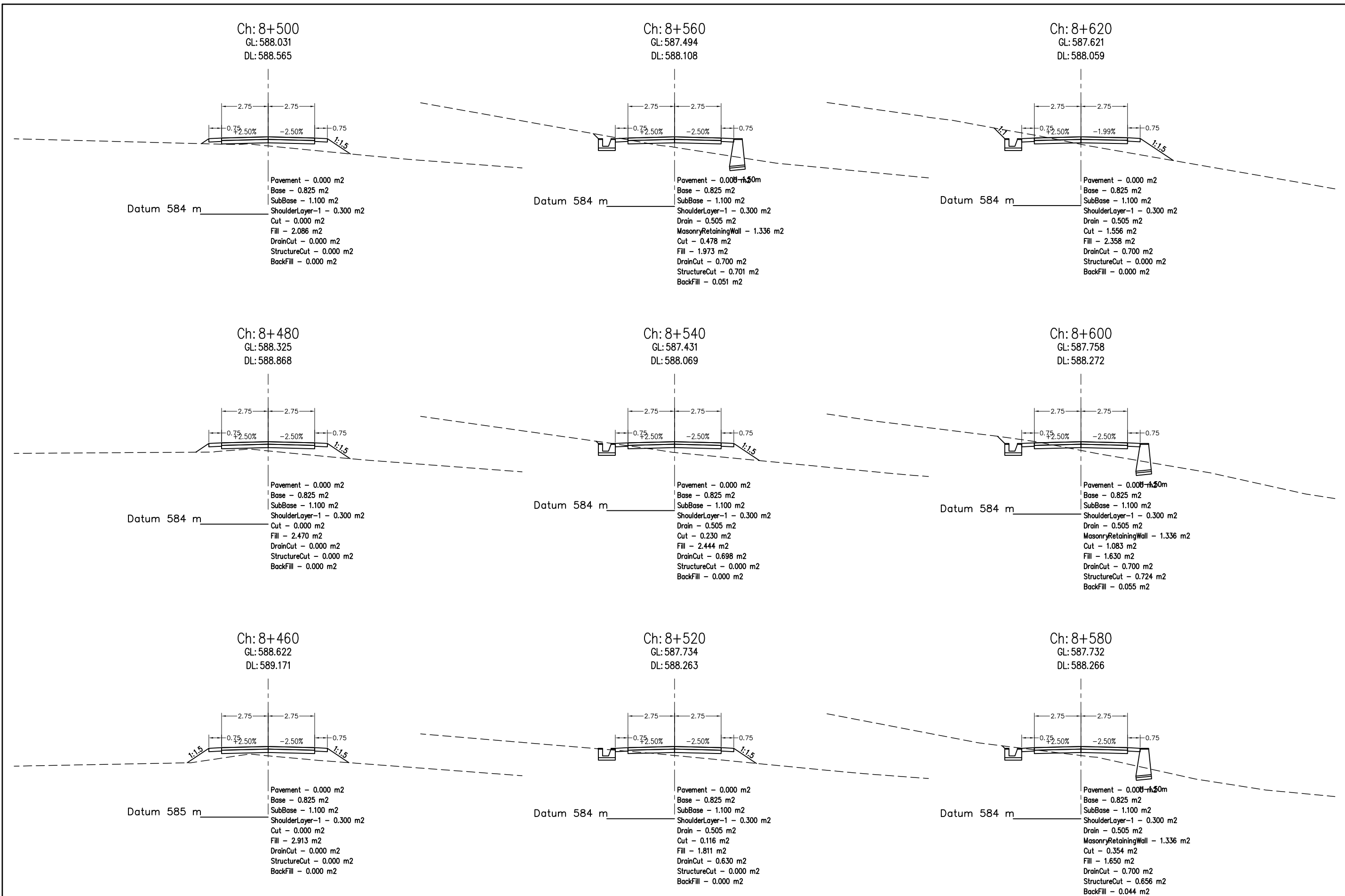
Government of Nepal Ministry of Federal Affairs and General Administration Department of Local Infrastructure (DoLI) Rural Connectivity Improvement Project-phase 2 (DoLI/RCIP/DPR-04/2019)	CONSULTANT: ITECO - INCLUSIVE JV Sitapaila Chowk, Ring Road	ROAD NAME : Bijauri-Basdabara-Jmuni-Laxmipur- Dakchin-Kurariya-Kanjawar-Kothari Road Dang District	DATE	REVISION	SIGNATURE	DESIGNED BY :	SCALE 	Cross-Section 7+920-8+080	DATE: March 2022
						DRAWN BY :			DRG NO : RCIIP2/DNG/BBJ/CX
						CHECKED BY :			SHEET NO :
						APPROVED BY :			45



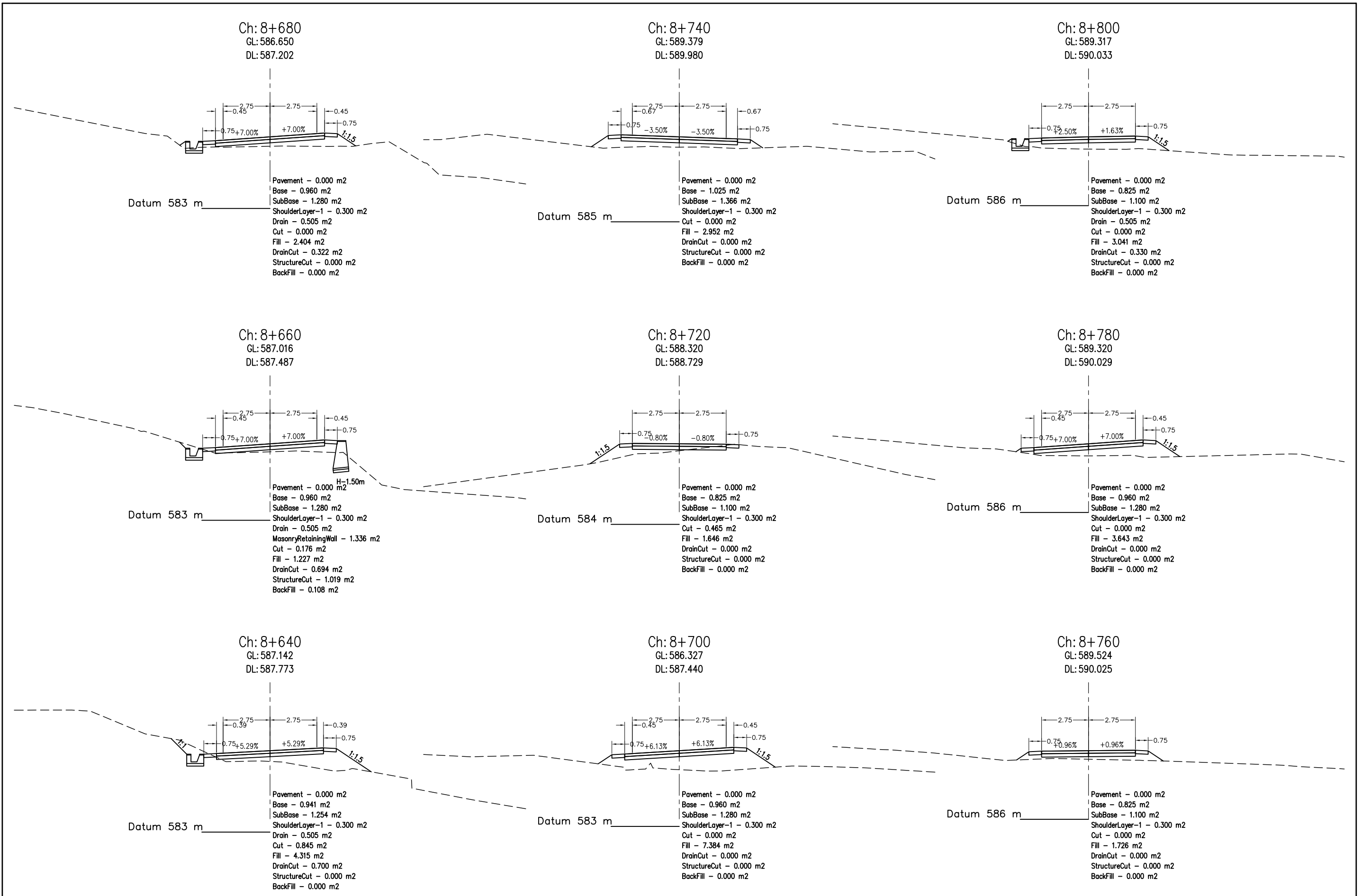
Government of Nepal Ministry of Federal Affairs and General Administration Department of Local Infrastructure (DoLI) Rural Connectivity Improvement Project-phase 2 (DoLI/RCIP/DPR-04/2019)	CONSULTANT:	ROAD NAME :	DATE	REVISION	SIGNATURE	DESIGNED BY :	SCALE 	Cross-Section 8+100-8+260	DATE: March 2022
	ITECO - INCLUSIVE JV	Bijauri-Basdabara-Jmuni-Laxmipur-Dakchin-Kurariya-Kanjawar-Kothari Road				DRAWN BY :			DRG NO : RCI/P2/DNG/BBJ/CX
	Sitapaila Chowk, Ring Road	Dang District				CHECKED BY :			SHEET NO :
						APPROVED BY :			46



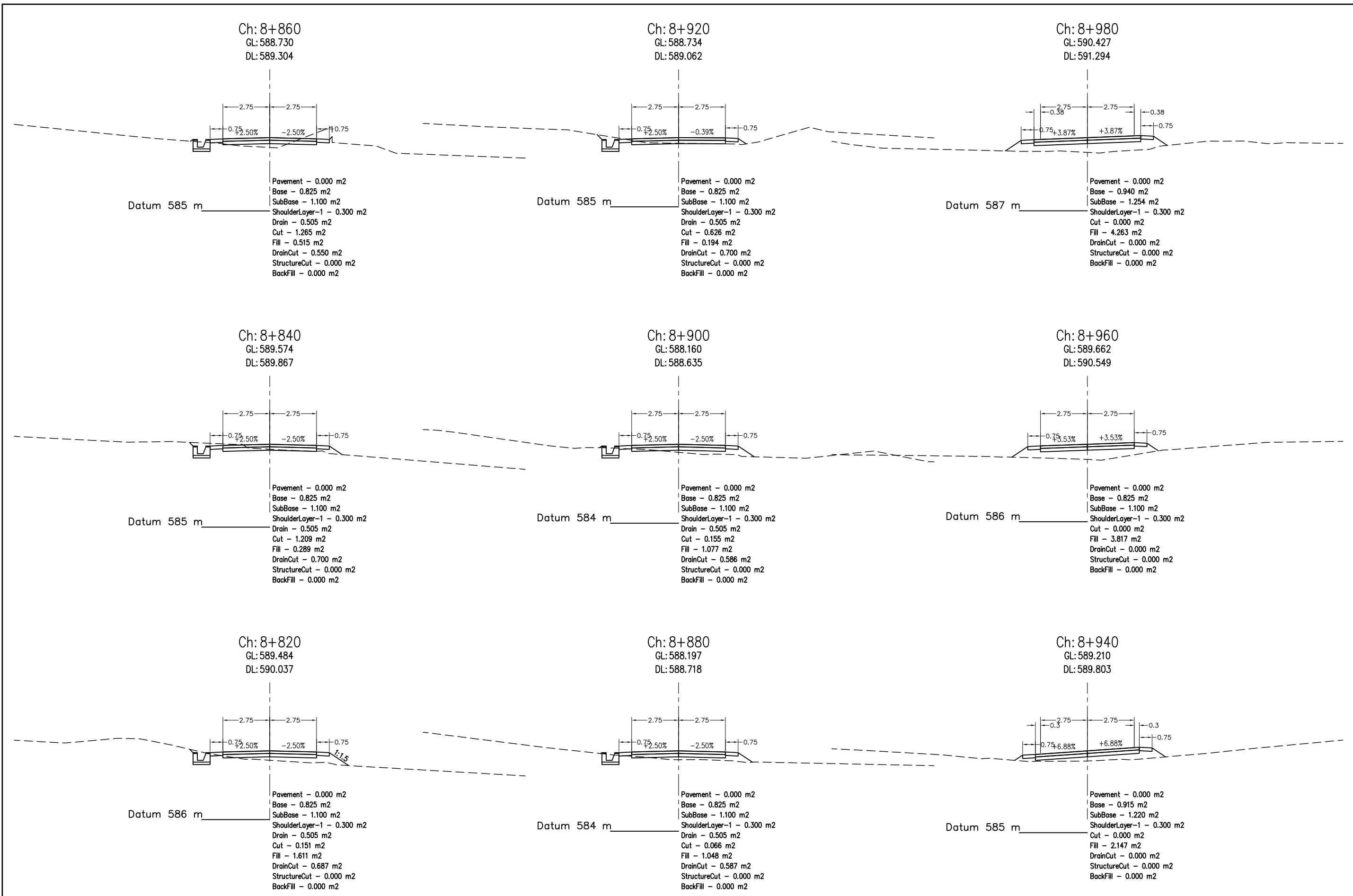
Government of Nepal Ministry of Federal Affairs and General Administration Department of Local Infrastructure (DoLI) Rural Connectivity Improvement Project-phase 2 (DoLI/RCIP/DPR-04/2019)	CONSULTANT: ITECO - INCLUSIVE JV Sitapaila Chowk, Ring Road	ROAD NAME : Bijauri-Basdabara-Jmuni-Laxmipur- Dakchin-Kurariya-Kanjawar-Kothari Road Dang District	DATE	REVISION	SIGNATURE	DESIGNED BY :	SCALE 	Cross-Section 8+280-8+440	DATE: March 2022
						DRAWN BY :			DRG NO : RCI/2/DNG/BBJ/CX
						CHECKED BY :			SHEET NO :
						APPROVED BY :			47



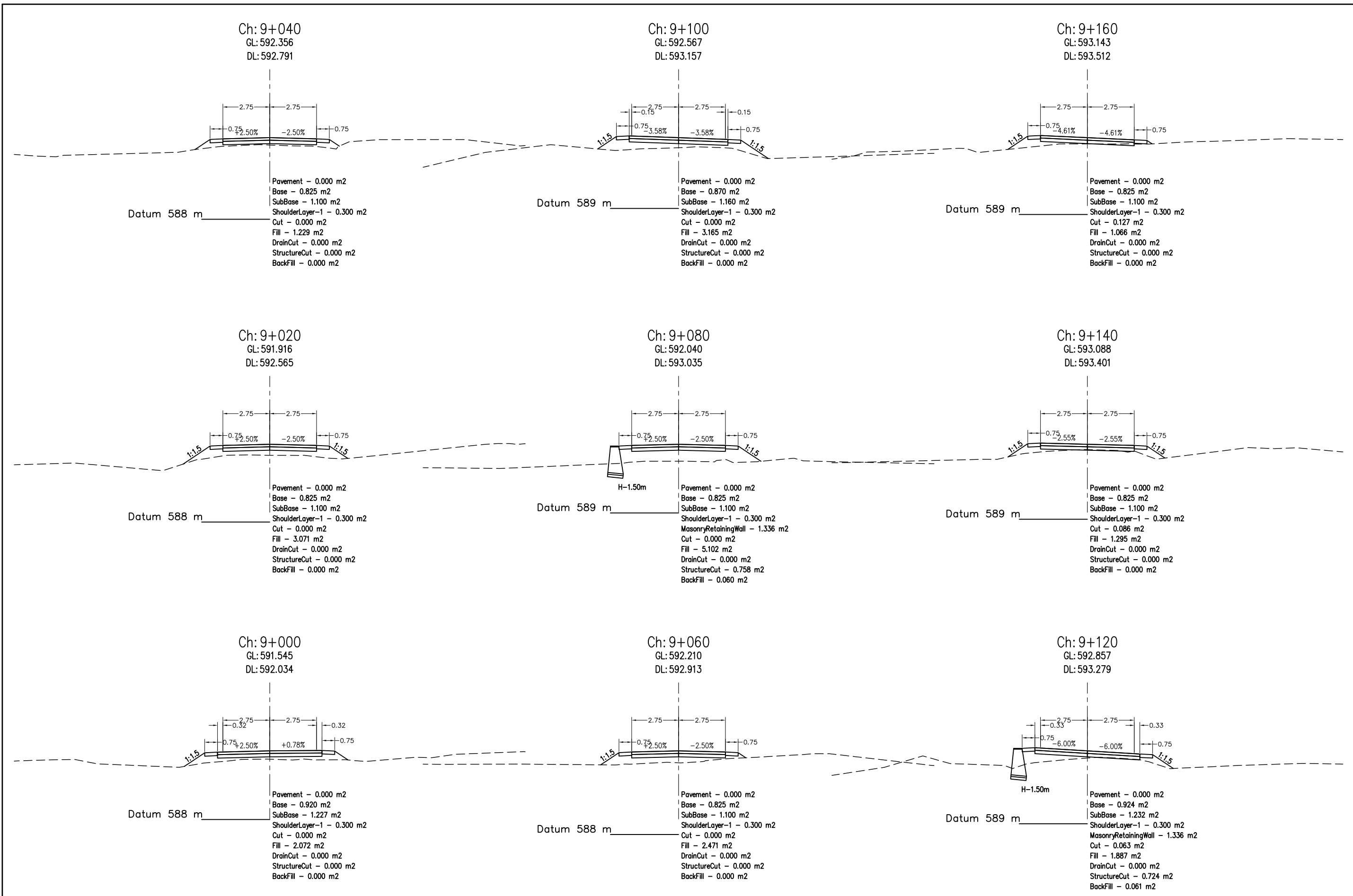
Government of Nepal Ministry of Federal Affairs and General Administration Department of Local Infrastructure (DoLI) Rural Connectivity Improvement Project-phase 2 (DoLI/RCIP/DPR-04/2019)	CONSULTANT: ITECO - INCLUSIVE JV Sitapaila Chowk, Ring Road	ROAD NAME : Bijauri-Basdabara-Jmuni-Laxmipur- Dakchin-Kurariya-Kanjawar-Kothari Road Dang District	DATE	REVISION	SIGNATURE	DESIGNED BY :	SCALE 	Cross-Section 8+460-8+620	DATE: March 2022
						DRAWN BY :			DRG NO : RCIP2/DNG/BBJ/CX
						CHECKED BY :			SHEET NO :
						APPROVED BY :			48



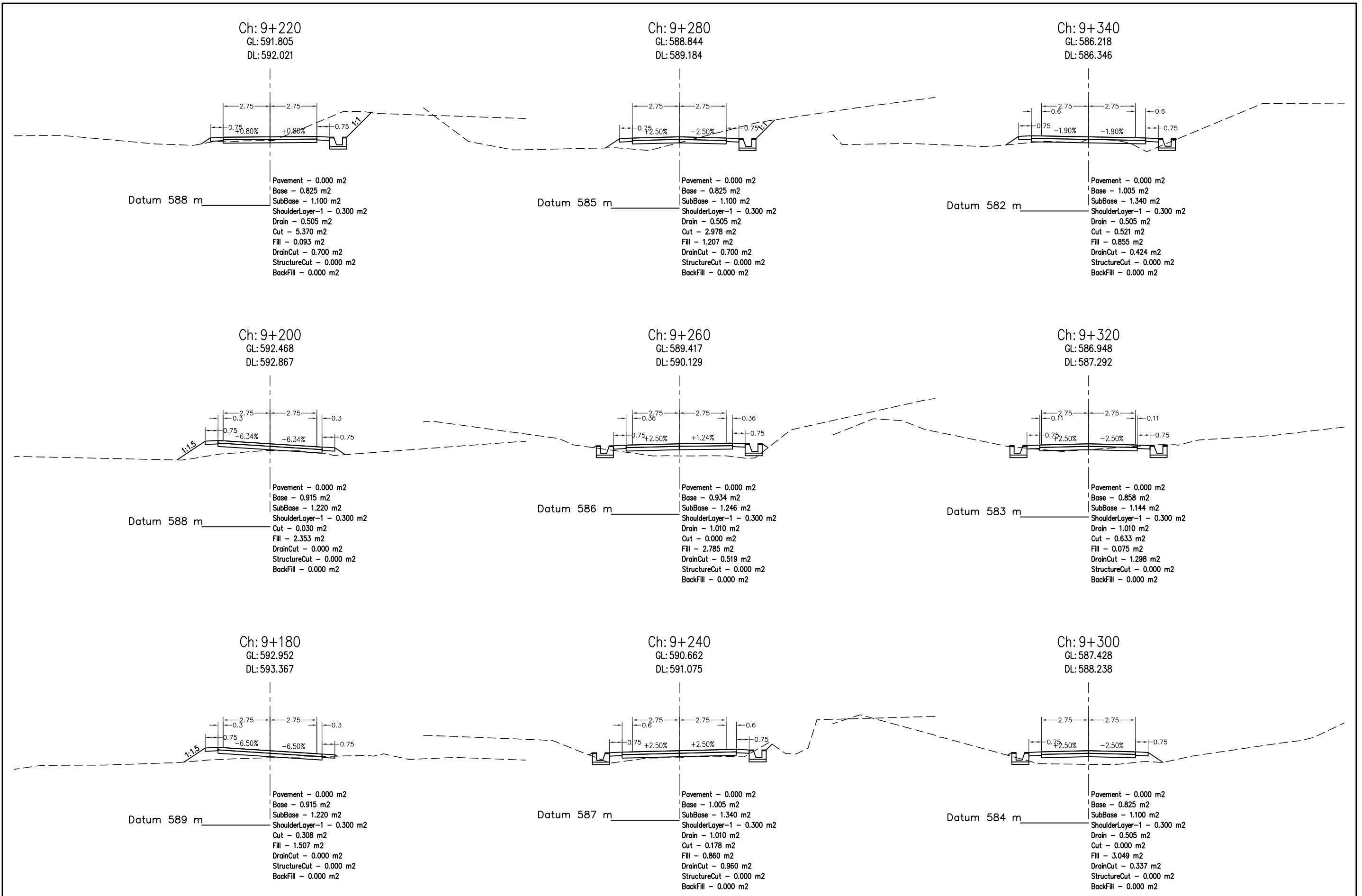
Government of Nepal Ministry of Federal Affairs and General Administration Department of Local Infrastructure (DoLI) Rural Connectivity Improvement Project-phase 2 (DoLI/RCIP/DPR-04/2019)	CONSULTANT:	ROAD NAME :	DATE	REVISION	SIGNATURE	DESIGNED BY :	SCALE 	Cross-Section 8+640-8+800	DATE: March 2022
	ITECO - INCLUSIVE JV Sitapaila Chowk, Ring Road	Bijauri-Basdabara-Jmuni-Laxmipur-Dakchin-Kurariya-Kanjawar-Kothari Road Dang District				DRAWN BY :			DRG NO : RCIP2/DNG/BBJ/CX
						CHECKED BY :			SHEET NO :
						APPROVED BY :			49



Government of Nepal Ministry of Federal Affairs and General Administration Department of Local Infrastructure (DoLI) Rural Connectivity Improvement Project-phase 2 (DoLI/RCIP/DPR-04/2019)	CONSULTANT:	ROAD NAME :	DATE	REVISION	SIGNATURE	DESIGNED BY :	SCALE 	Cross-Section 8+820-8+980	DATE: March 2022
	ITECO - INCLUSIVE JV Sitapaila Chowk, Ring Road	Bijauri-Basdabara-Jmuni-Laxmipur- Dakchin-Kurariya-Kanjawar-Kothari Road Dang District				DRAWN BY :			DRG NO : RCIP2/DNG/BBJ/CX
						CHECKED BY :			SHEET NO :
						APPROVED BY :			50



Government of Nepal Ministry of Federal Affairs and General Administration Department of Local Infrastructure (DoLI) Rural Connectivity Improvement Project-phase 2 (DoLI/RCIP/DPR-04/2019)	CONSULTANT: ITECO - INCLUSIVE JV Sitapaila Chowk, Ring Road	ROAD NAME : Bijauri-Basdabara-Jmuni-Laxmipur- Dakchin-Kurariya-Kanjawar-Kothari Road Dang District	DATE	REVISION	SIGNATURE	DESIGNED BY :	SCALE 	Cross-Section 9+000-9+160	DATE: March 2022
			CHECKED BY :	DRG NO : RCIP2/DNG/BBJ/CX					
			APPROVED BY :	SHEET NO :					
			51						



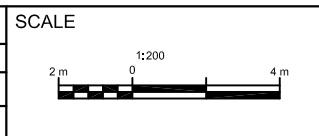
Government of Nepal
Ministry of Federal Affairs and General Administration
Department of Local Infrastructure (DoLI)
Rural Connectivity Improvement Project-phase 2
(DoLI/RCIP/DPR-04/2019)

CONSULTANT:
ITECO - INCLUSIVE JV
Sitapaila Chowk, Ring Road

ROAD NAME :
Bijauri-Basdabara-Jmuni-Laxmipur-
Dakchin-Kurariya-Kanjawar-Kothari
Road
Dang District

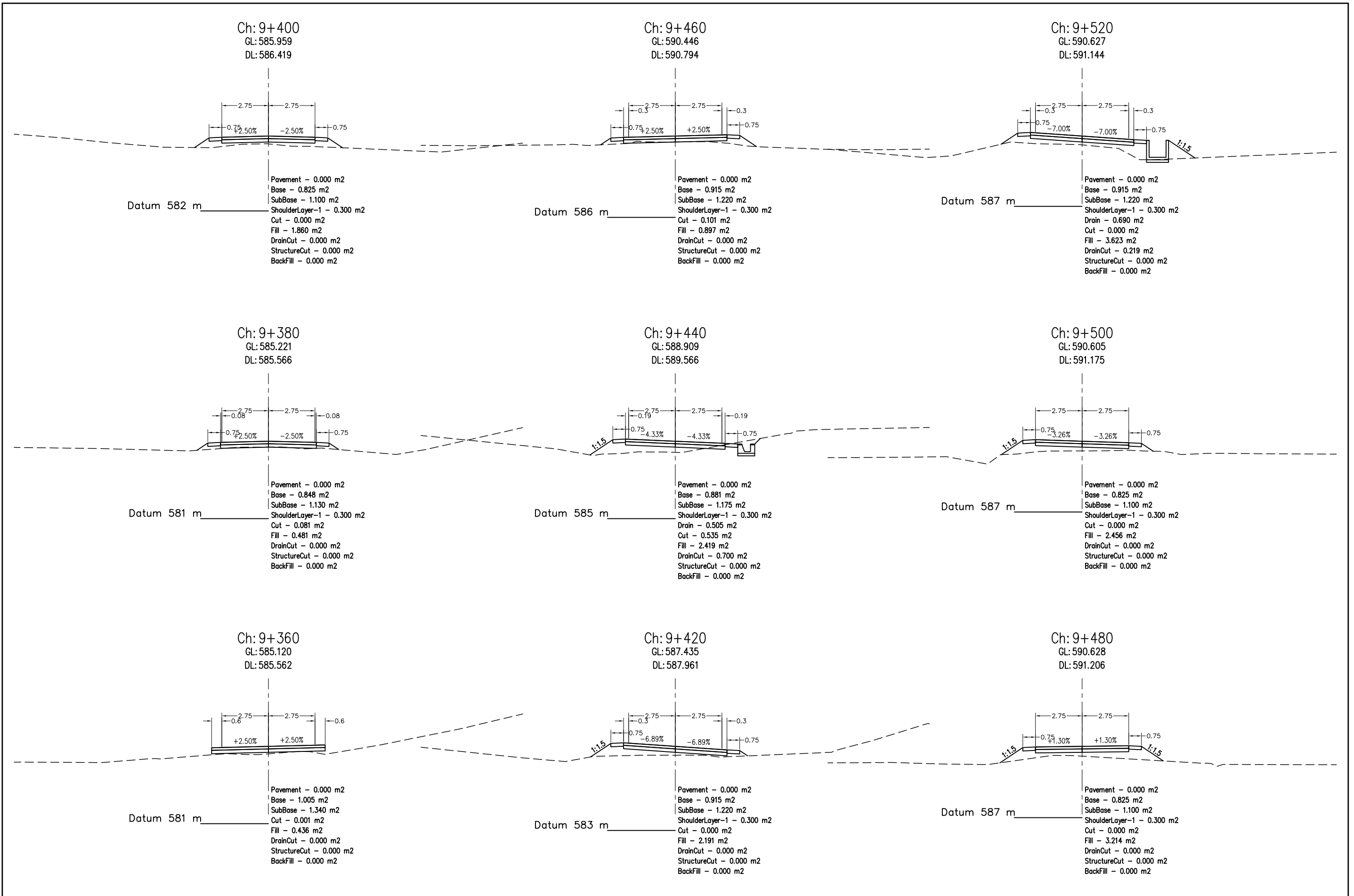
DATE
REVISION
SIGNATURE

DESIGNED BY :
DRAWN BY :
CHECKED BY :
APPROVED BY :

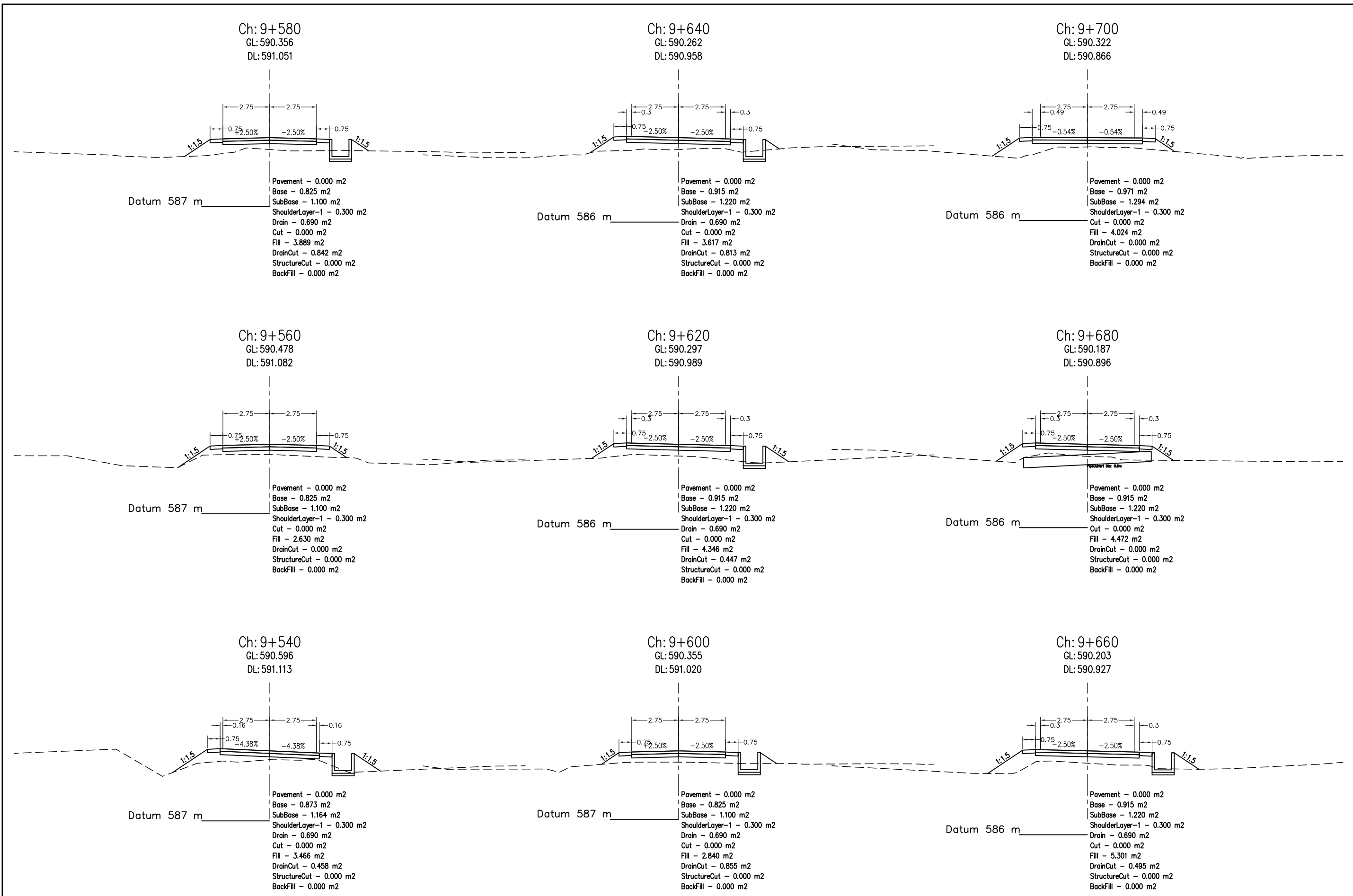


Cross-Section
9+180-9+340

DATE: March 2022
DRG NO : RCIP2/DNG/BBJ/CX
SHEET NO : 52



Government of Nepal Ministry of Federal Affairs and General Administration Department of Local Infrastructure (DoLI) Rural Connectivity Improvement Project-phase 2 (DoLI/RCIP/DPR-04/2019)	CONSULTANT: ITECO - INCLUSIVE JV Sitapaila Chowk, Ring Road	ROAD NAME : Bijauri-Basdabara-Jmuni-Laxmipur- Dakchin-Kurariya-Kanjawar-Kothari Road Dang District	DATE	REVISION	SIGNATURE	DESIGNED BY :	SCALE 	Cross-Section 9+360-9+520	DATE: March 2022
			CHECKED BY :	DRG NO :RCIP2/DNG/BBJ/CX					
			APPROVED BY :	SHEET NO :					
			53						



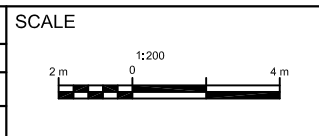
Government of Nepal
 Ministry of Federal Affairs and General Administration
 Department of Local Infrastructure (DoLI)
Rural Connectivity Improvement Project-phase 2
 (DoLI/RCIP/DPR-04/2019)

CONSULTANT:
ITECO - INCLUSIVE JV
 Sitapaila Chowk, Ring Road

ROAD NAME :
 Bijauri-Basdabara-Jmuni-Laxmipur-
 Dakchin-Kurariya-Kanjawar-Kothari
 Road
 Dang District

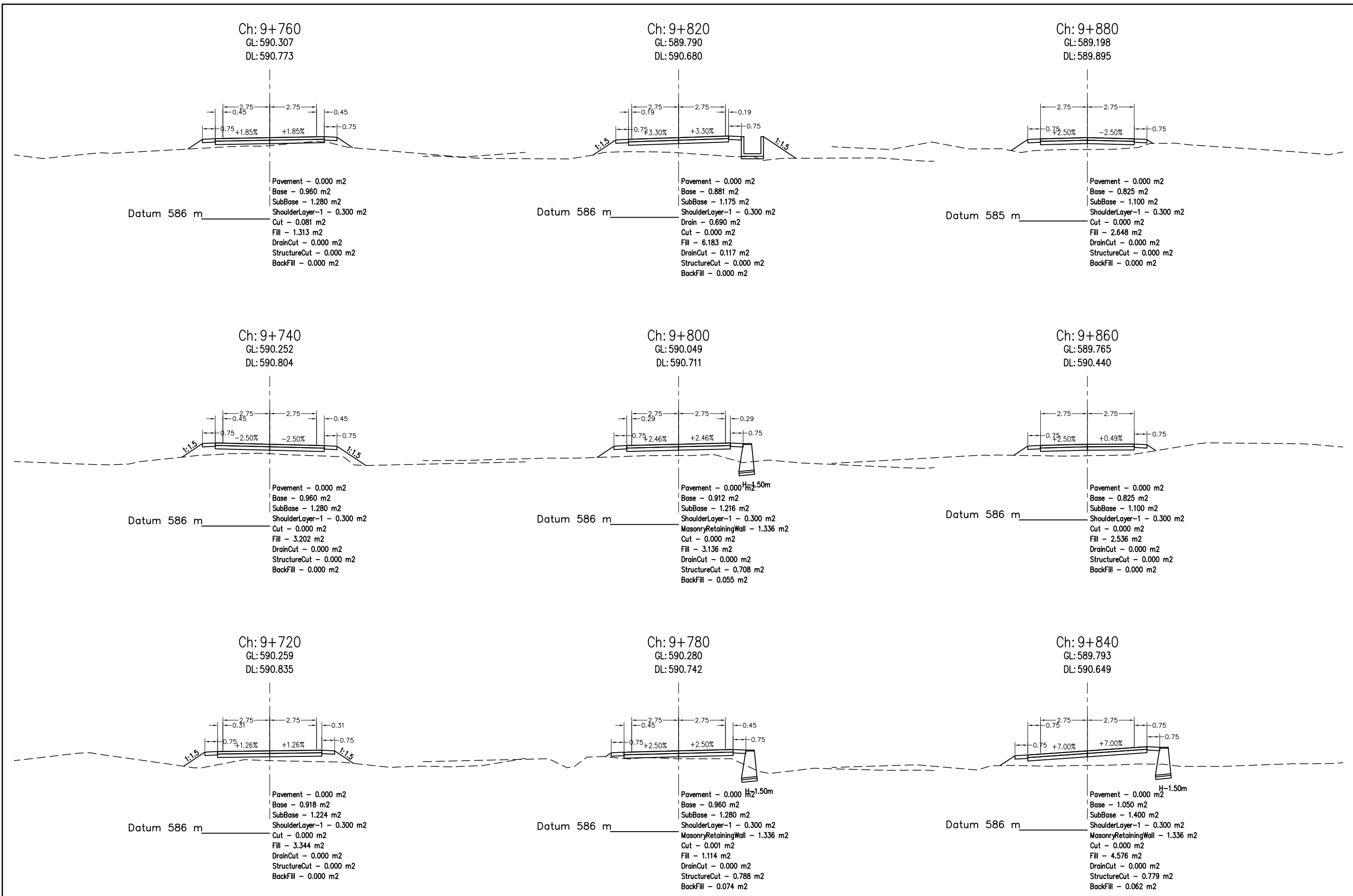
DATE
 REVISION
 SIGNATURE

DESIGNED BY :
 DRAWN BY :
 CHECKED BY :
 APPROVED BY :

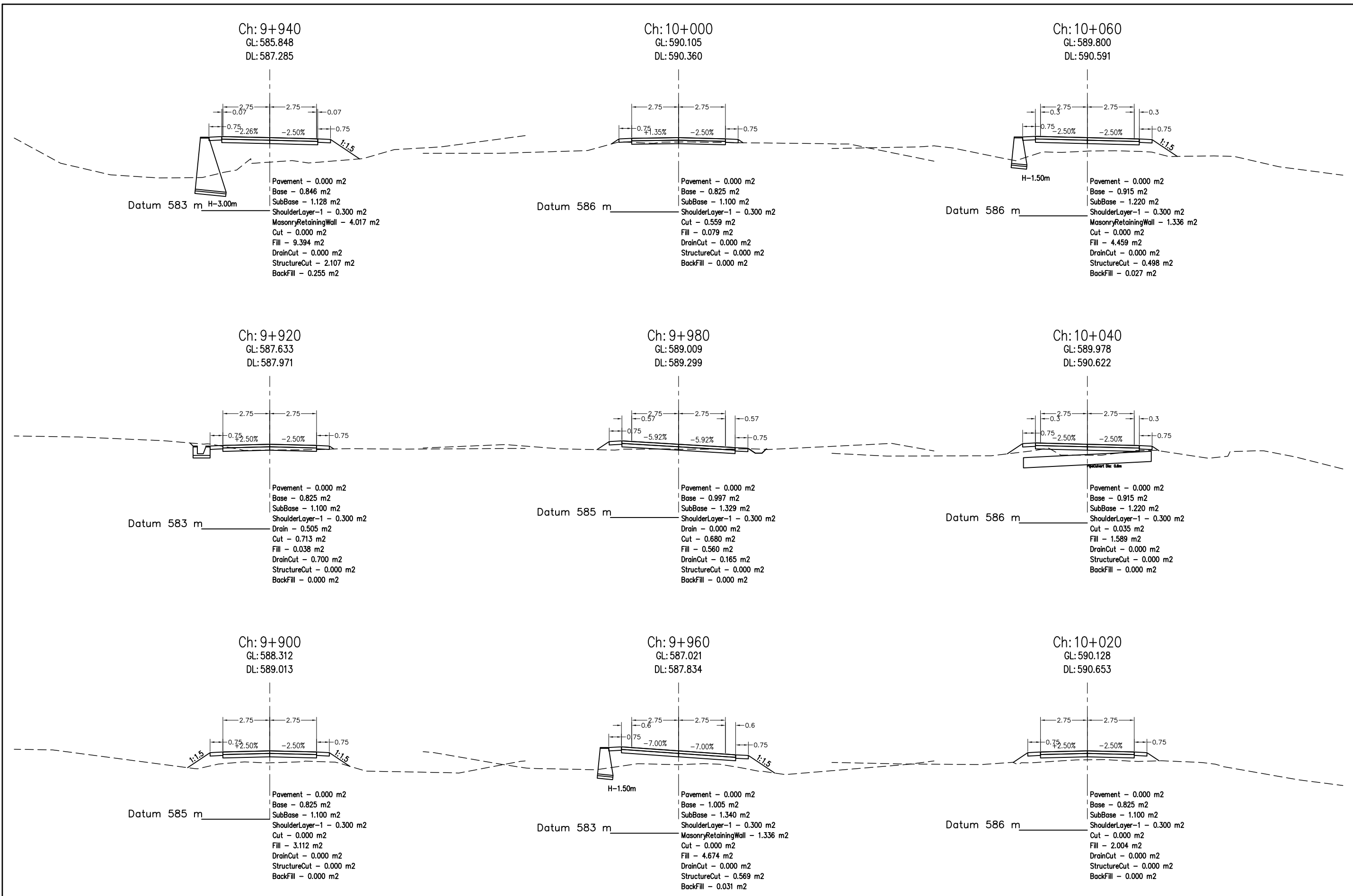


Cross-Section
9+540-9+700

DATE: March 2022
 DRG NO : RCIP2/DNG/BBJ/CX
 SHEET NO : **54**



Government of Nepal Ministry of Federal Affairs and General Administration Department of Local Infrastructure (DoLI) Rural Connectivity Improvement Project-phase 2 (DoLI/RCIP/DPR-04/2019)	CONSULTANT: ITECO - INCLUSIVE JV Sitapaila Chowk, Ring Road	ROAD NAME : Bijauri-Basdabara-Jmuni-Laxmipur- Dakchin-Kurariya-Kanjawar-Kothari Road Dang District	DATE	REVISION	SIGNATURE	DESIGNED BY :	SCALE 	Cross-Section 9+720-9+880	DATE: March 2022
						DRAWN BY :			DRG NO : RCIIP2/DNG/BBJ/CX
						CHECKED BY :			SHEET NO :
						APPROVED BY :			55



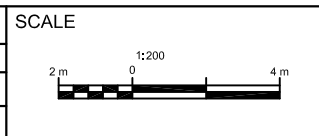
Government of Nepal
 Ministry of Federal Affairs and General Administration
 Department of Local Infrastructure (DoLI)
Rural Connectivity Improvement Project-phase 2
 (DoLI/RCIP/DPR-04/2019)

CONSULTANT:
ITECO - INCLUSIVE JV
 Sitapaila Chowk, Ring Road

ROAD NAME :
 Bijauri-Basdabara-Jmuni-Laxmipur-
 Dakchin-Kurariya-Kanjawar-Kothari
 Road
 Dang District

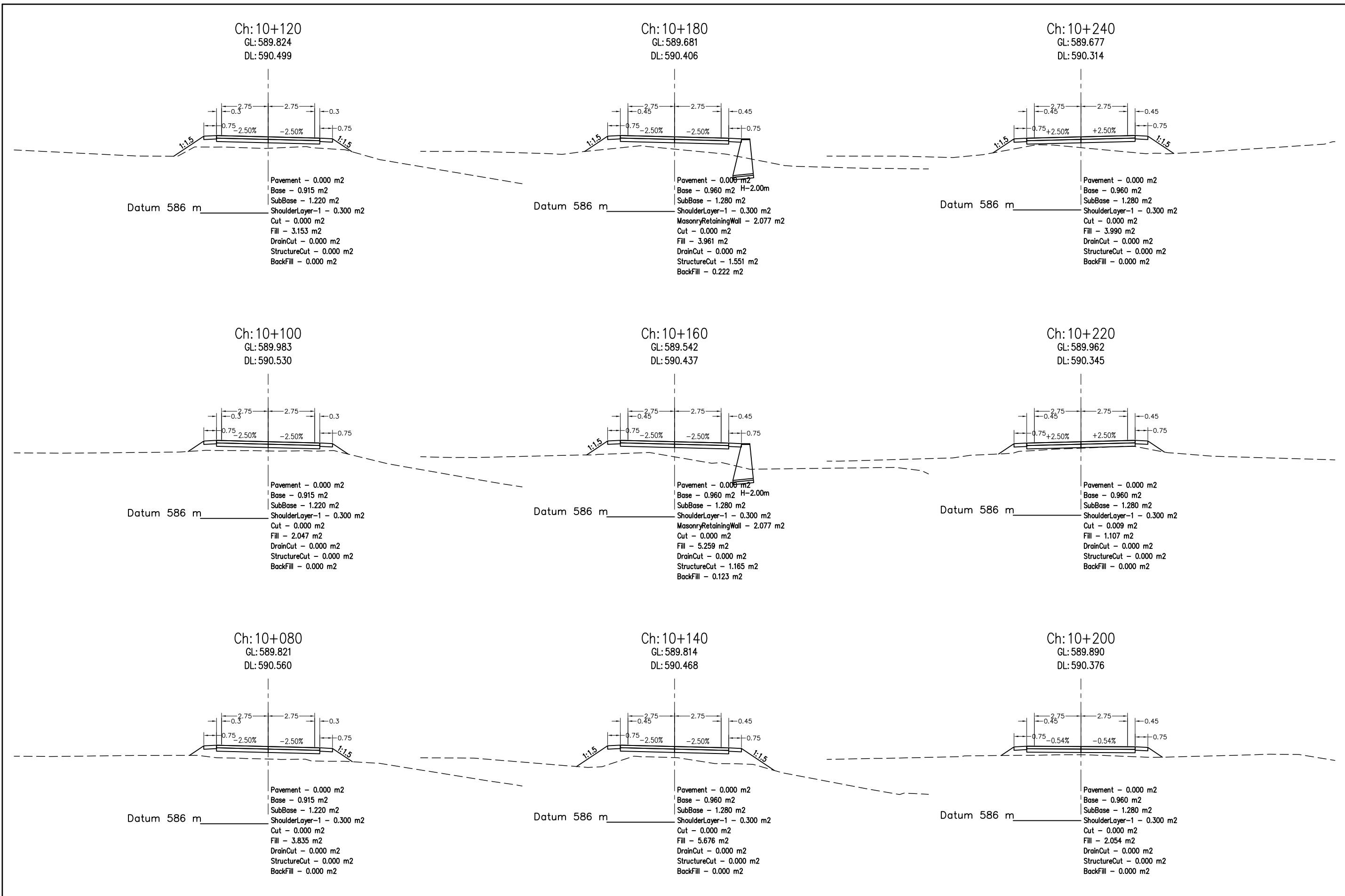
DATE
 REVISION
 SIGNATURE

DESIGNED BY :
 DRAWN BY :
 CHECKED BY :
 APPROVED BY :



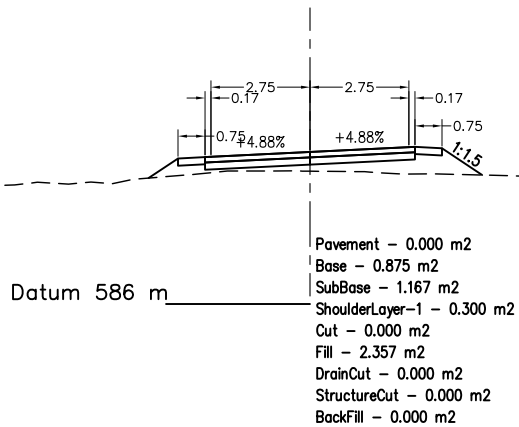
Cross-Section
9+900-10+060

DATE: March 2022
 DRG NO : RCIP2/DNG/BBJ/CX
 SHEET NO : **56**

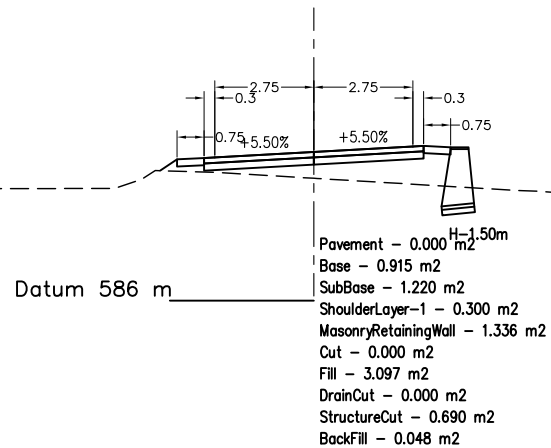


Government of Nepal Ministry of Federal Affairs and General Administration Department of Local Infrastructure (DoLI) Rural Connectivity Improvement Project-phase 2 (DoLI/RCIP/DPR-04/2019)	CONSULTANT: ITECO - INCLUSIVE JV Sitapaila Chowk, Ring Road	ROAD NAME : Bijauri-Basdabara-Jmuni-Laxmipur- Dakchin-Kurariya-Kanjawar-Kothari Road Dang District	DATE	REVISION	SIGNATURE	DESIGNED BY :	SCALE 	Cross-Section 10+080-10+240	DATE: March 2022
						DRAWN BY :			DRG NO : RCI/2/DNG/BBJ/CX
						CHECKED BY :			SHEET NO :
						APPROVED BY :			57

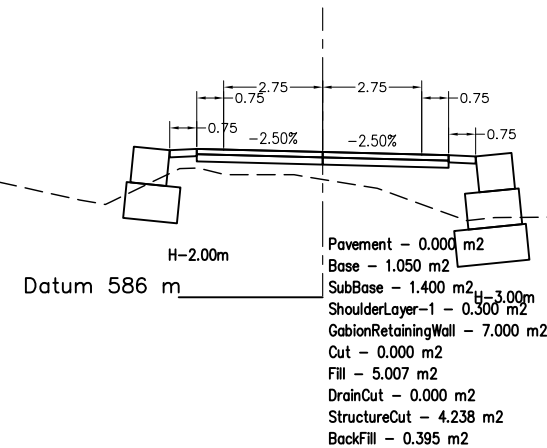
Ch: 10+300
GL: 589.689
DL: 590.222



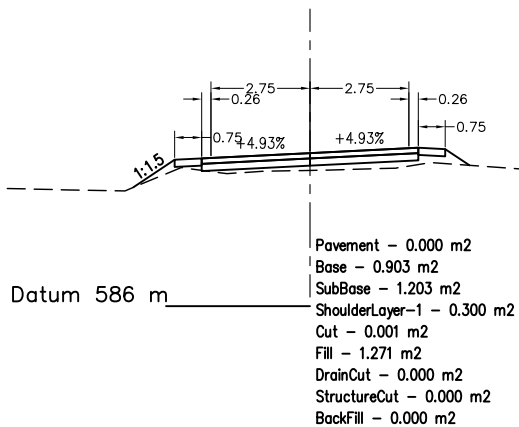
Ch: 10+360
GL: 589.399
DL: 590.129



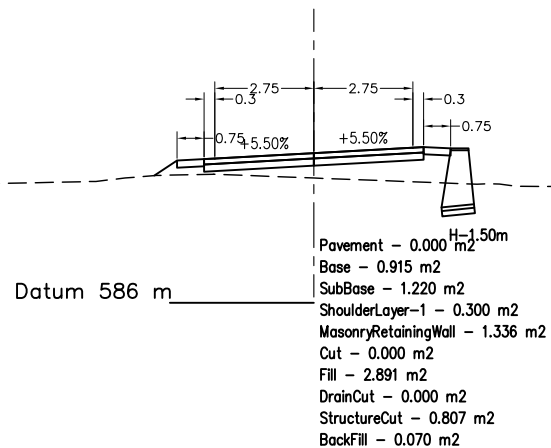
Ch: 10+420
GL: 589.275
DL: 590.037



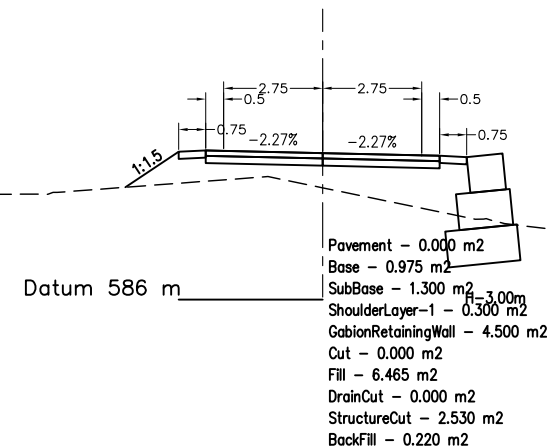
Ch: 10+280
GL: 589.772
DL: 590.253



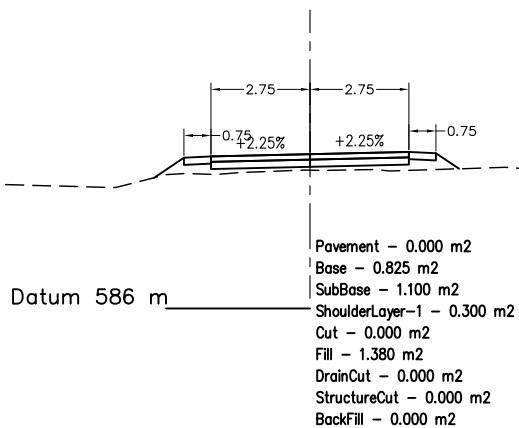
Ch: 10+340
GL: 589.468
DL: 590.160



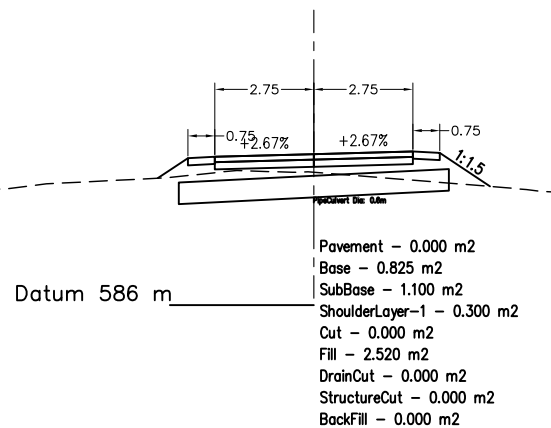
Ch: 10+400
GL: 589.102
DL: 590.068



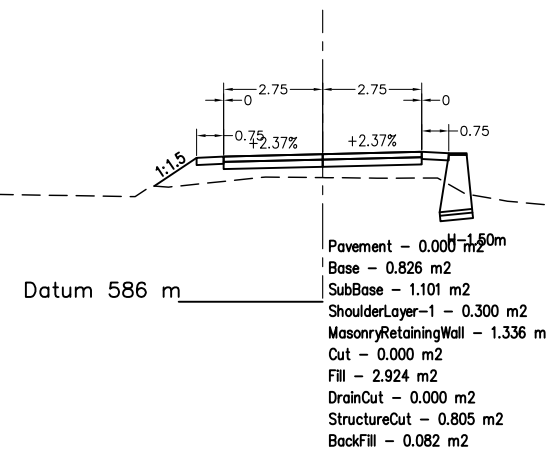
Ch: 10+260
GL: 589.838
DL: 590.283



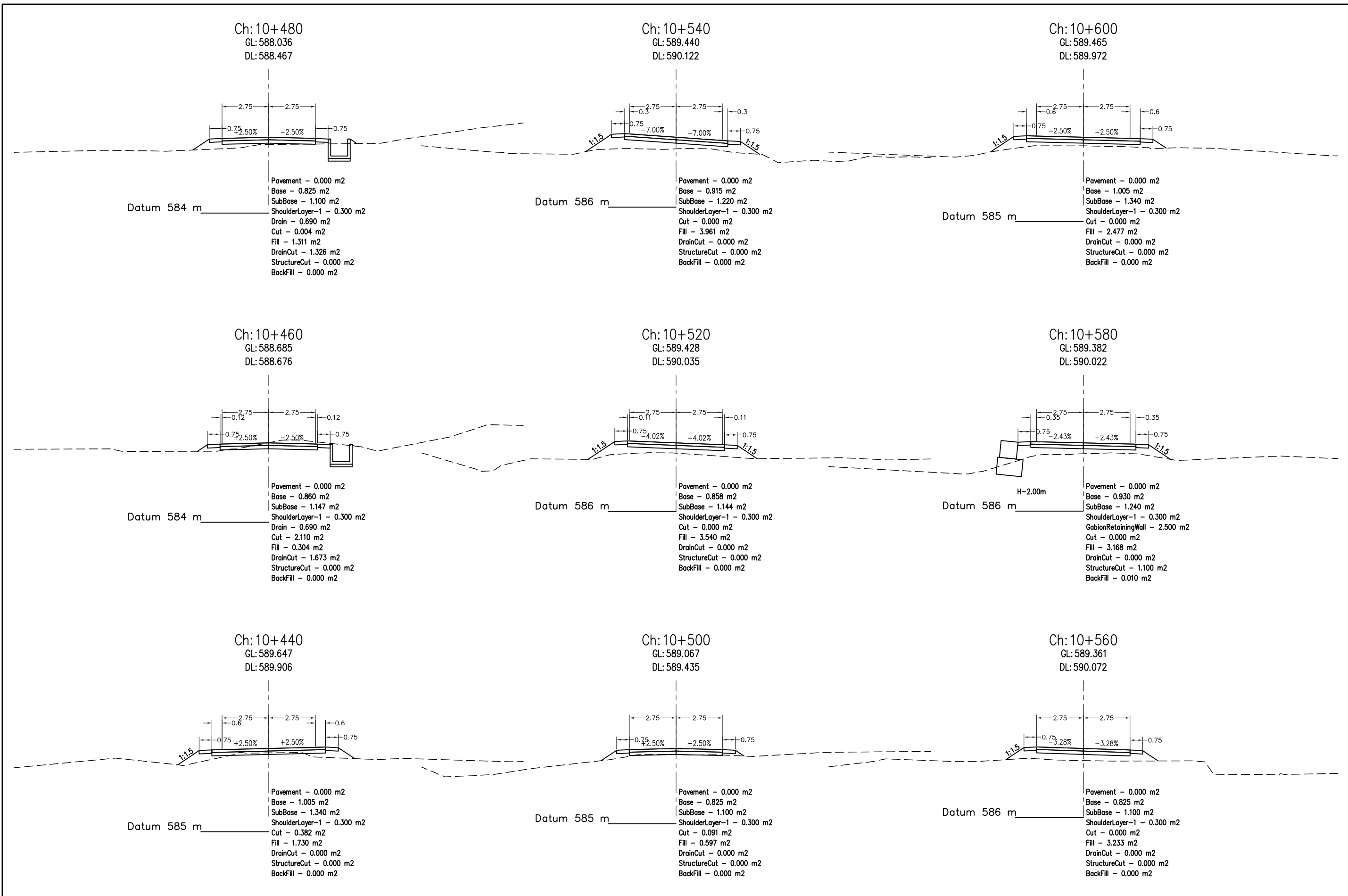
Ch: 10+320
GL: 589.688
DL: 590.191



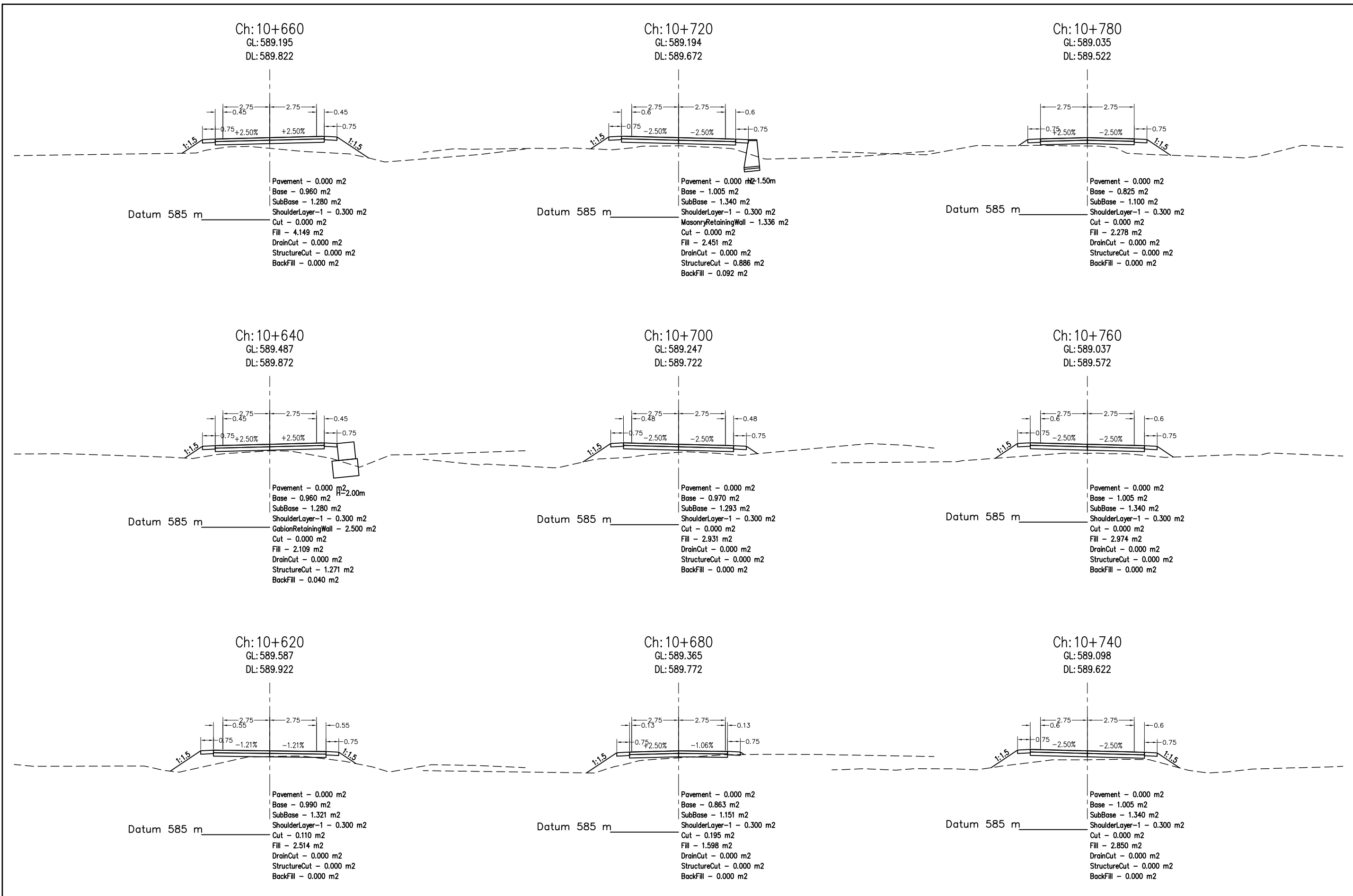
Ch: 10+380
GL: 589.448
DL: 590.099



Government of Nepal Ministry of Federal Affairs and General Administration Department of Local Infrastructure (DoLI) Rural Connectivity Improvement Project-phase 2 (DoLI/RCIP/DPR-04/2019)	CONSULTANT:	ROAD NAME :	DATE	REVISION	SIGNATURE	DESIGNED BY :	SCALE 	Cross-Section 10+260-10+420	DATE: March 2022
	ITECO - INCLUSIVE JV Sitapaila Chowk, Ring Road	Bijauri-Basdabara-Jmuni-Laxmipur-Dakchin-Kurariya-Kanjawar-Kothari Road Dang District				DRAWN BY :			DRG NO : RCIP2/DNG/BBJ/CX
						CHECKED BY :			SHEET NO :
						APPROVED BY :			58



Government of Nepal Ministry of Federal Affairs and General Administration Department of Local Infrastructure (DoLI) Rural Connectivity Improvement Project-phase 2 (DoLI/RCIP/DPR-04/2019)	CONSULTANT: ITECO - INCLUSIVE JV Sitapaila Chowk, Ring Road	ROAD NAME : Bijauri-Basdabara-Jmuni-Laxmipur- Dakchin-Kurariya-Kanjawar-Kothari Road Dang District	DATE	REVISION	SIGNATURE	DESIGNED BY :	SCALE 	Cross-Section 10+440-10+600	DATE: March 2022
			CHECKED BY :	DRG NO : RCIIP2/DNG/BBJ/CX					
			APPROVED BY :	SHEET NO :					
			59						



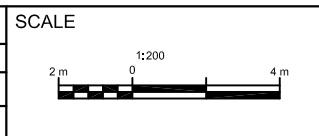
Government of Nepal
 Ministry of Federal Affairs and General Administration
 Department of Local Infrastructure (DoLI)
Rural Connectivity Improvement Project-phase 2
 (DoLI/RCIP/DPR-04/2019)

CONSULTANT:
ITECO - INCLUSIVE JV
 Sitapaila Chowk, Ring Road

ROAD NAME :
 Bijauri-Basdabara-Jmuni-Laxmipur-
 Dakchin-Kurariya-Kanjawar-Kothari
 Road
 Dang District

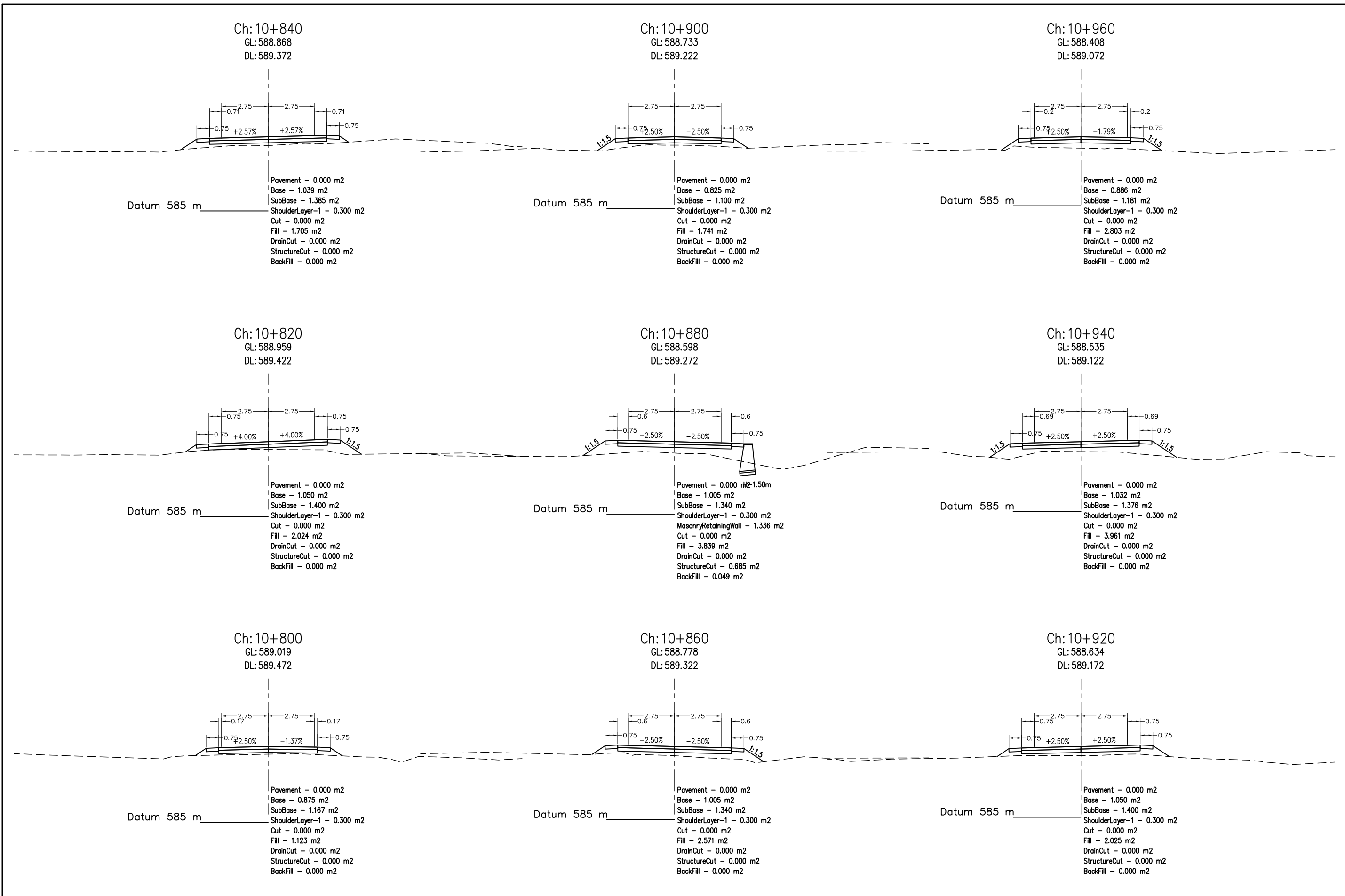
DATE
 REVISION
 SIGNATURE

DESIGNED BY :
 DRAWN BY :
 CHECKED BY :
 APPROVED BY :

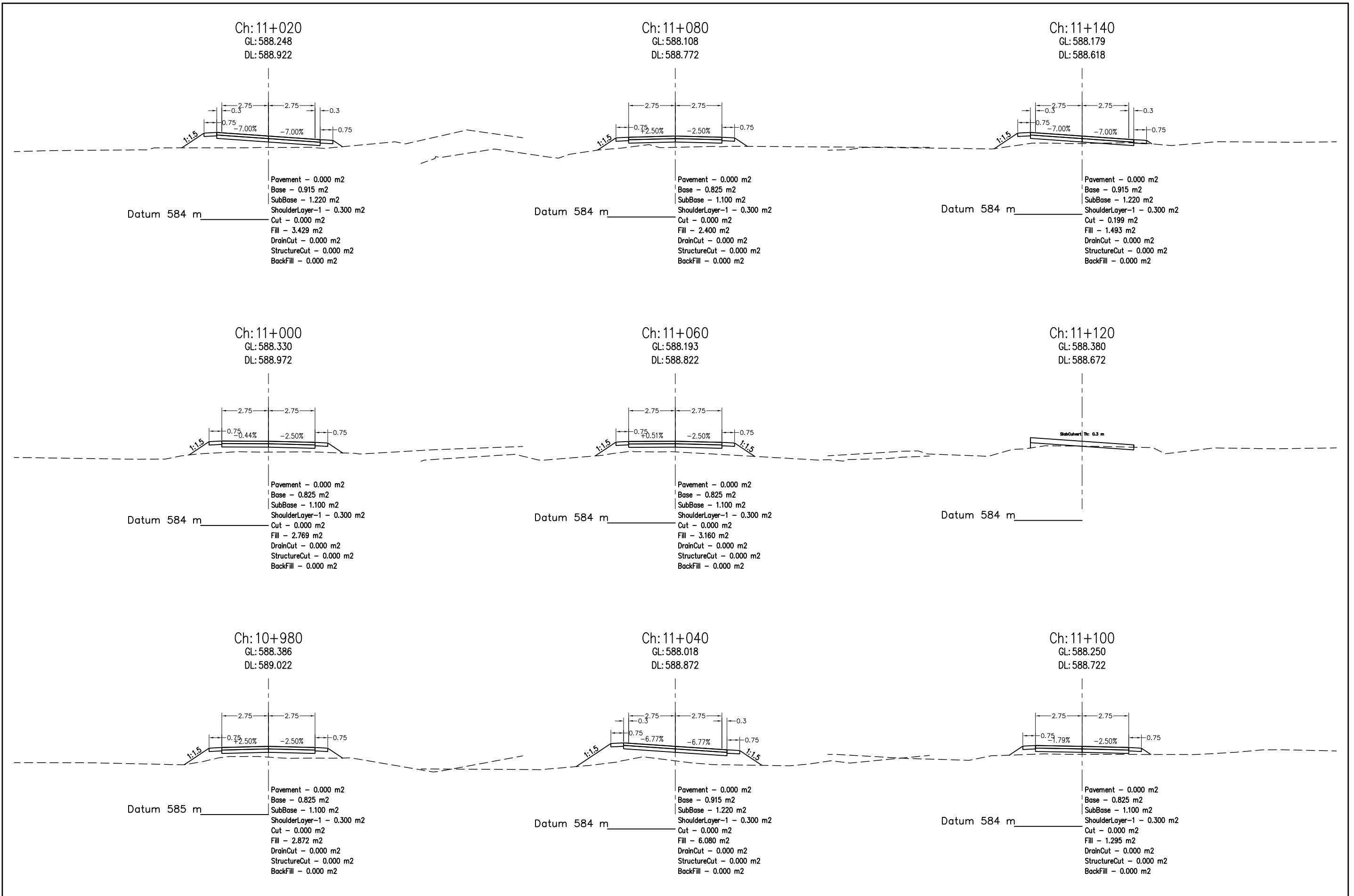


Cross-Section
 10+620-10+780

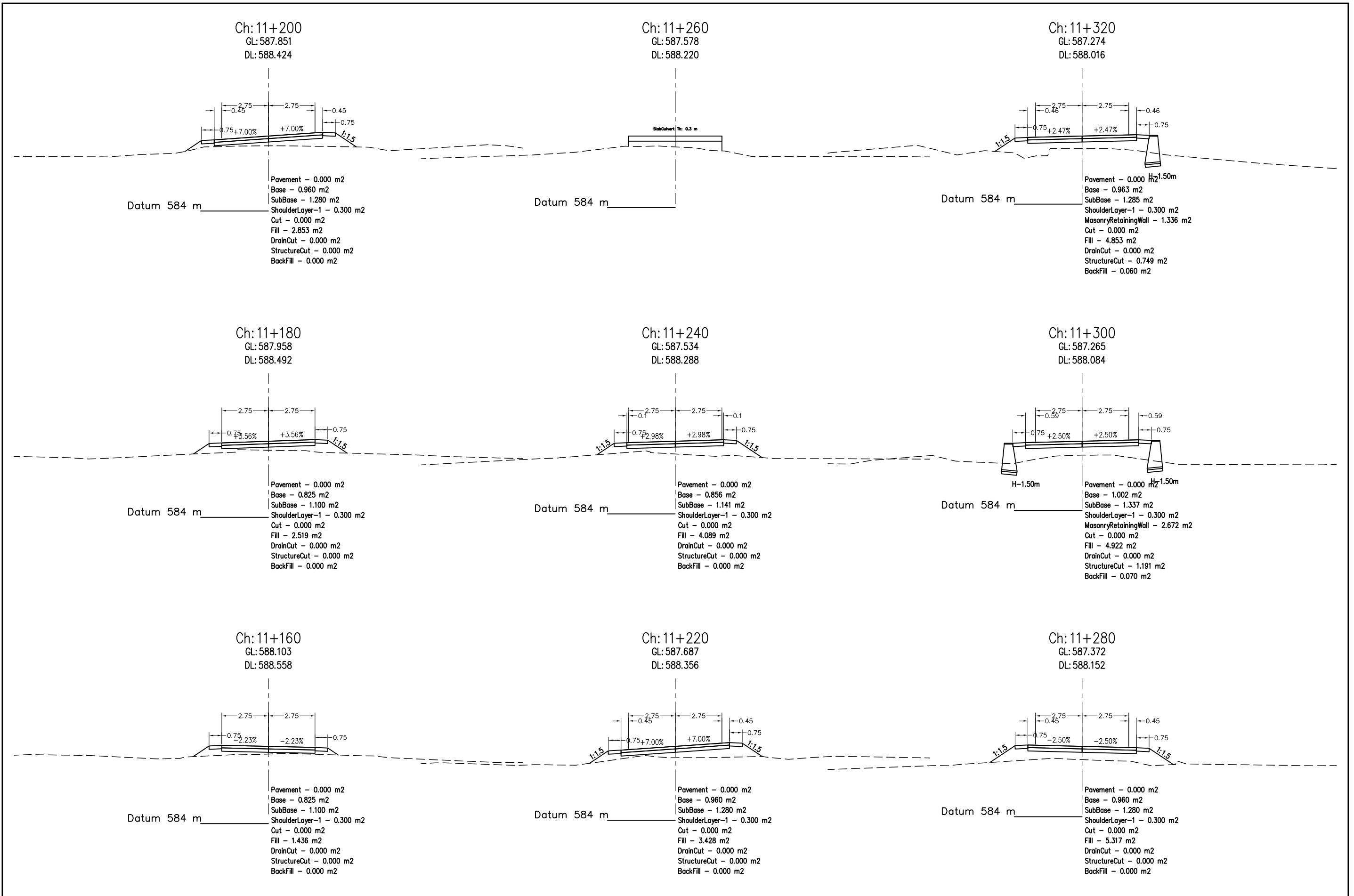
DATE: March 2022
 DRG NO : RCIP2/DNG/BBJ/CX
 SHEET NO : **60**



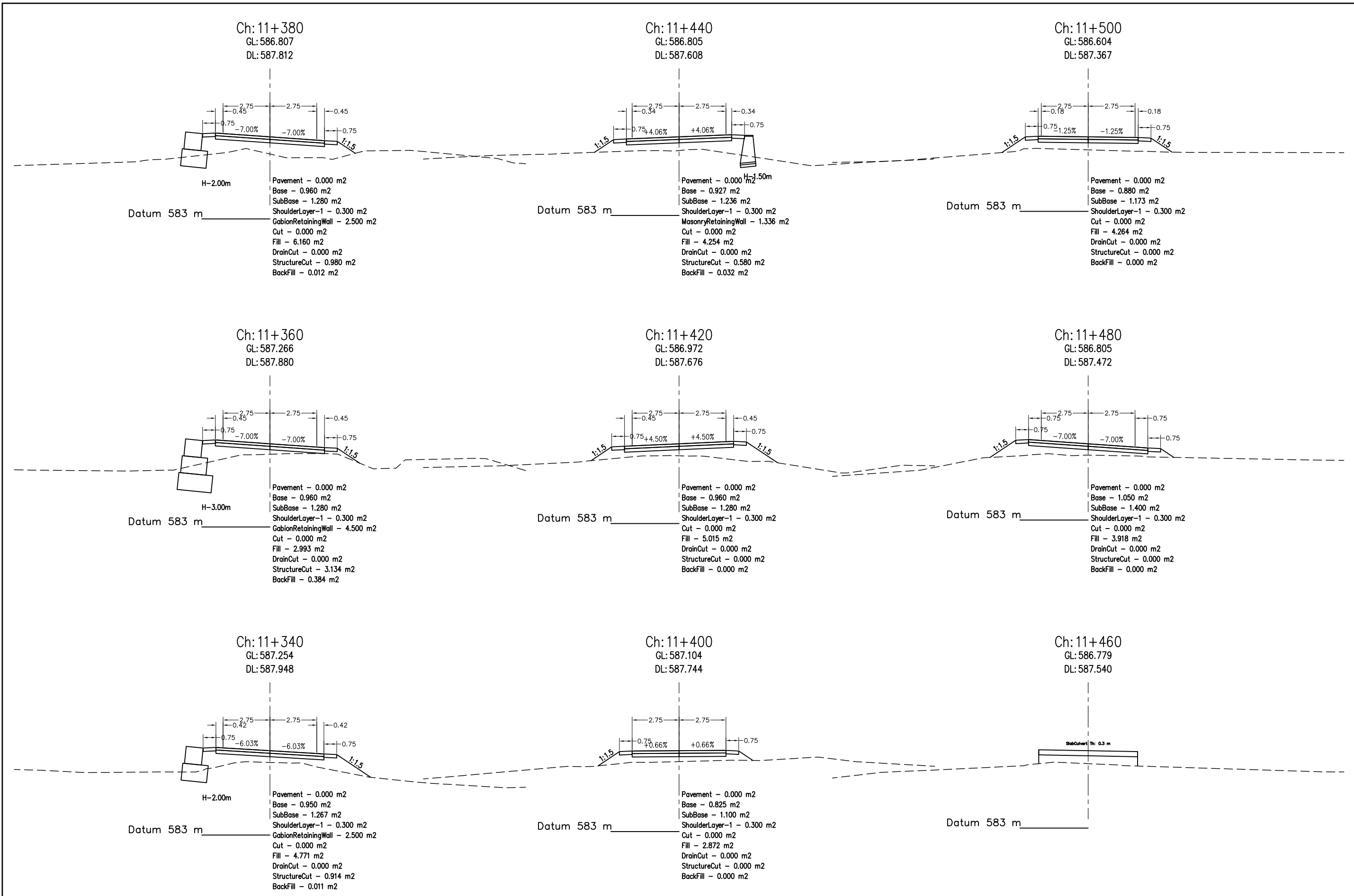
Government of Nepal Ministry of Federal Affairs and General Administration Department of Local Infrastructure (DoLI) Rural Connectivity Improvement Project-phase 2 (DoLI/RCIP/DPR-04/2019)	CONSULTANT:	ROAD NAME :	DATE	REVISION	SIGNATURE	DESIGNED BY :	SCALE 	Cross-Section 10+800-10+960	DATE: March 2022
	ITECO - INCLUSIVE JV	Bijauri-Basdabara-Jmuni-Laxmipur-Dakchin-Kurariya-Kanjawar-Kothari Road				DRAWN BY :			DRG NO : RCIP2/DNG/BBJ/CX
	Sitapaila Chowk, Ring Road	Dang District				CHECKED BY :			SHEET NO :
						APPROVED BY :			61



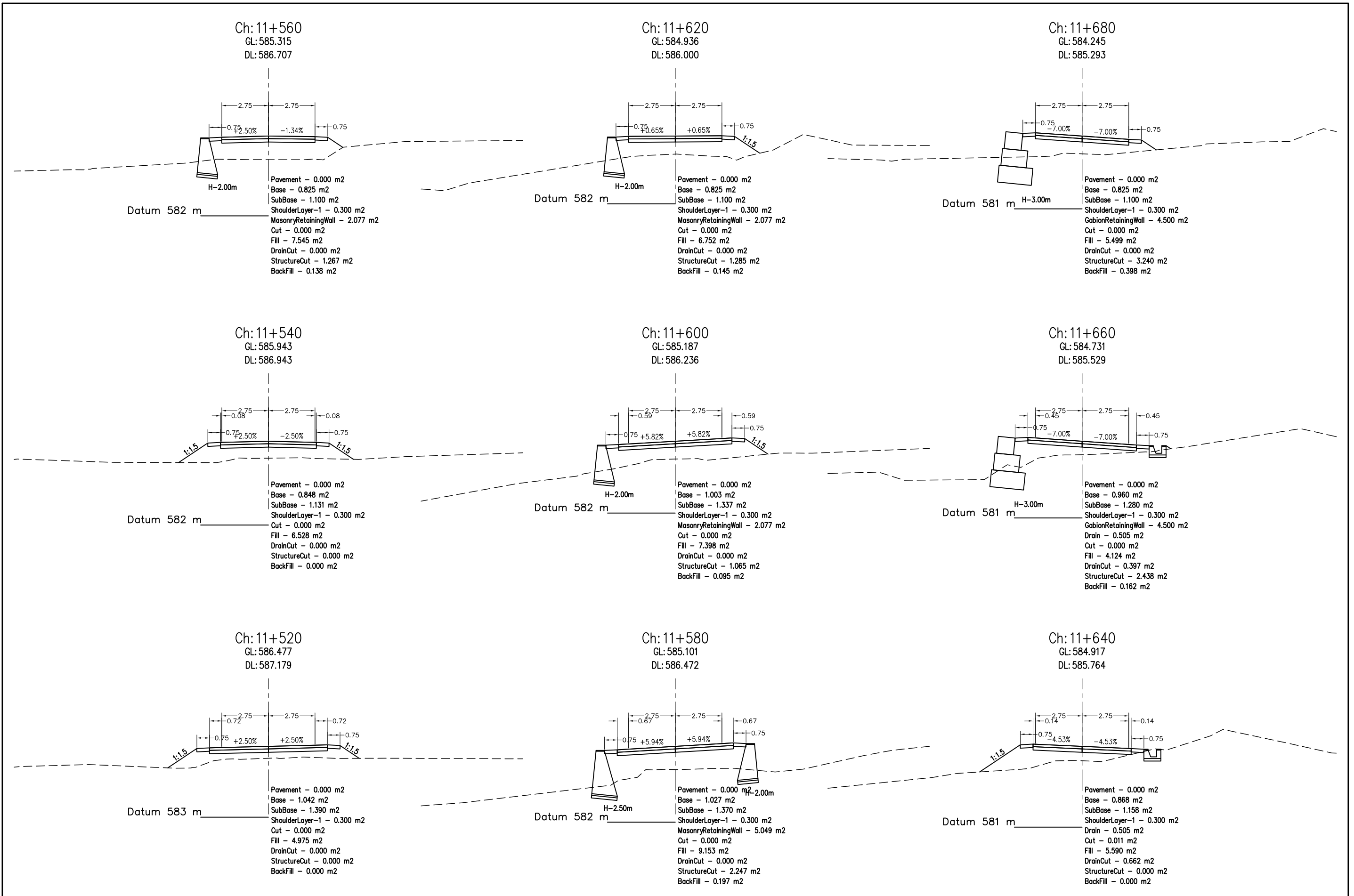
Government of Nepal Ministry of Federal Affairs and General Administration Department of Local Infrastructure (DoLI) Rural Connectivity Improvement Project-phase 2 (DoLI/RCIP/DPR-04/2019)	CONSULTANT:	ROAD NAME :	DATE	REVISION	SIGNATURE	DESIGNED BY :	SCALE 	Cross-Section 10+980-11+140	DATE: March 2022
	ITECO - INCLUSIVE JV	Bijauri-Basdabara-Jmuni-Laxmipur-Dakchin-Kurariya-Kanjawar-Kothari Road				DRAWN BY :			DRG NO :RCIP2/DNG/BBJ/CX
	Sitapaila Chowk, Ring Road	Dang District				CHECKED BY :			SHEET NO :
						APPROVED BY :			62



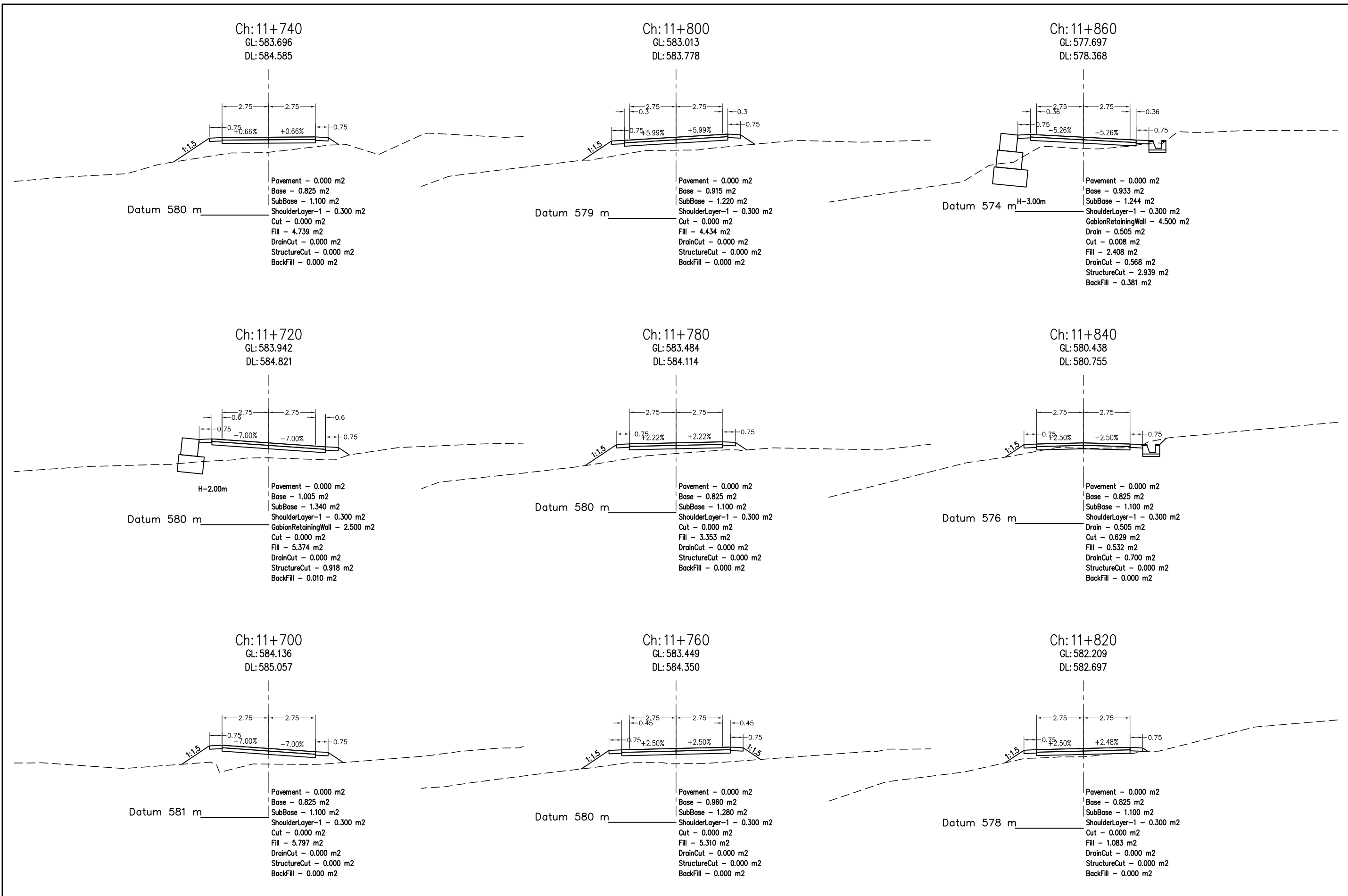
Government of Nepal Ministry of Federal Affairs and General Administration Department of Local Infrastructure (DoLI) Rural Connectivity Improvement Project-phase 2 (DoLI/RCIP/DPR-04/2019)	CONSULTANT: ITECO - INCLUSIVE JV Sitapaila Chowk, Ring Road	ROAD NAME : Bijauri-Basdabara-Jmuni-Laxmipur- Dakchin-Kurariya-Kanjawar-Kothari Road Dang District	DATE	REVISION	SIGNATURE	DESIGNED BY :	SCALE 	Cross-Section 11+160-11+320	DATE: March 2022
			CHECKED BY :	DRG NO : RCIP2/DNG/BBJ/CX					
			APPROVED BY :	SHEET NO :					
			63						



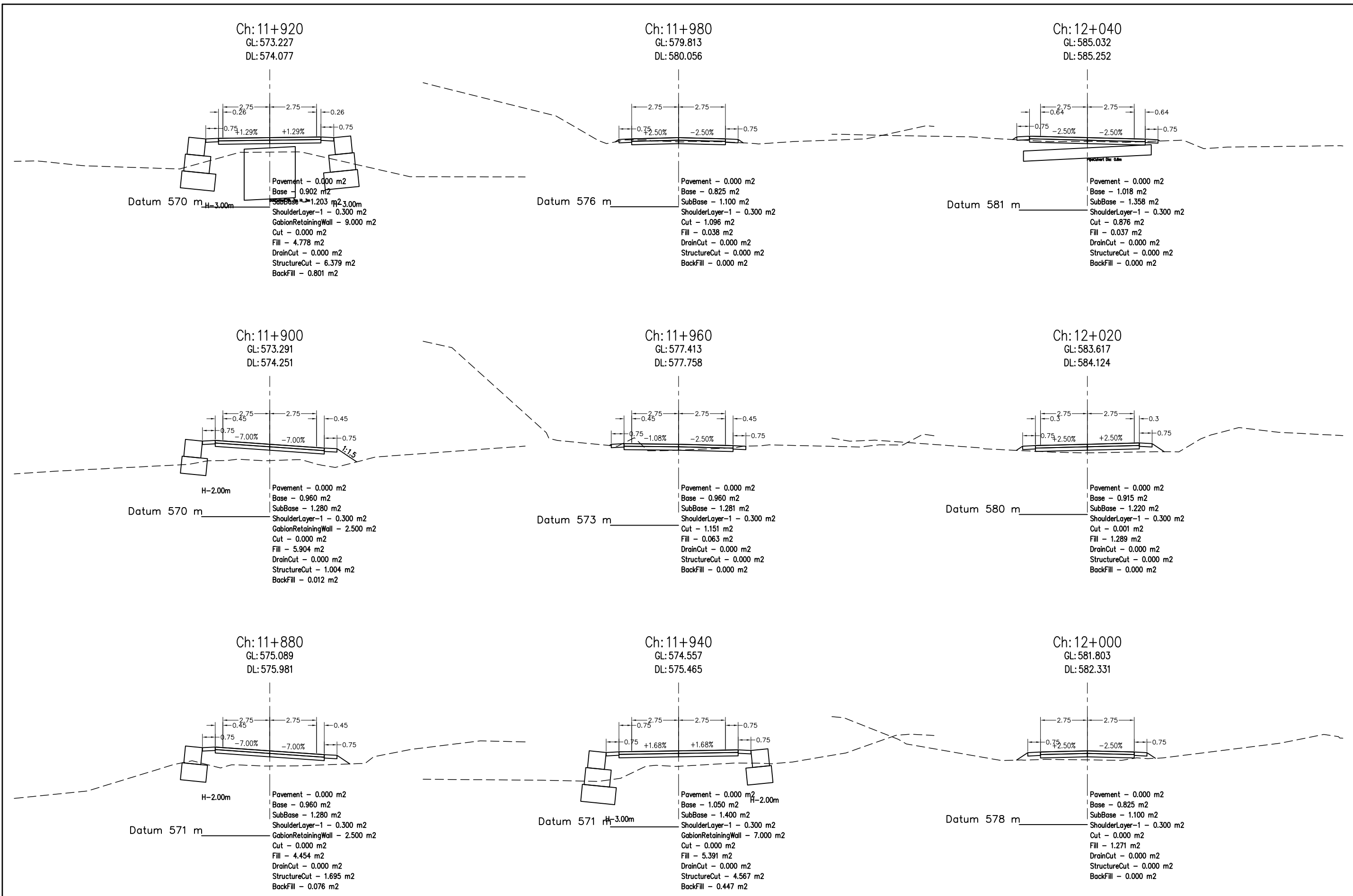
Government of Nepal Ministry of Federal Affairs and General Administration Department of Local Infrastructure (DoLI) Rural Connectivity Improvement Project-phase 2 (DoLI/RCIP/DPR-04/2019)	CONSULTANT:	ROAD NAME :	DATE	REVISION	SIGNATURE	DESIGNED BY :	SCALE 	Cross-Section 11+340-11+500	DATE: March 2022
	ITECO - INCLUSIVE JV Sitapaila Chowk, Ring Road	Bijauri-Basdabara-Jmuni-Laxmipur-Dakchin-Kurariya-Kanjawar-Kothari Road Dang District				DRAWN BY :			DRG NO : RCIIP2/DNG/BBJ/CX
						CHECKED BY :			SHEET NO : 64
						APPROVED BY :			



Government of Nepal Ministry of Federal Affairs and General Administration Department of Local Infrastructure (DoLI) Rural Connectivity Improvement Project-phase 2 (DoLI/RCIP/DPR-04/2019)	CONSULTANT: ITECO - INCLUSIVE JV Sitapaila Chowk, Ring Road	ROAD NAME : Bijauri-Basdabara-Jmuni-Laxmipur- Dakchin-Kurariya-Kanjawar-Kothari Road Dang District	DATE	REVISION	SIGNATURE	DESIGNED BY :	SCALE 	Cross-Section 11+520-11+680	DATE: March 2022
						DRAWN BY :			DRG NO : RCI/P2/DNG/BBJ/CX
						CHECKED BY :			SHEET NO :
						APPROVED BY :			65



Government of Nepal Ministry of Federal Affairs and General Administration Department of Local Infrastructure (DoLI) Rural Connectivity Improvement Project-phase 2 (DoLI/RCIP/DPR-04/2019)	CONSULTANT: ITECO - INCLUSIVE JV Sitapaila Chowk, Ring Road	ROAD NAME : Bijauri-Basdabara-Jmuni-Laxmipur- Dakchin-Kurariya-Kanjawar-Kothari Road Dang District	DATE	REVISION	SIGNATURE	DESIGNED BY :	SCALE 	Cross-Section 11+700-11+860	DATE: March 2022
			CHECKED BY :	DRG NO : RCIIP2/DNG/BBJ/CX					
			APPROVED BY :	SHEET NO :					
			66						



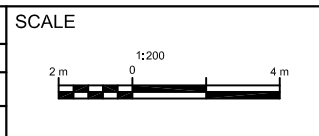
Government of Nepal
 Ministry of Federal Affairs and General Administration
 Department of Local Infrastructure (DoLI)
 Rural Connectivity Improvement Project-phase 2
 (DoLI/RCIP/DPR-04/2019)

CONSULTANT:
ITECO - INCLUSIVE JV
 Sitapaila Chowk, Ring Road

ROAD NAME :
 Bijauri-Basdabara-Jmuni-Laxmipur-
 Dakchin-Kurariya-Kanjawar-Kothari
 Road
 Dang District

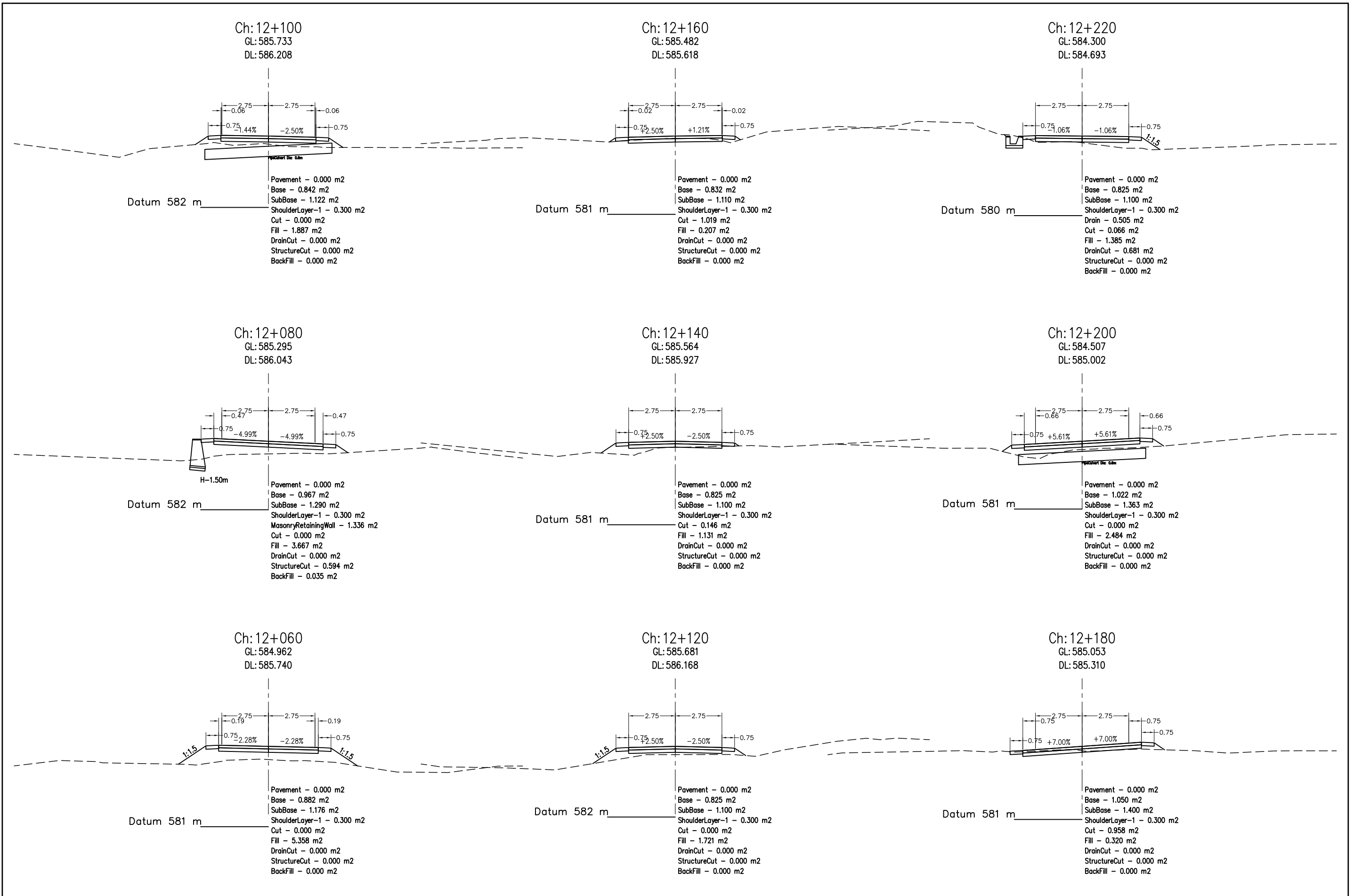
DATE
 REVISION
 SIGNATURE

DESIGNED BY :
 DRAWN BY :
 CHECKED BY :
 APPROVED BY :

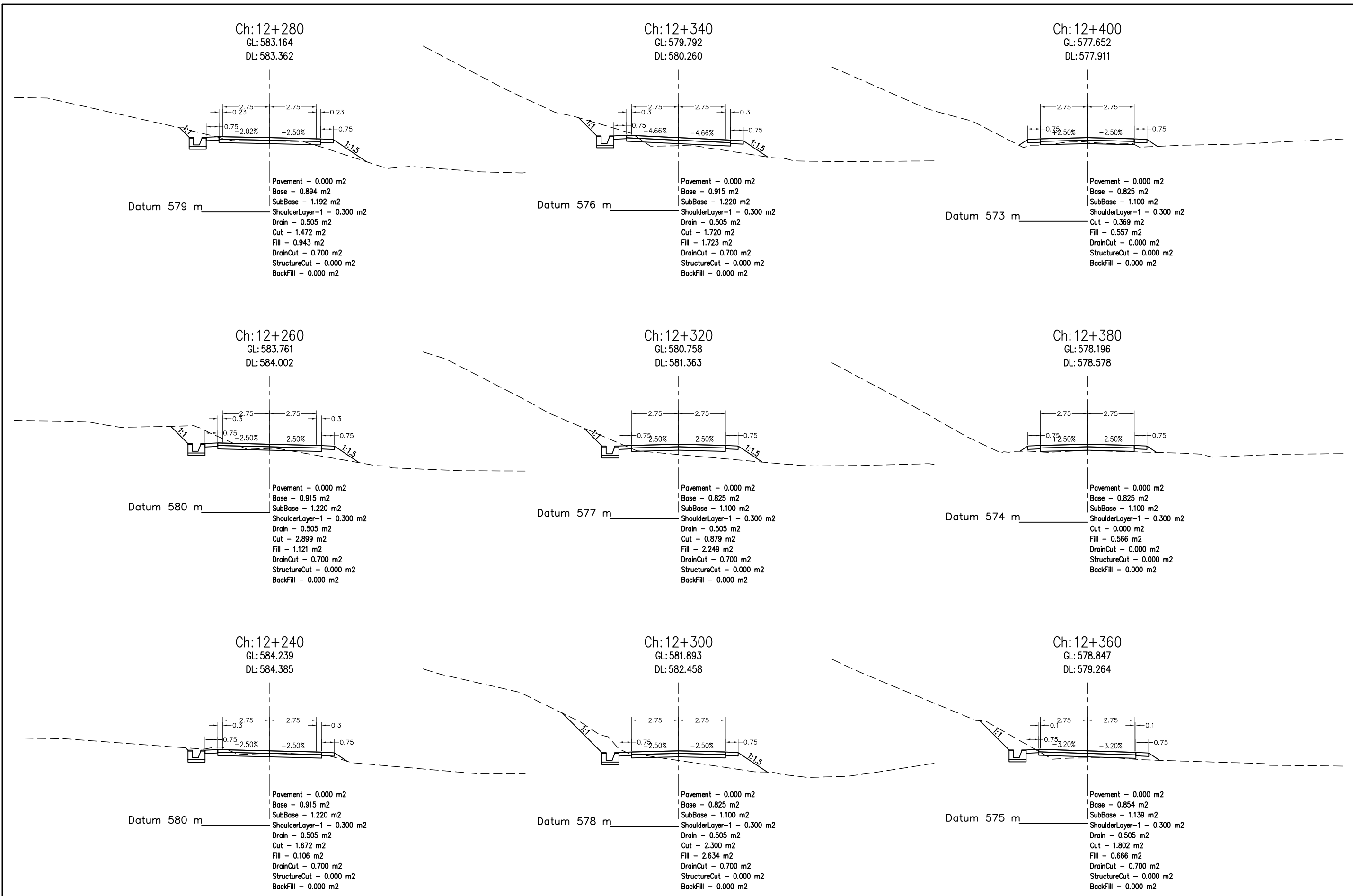


Cross-Section
 11+880-12+040

DATE: March 2022
 DRG NO : RCIIP2/DNG/BBJ/CX
 SHEET NO : 67



Government of Nepal Ministry of Federal Affairs and General Administration Department of Local Infrastructure (DoLI) Rural Connectivity Improvement Project-phase 2 (DoLI/RCIP/DPR-04/2019)	CONSULTANT: ITECO - INCLUSIVE JV Sitapaila Chowk, Ring Road	ROAD NAME : Bijauri-Basdabara-Jmuni-Laxmipur- Dakchin-Kurariya-Kanjawar-Kothari Road Dang District	DATE	REVISION	SIGNATURE	DESIGNED BY :	SCALE 	Cross-Section 12+060-12+220	DATE: March 2022
			CHECKED BY :	DRG NO : RCI/2/DNG/BBJ/CX					
			APPROVED BY :	SHEET NO :					
			68						

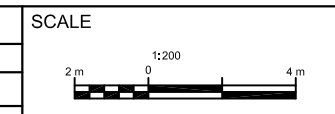


Government of Nepal
 Ministry of Federal Affairs and General Administration
 Department of Local Infrastructure (DoLI)
 Rural Connectivity Improvement Project-phase 2
 (DoLI/RCIP/DPR-04/2019)

CONSULTANT:
ITECO - INCLUSIVE JV
 Sitapaila Chowk, Ring Road

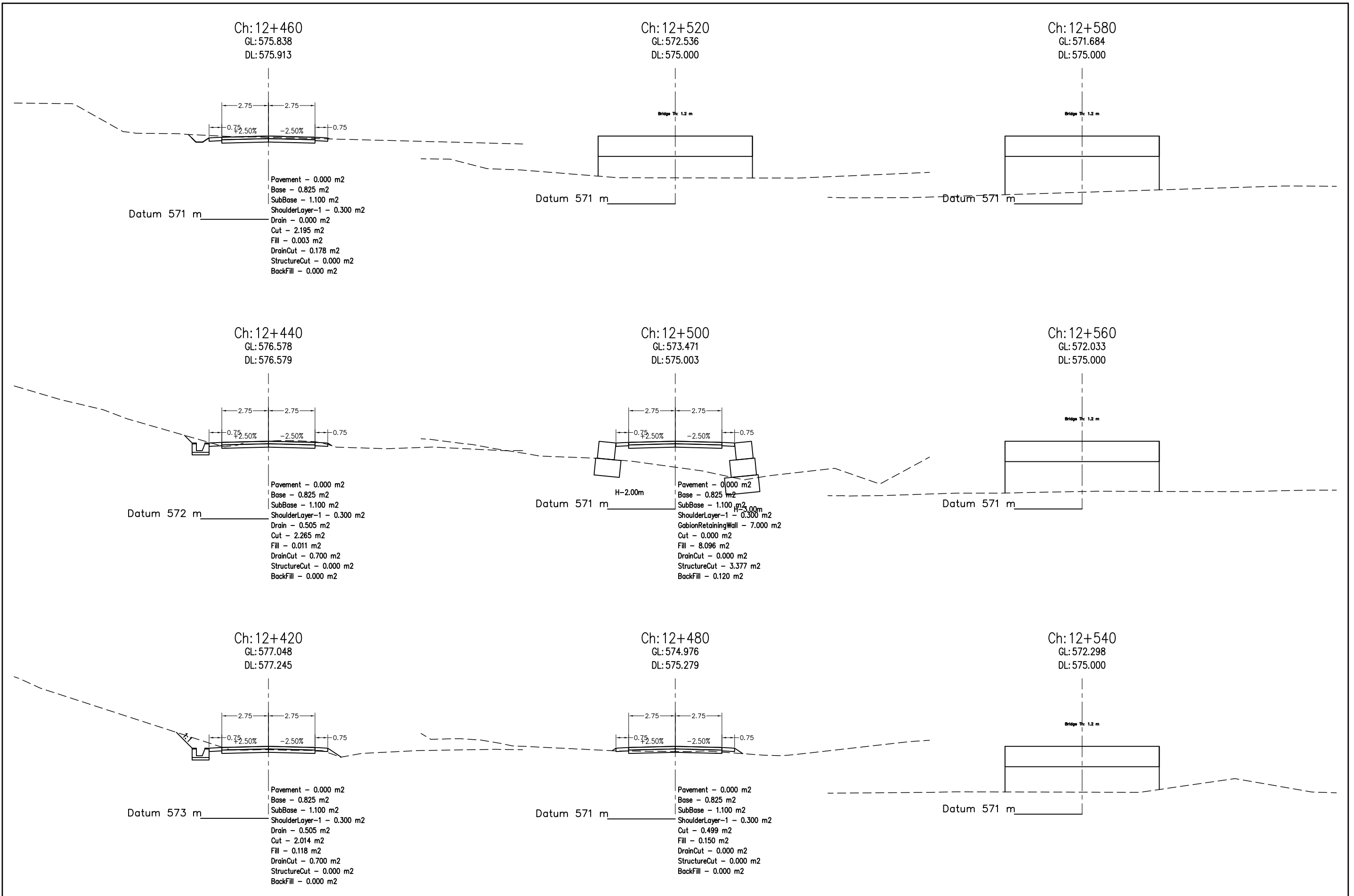
ROAD NAME :
 Bijauri-Basdabara-Jmuni-Laxmipur-
 Dakchin-Kurariya-Kanjawar-Kothari
 Road
 Dang District

DATE
 REVISION
 SIGNATURE
 DESIGNED BY :
 DRAWN BY :
 CHECKED BY :
 APPROVED BY :

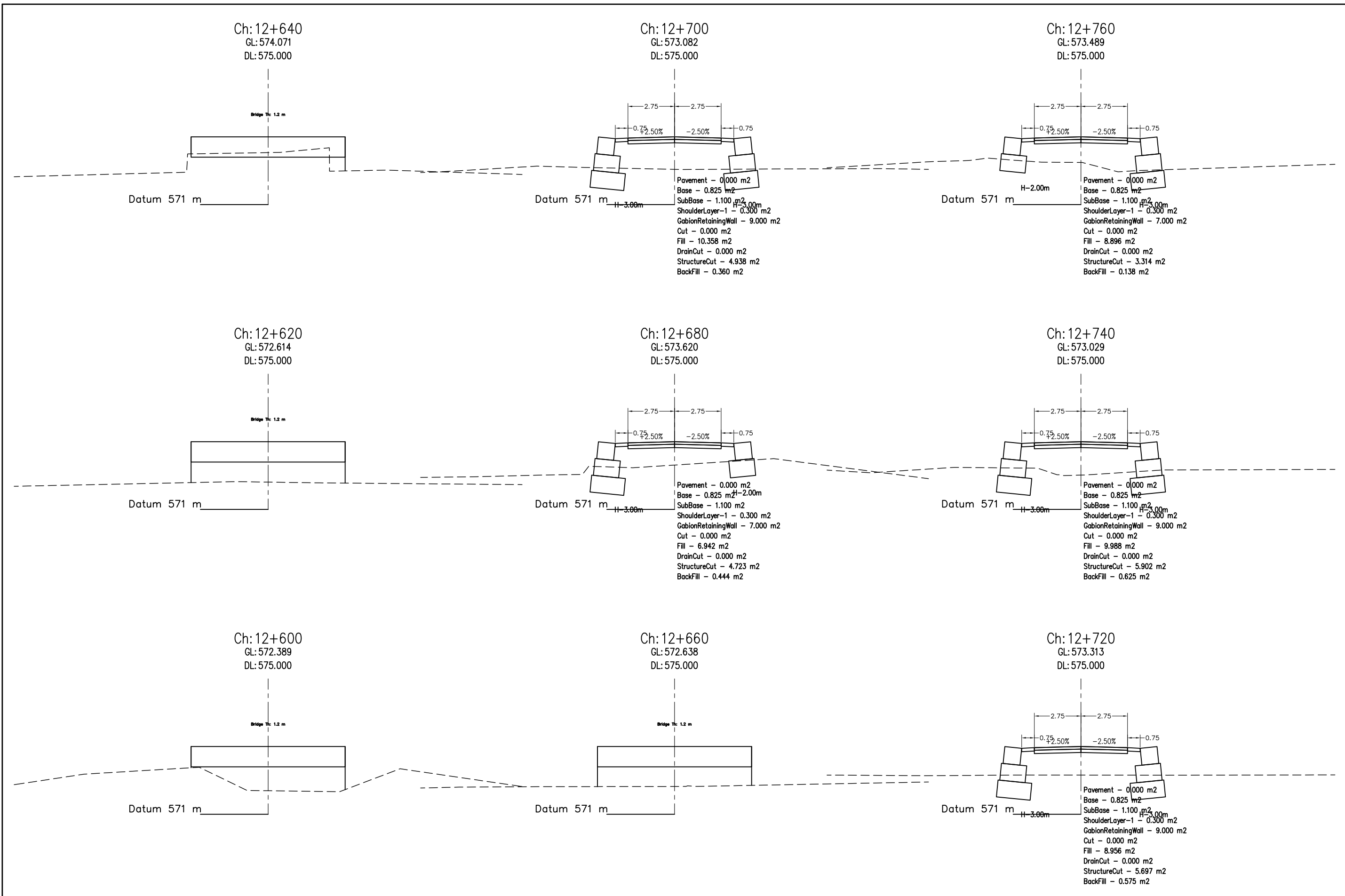


Cross-Section
 12+240-12+400

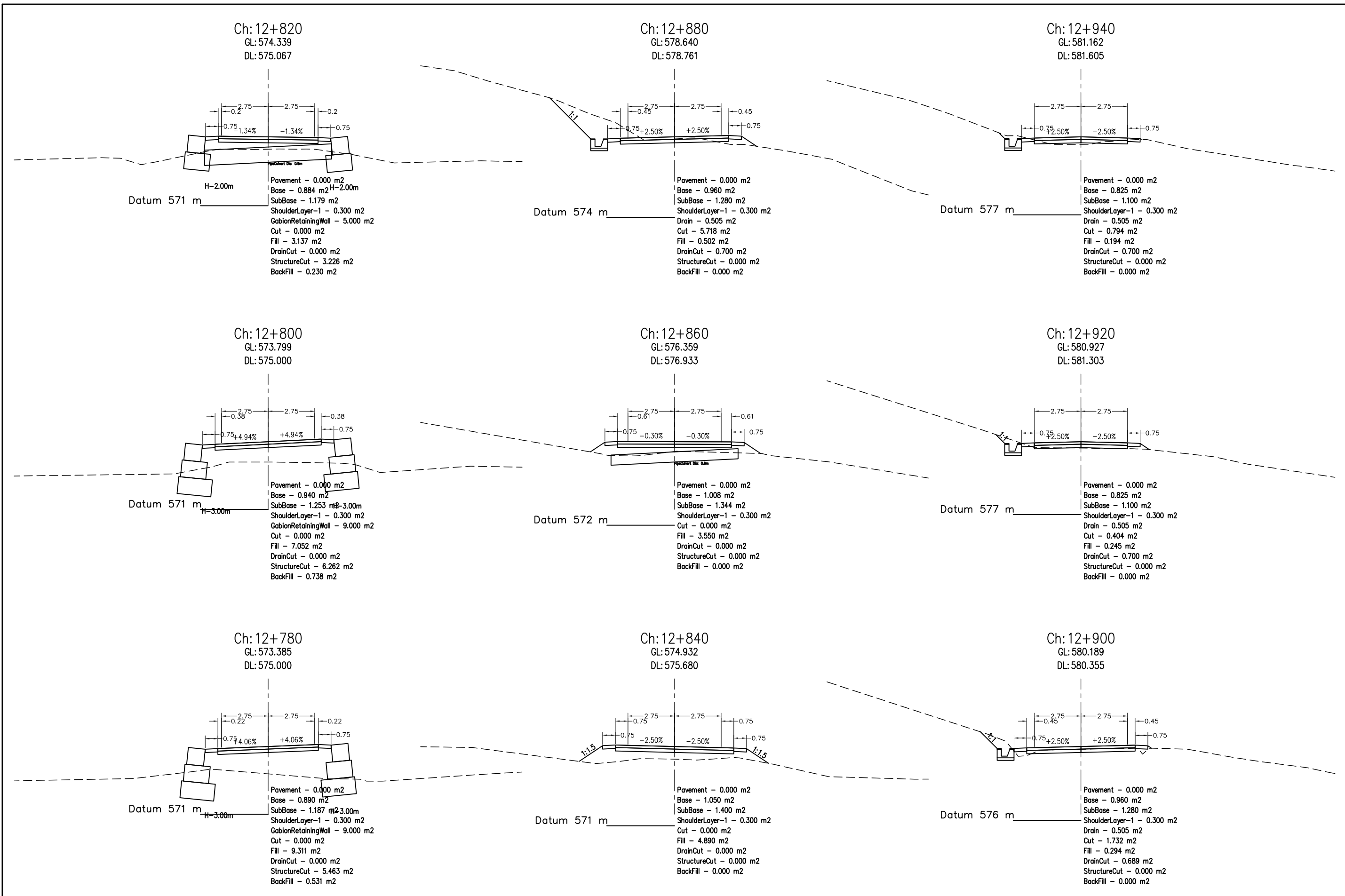
DATE: March 2022
 DRG NO : RCIIP2/DNG/BBJ/CX
 SHEET NO : 69



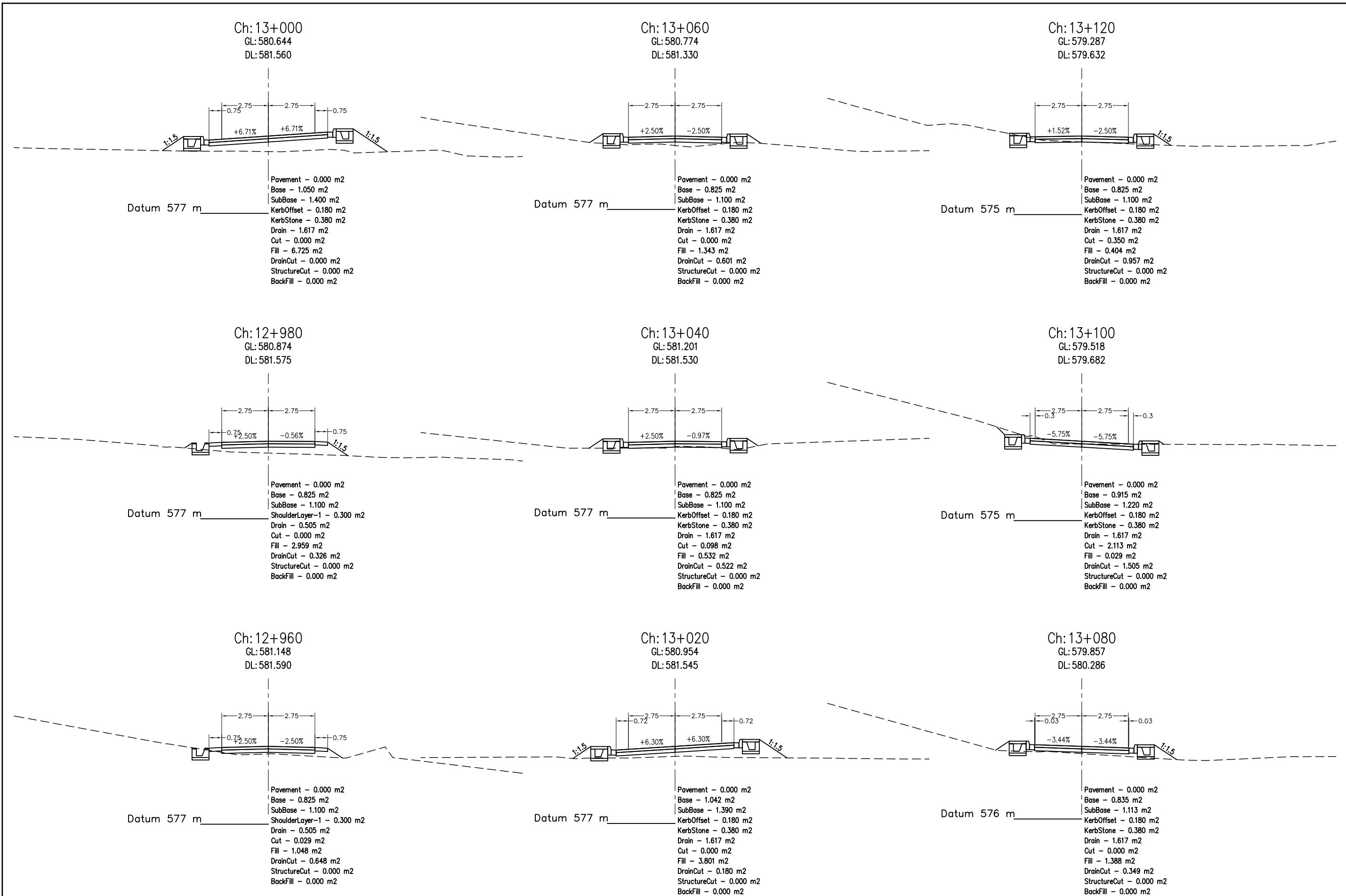
Government of Nepal Ministry of Federal Affairs and General Administration Department of Local Infrastructure (DoLI) Rural Connectivity Improvement Project-phase 2 (DoLI/RCIP/DPR-04/2019)	CONSULTANT: ITECO - INCLUSIVE JV Sitapaila Chowk, Ring Road	ROAD NAME : Bijauri-Basdabara-Jmuni-Laxmipur- Dakchin-Kurariya-Kanjawar-Kothari Road Dang District	DATE	REVISION	SIGNATURE	DESIGNED BY : DRAWN BY : CHECKED BY : APPROVED BY :	SCALE 	Cross-Section 12+420-12+580	DATE: March 2022 DRG NO : RCI/P2/DNG/BBJ/CX SHEET NO : 70
--	--	--	------	----------	-----------	--	-----------	---------------------------------------	--



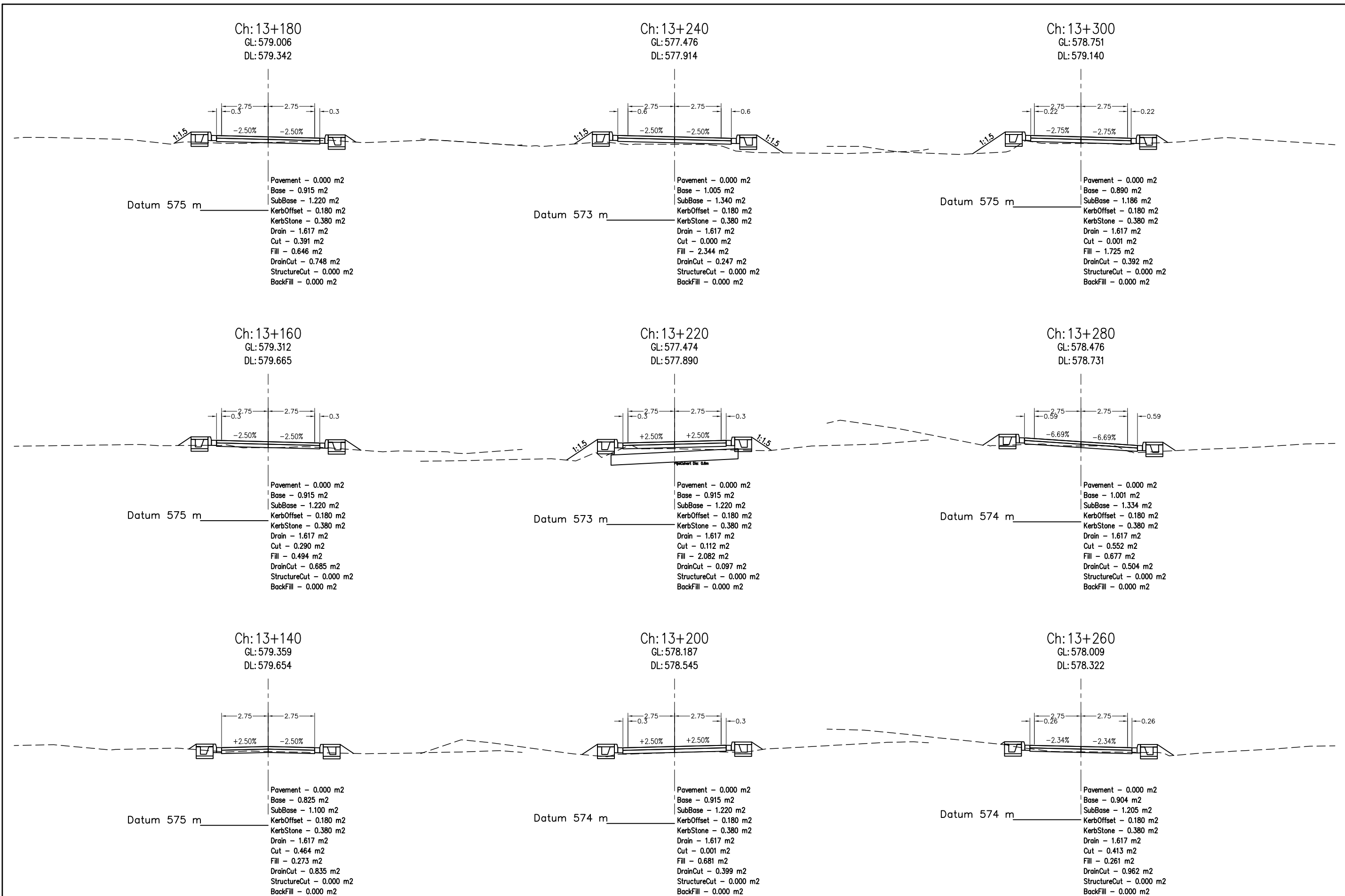
Government of Nepal Ministry of Federal Affairs and General Administration Department of Local Infrastructure (DoLI) Rural Connectivity Improvement Project-phase 2 (DoLI/RCIP/DPR-04/2019)	CONSULTANT: ITECO - INCLUSIVE JV Sitapaila Chowk, Ring Road	ROAD NAME : Bijauri-Basdabara-Jmuni-Laxmipur- Dakchin-Kurariya-Kanjawar-Kothari Road Dang District	DATE	REVISION	SIGNATURE	DESIGNED BY :	SCALE 	Cross-Section 12+600-12+760	DATE: March 2022
			CHECKED BY :	DRG NO : RCIP2/DNG/BBJ/CX					
			APPROVED BY :	SHEET NO :					
			71						



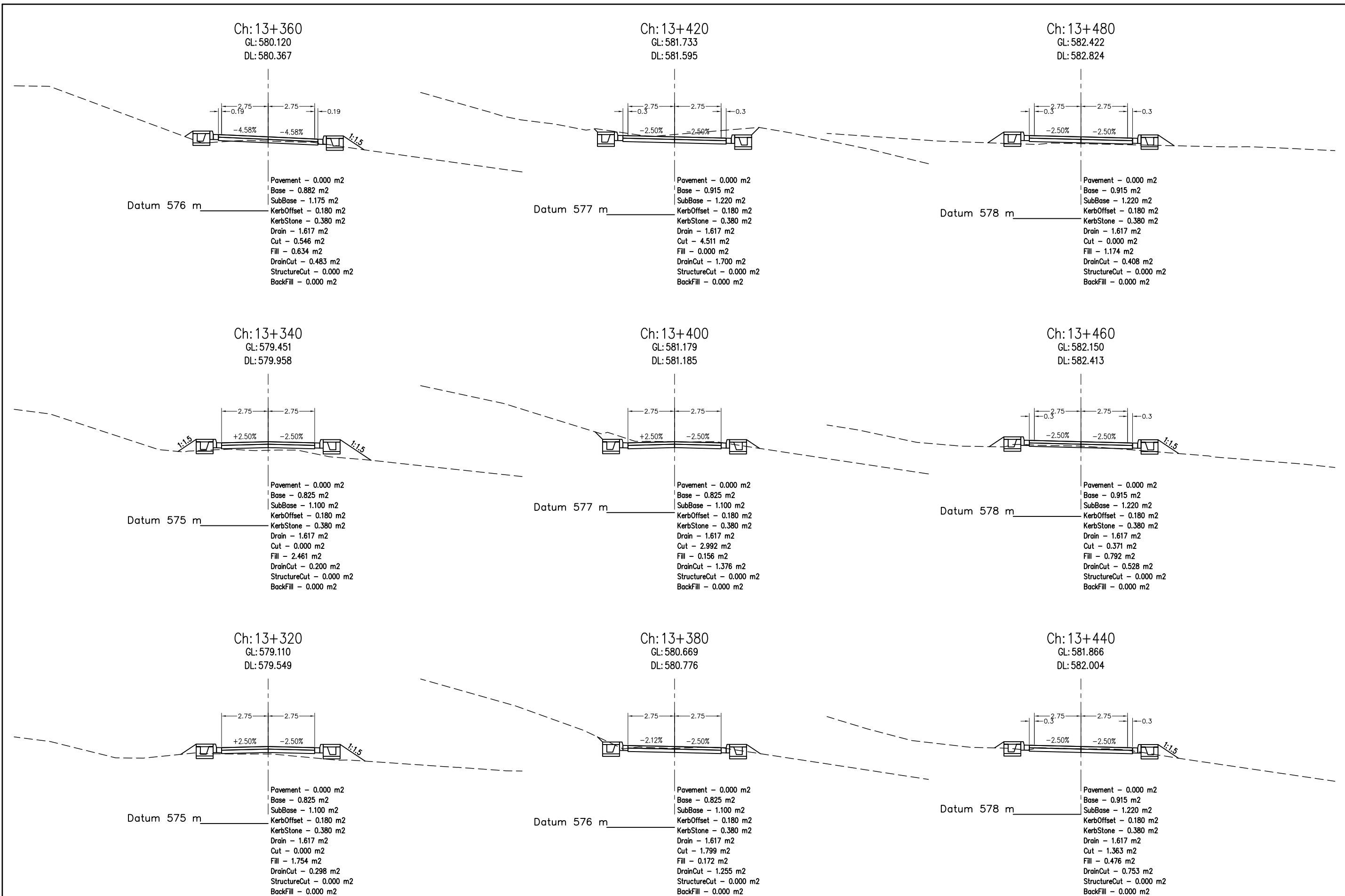
Government of Nepal Ministry of Federal Affairs and General Administration Department of Local Infrastructure (DoLI) Rural Connectivity Improvement Project-phase 2 (DoLI/RCIP/DPR-04/2019)	CONSULTANT:	ROAD NAME :	DATE	REVISION	SIGNATURE	DESIGNED BY :	SCALE 	Cross-Section 12+780-12+940	DATE: March 2022
	ITECO - INCLUSIVE JV Sitapaila Chowk, Ring Road	Bijauri-Basdabara-Jmuni-Laxmipur-Dakchin-Kurariya-Kanjawar-Kothari Road Dang District				DRAWN BY :			DRG NO : RCI/P2/DNG/BBJ/CX
						CHECKED BY :			SHEET NO :
						APPROVED BY :			72



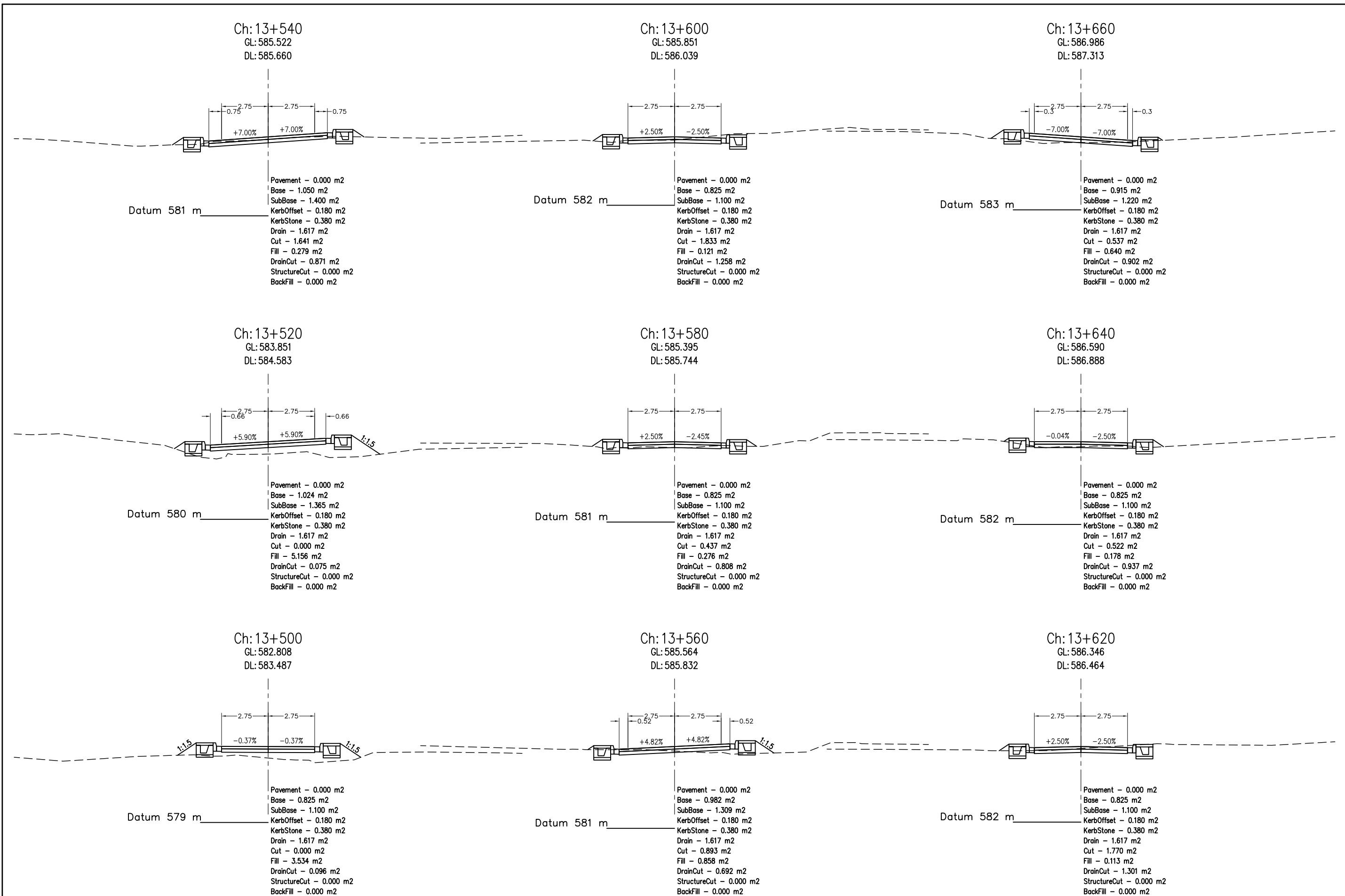
Government of Nepal Ministry of Federal Affairs and General Administration Department of Local Infrastructure (DoLI) Rural Connectivity Improvement Project-phase 2 (DoLI/RCIP/DPR-04/2019)	CONSULTANT: ITECO - INCLUSIVE JV Sitapaila Chowk, Ring Road	ROAD NAME : Bijauri-Basdabara-Jmuni-Laxmipur- Dakchin-Kurariya-Kanjawar-Kothari Road Dang District	DATE	REVISION	SIGNATURE	DESIGNED BY :	SCALE 	Cross-Section 12+960-13+120	DATE: March 2022
			CHECKED BY :	DRG NO : RCIP2/DNG/BBJ/CX					
			APPROVED BY :	SHEET NO :					
			73						



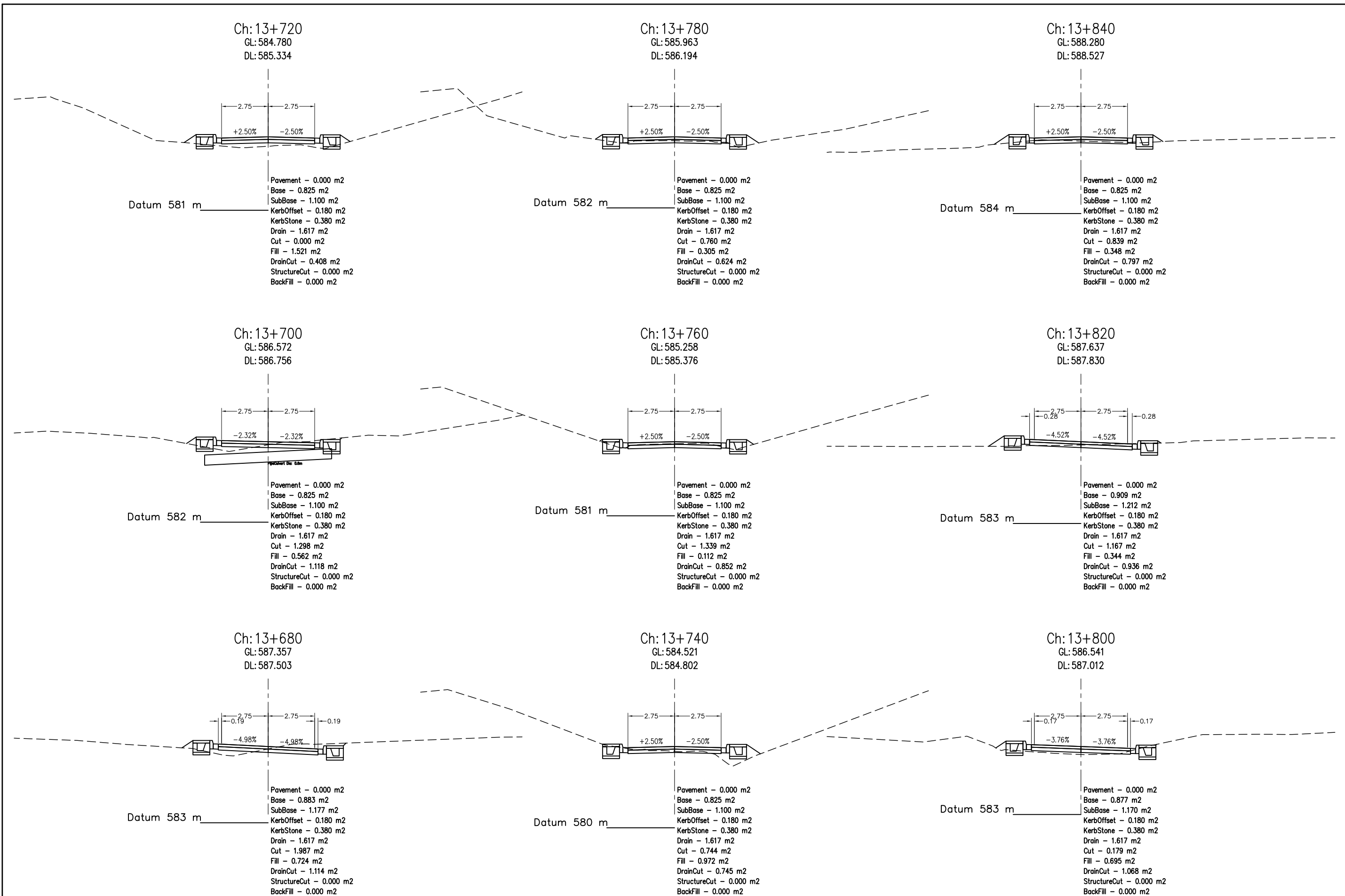
Government of Nepal Ministry of Federal Affairs and General Administration Department of Local Infrastructure (DoLI) Rural Connectivity Improvement Project-phase 2 (DoLI/RCIP/DPR-04/2019)	CONSULTANT:	ROAD NAME : Bijauri-Basdabara-Jmuni-Laxmipur- Dakchin-Kurariya-Kanjawar-Kothari Road Dang District	DATE	REVISION	SIGNATURE	DESIGNED BY :	SCALE 	Cross-Section 13+140-13+300	DATE: March 2022
	ITECO - INCLUSIVE JV Sitapaila Chowk, Ring Road					DRAWN BY :			DRG NO : RCIIP2/DNG/BBJ/CX
						CHECKED BY :			SHEET NO : 74
						APPROVED BY :			



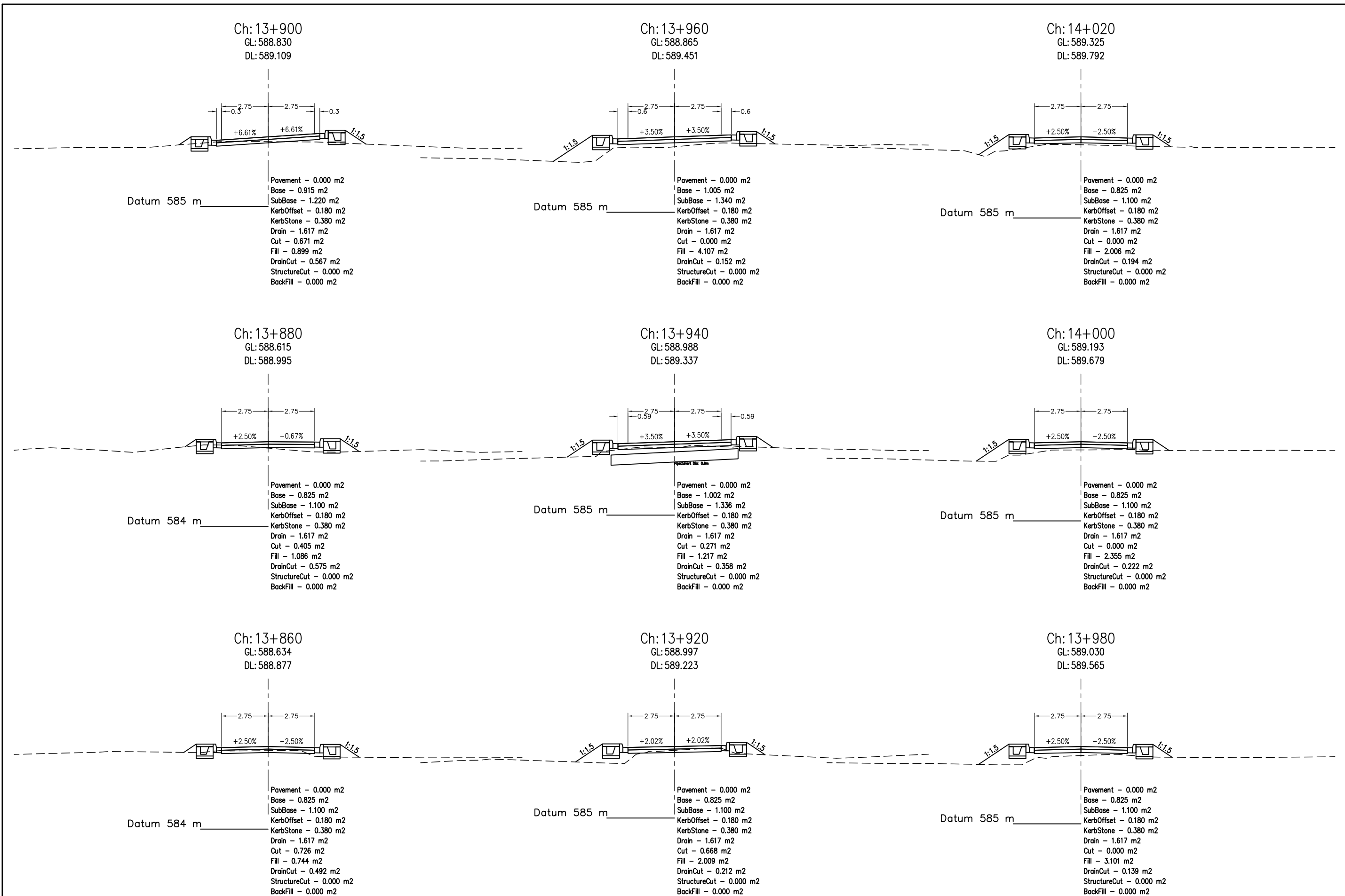
Government of Nepal Ministry of Federal Affairs and General Administration Department of Local Infrastructure (DoLI) Rural Connectivity Improvement Project-phase 2 (DoLI/RCIP/DPR-04/2019)	CONSULTANT:	ROAD NAME :	DATE	REVISION	SIGNATURE	DESIGNED BY :	SCALE 	Cross-Section 13+320-13+480	DATE: March 2022
	ITECO - INCLUSIVE JV Sitapaila Chowk, Ring Road	Bijauri-Basdabara-Jmuni-Laxmipur-Dakchin-Kurariya-Kanjawar-Kothari Road Dang District				DRAWN BY :			DRG NO : RCI/2/DNG/BBJ/CX
						CHECKED BY :			SHEET NO :
						APPROVED BY :			75



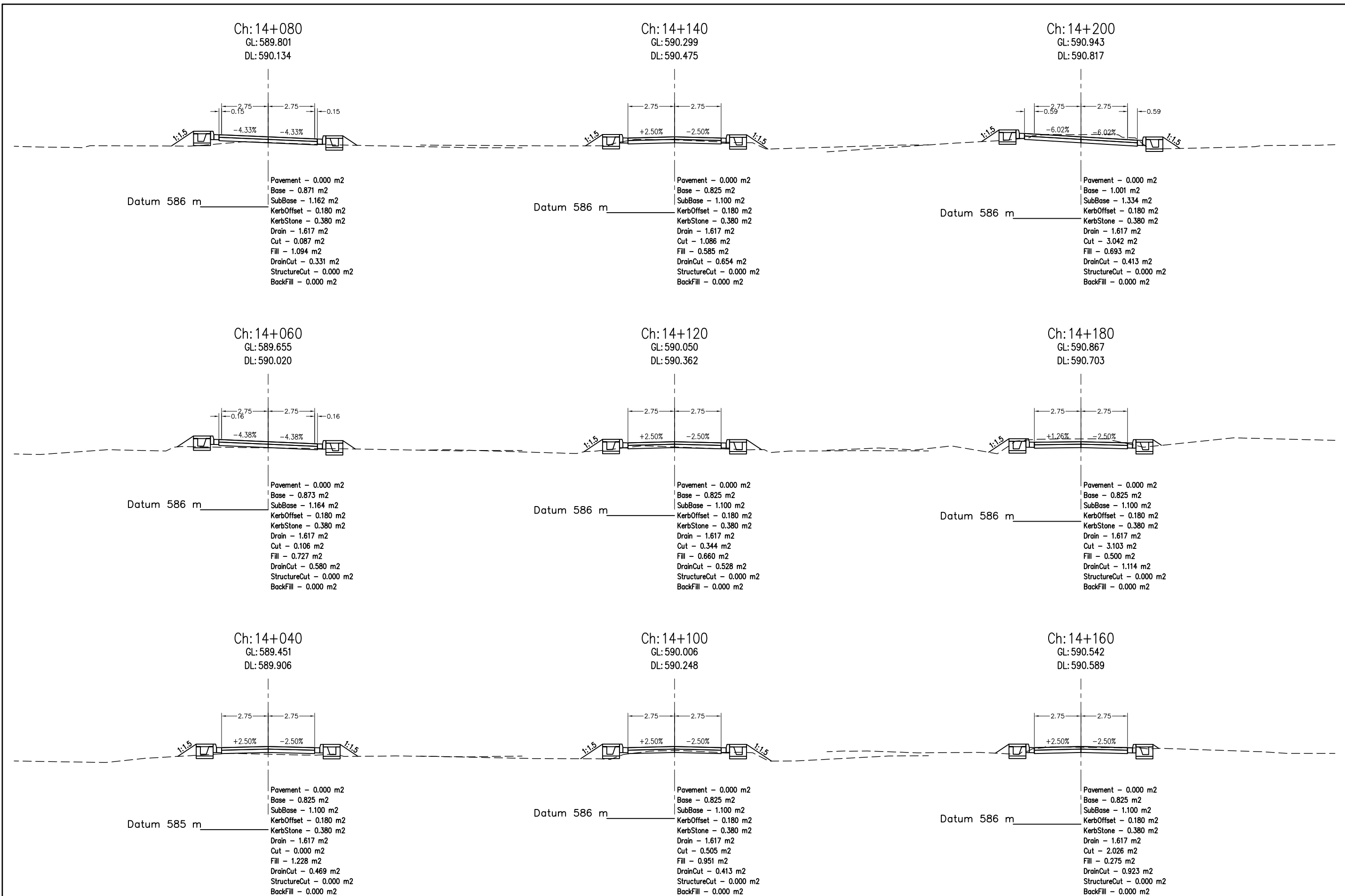
Government of Nepal Ministry of Federal Affairs and General Administration Department of Local Infrastructure (DoLI) Rural Connectivity Improvement Project-phase 2 (DoLI/RCIP/DPR-04/2019)	CONSULTANT:	ROAD NAME :	DATE	REVISION	SIGNATURE	DESIGNED BY :	SCALE 	Cross-Section 13+500-13+660	DATE: March 2022
	ITECO - INCLUSIVE JV Sitapaila Chowk, Ring Road	Bijauri-Basdabara-Jmuni-Laxmipur-Dakchin-Kurariya-Kanjawar-Kothari Road Dang District				DRAWN BY :			DRG NO : RCI/2/DNG/BBJ/CX
						CHECKED BY :			SHEET NO : 76
						APPROVED BY :			



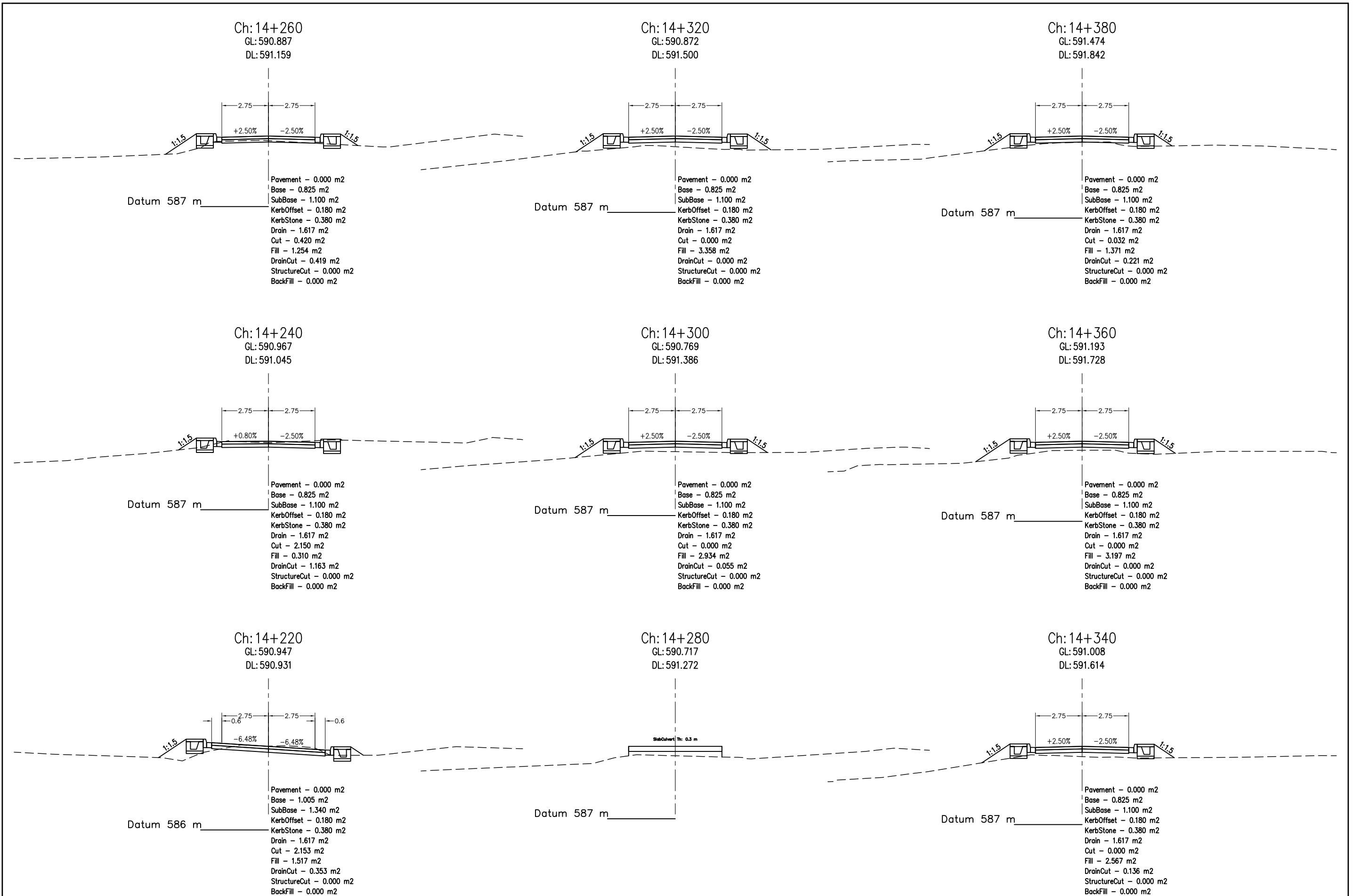
Government of Nepal Ministry of Federal Affairs and General Administration Department of Local Infrastructure (DoLI) Rural Connectivity Improvement Project-phase 2 (DoLI/RCIP/DPR-04/2019)	CONSULTANT:	ROAD NAME :	DATE	REVISION	SIGNATURE	DESIGNED BY :	SCALE 	Cross-Section 13+680-13+840	DATE: March 2022
	ITECO - INCLUSIVE JV Sitapaila Chowk, Ring Road	Bijauri-Basdabara-Jmuni-Laxmipur-Dakchin-Kurariya-Kanjawar-Kothari Road Dang District				DRAWN BY :			DRG NO : RCI/2/DNG/BBJ/CX
						CHECKED BY :			SHEET NO :
						APPROVED BY :			77



Government of Nepal Ministry of Federal Affairs and General Administration Department of Local Infrastructure (DoLI) Rural Connectivity Improvement Project-phase 2 (DoLI/RCIP/DPR-04/2019)	CONSULTANT: ITECO - INCLUSIVE JV Sitapaila Chowk, Ring Road	ROAD NAME : Bijauri-Basdabara-Jmuni-Laxmipur- Dakchin-Kurariya-Kanjawar-Kothari Road Dang District	DATE	REVISION	SIGNATURE	DESIGNED BY :	SCALE 	Cross-Section 13+860-14+020	DATE: March 2022
			CHECKED BY :	DRG NO : RCIP2/DNG/BBJ/CX					
			APPROVED BY :	SHEET NO : 78					



Government of Nepal Ministry of Federal Affairs and General Administration Department of Local Infrastructure (DoLI) Rural Connectivity Improvement Project-phase 2 (DoLI/RCIP/DPR-04/2019)	CONSULTANT:	ROAD NAME :	DATE	REVISION	SIGNATURE	DESIGNED BY :	SCALE 	Cross-Section 14+040-14+200	DATE: March 2022
	ITECO - INCLUSIVE JV Sitapaila Chowk, Ring Road	Bijauri-Basdabara-Jmuni-Laxmipur-Dakchin-Kurariya-Kanjawar-Kothari Road Dang District				DRAWN BY :			DRG NO : RCI/2/DNG/BBJ/CX
						CHECKED BY :			SHEET NO :
						APPROVED BY :			79



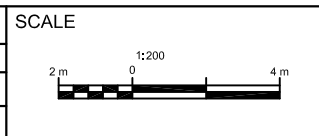
Government of Nepal
 Ministry of Federal Affairs and General Administration
 Department of Local Infrastructure (DoLI)
Rural Connectivity Improvement Project-phase 2
 (DoLI/RCIP/DPR-04/2019)

CONSULTANT:
ITECO - INCLUSIVE JV
 Sitapaila Chowk, Ring Road

ROAD NAME :
 Bijauri-Basdabara-Jmuni-Laxmipur-
 Dakchin-Kurariya-Kanjawar-Kothari
 Road
 Dang District

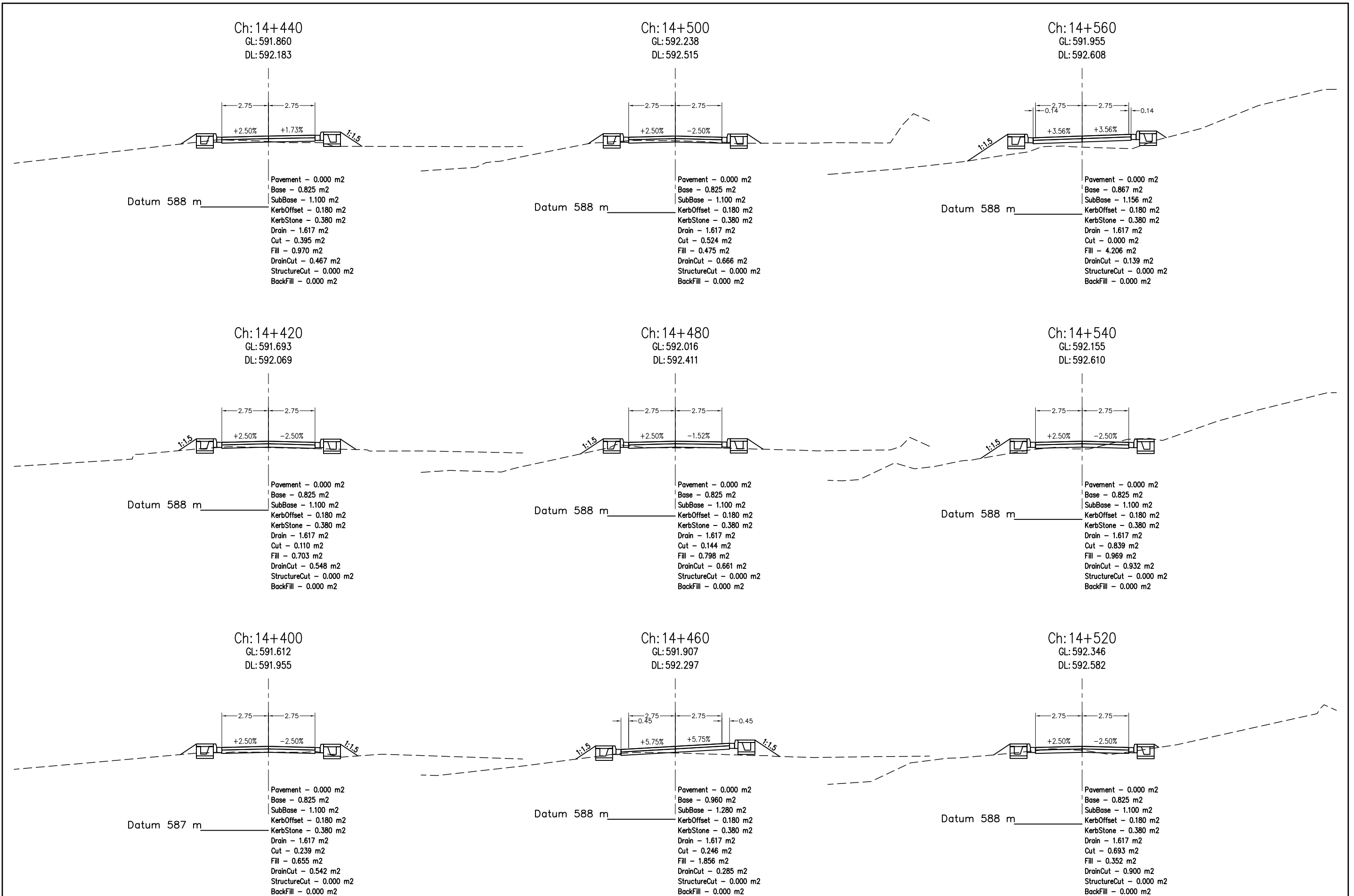
DATE
 REVISION
 SIGNATURE

DESIGNED BY :
 DRAWN BY :
 CHECKED BY :
 APPROVED BY :

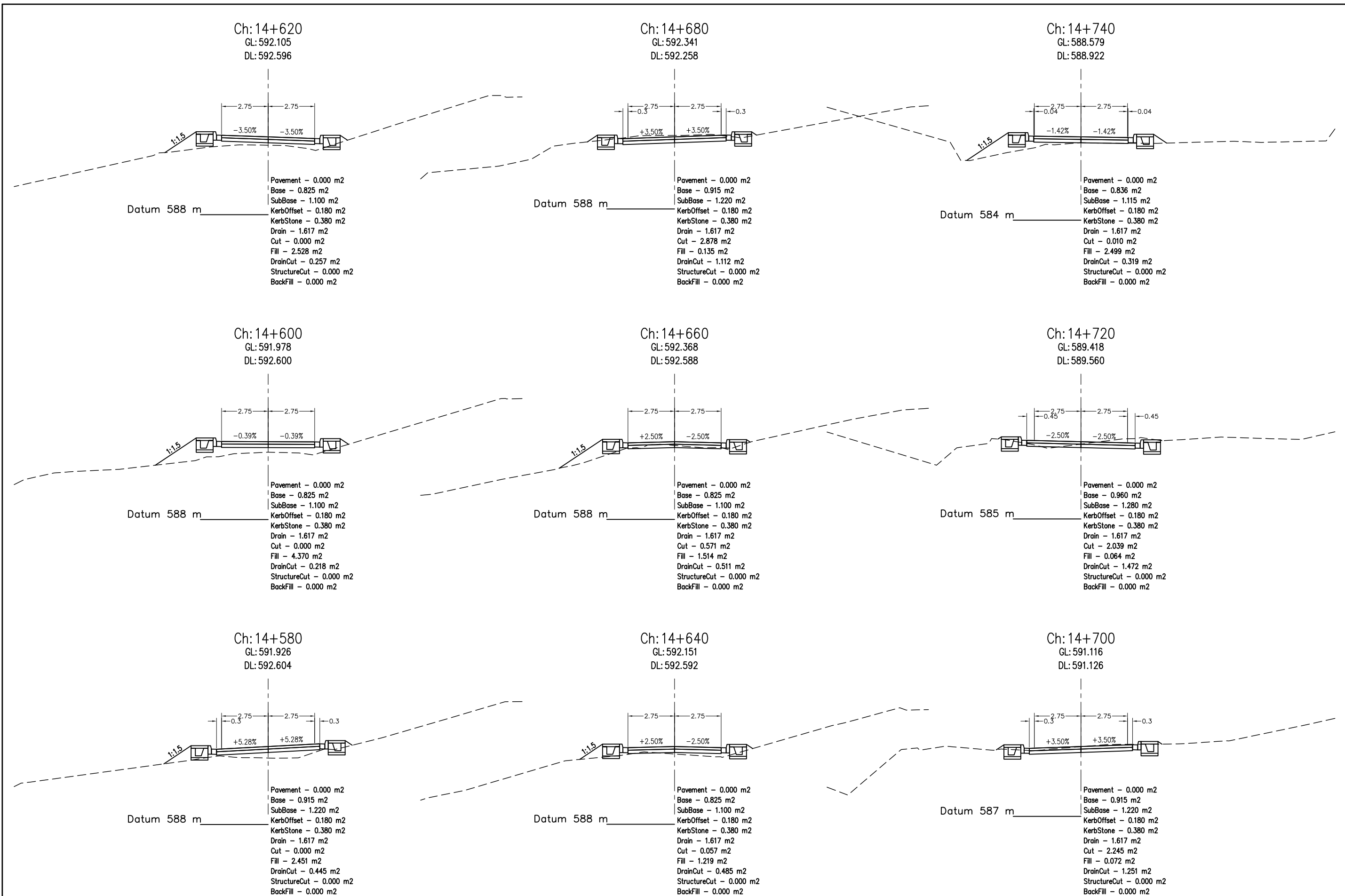


Cross-Section
 14+220-14+380

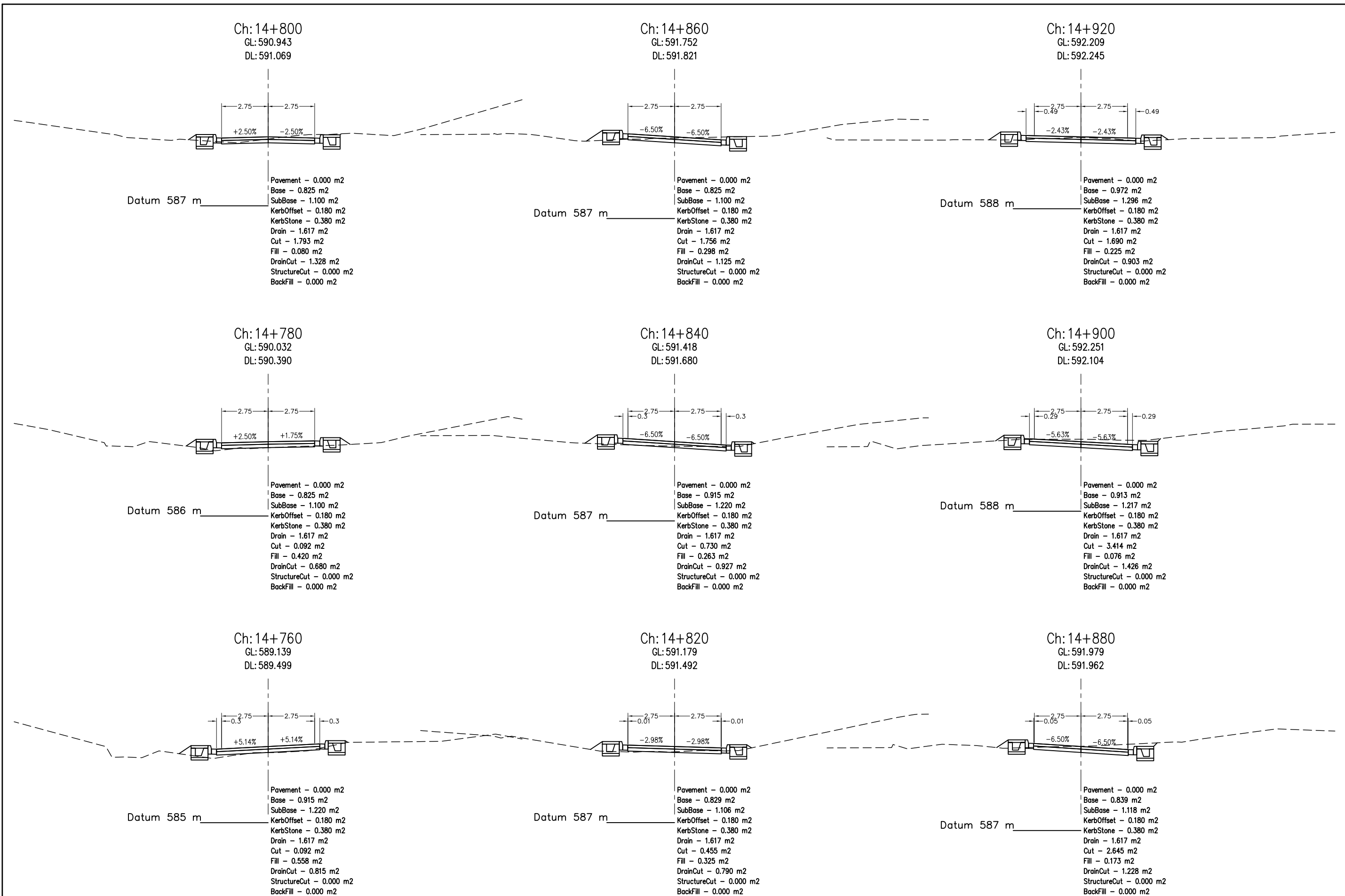
DATE: March 2022
 DRG NO : RCIP2/DNG/BBJ/CX
 SHEET NO : **80**



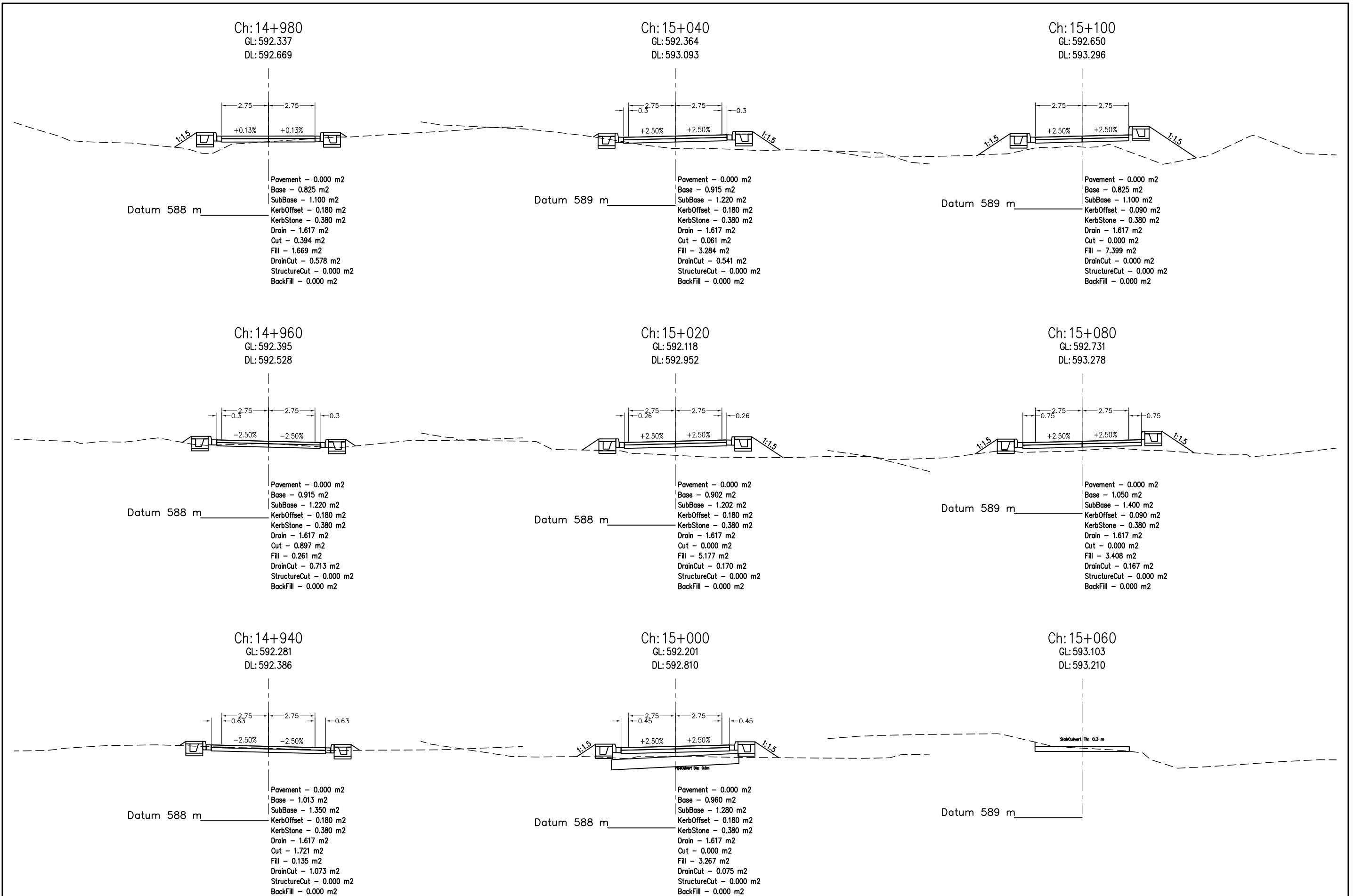
Government of Nepal Ministry of Federal Affairs and General Administration Department of Local Infrastructure (DoLI) Rural Connectivity Improvement Project-phase 2 (DoLI/RCIP/DPR-04/2019)	CONSULTANT: ITECO - INCLUSIVE JV Sitapaila Chowk, Ring Road	ROAD NAME : Bijauri-Basdabara-Jmuni-Laxmipur- Dakchin-Kurariya-Kanjawar-Kothari Road Dang District	DATE	REVISION	SIGNATURE	DESIGNED BY :	SCALE 	Cross-Section 14+400-14+560	DATE: March 2022
			CHECKED BY :	DRG NO : RCIP2/DNG/BBJ/CX					
			APPROVED BY :	SHEET NO :					
			81						



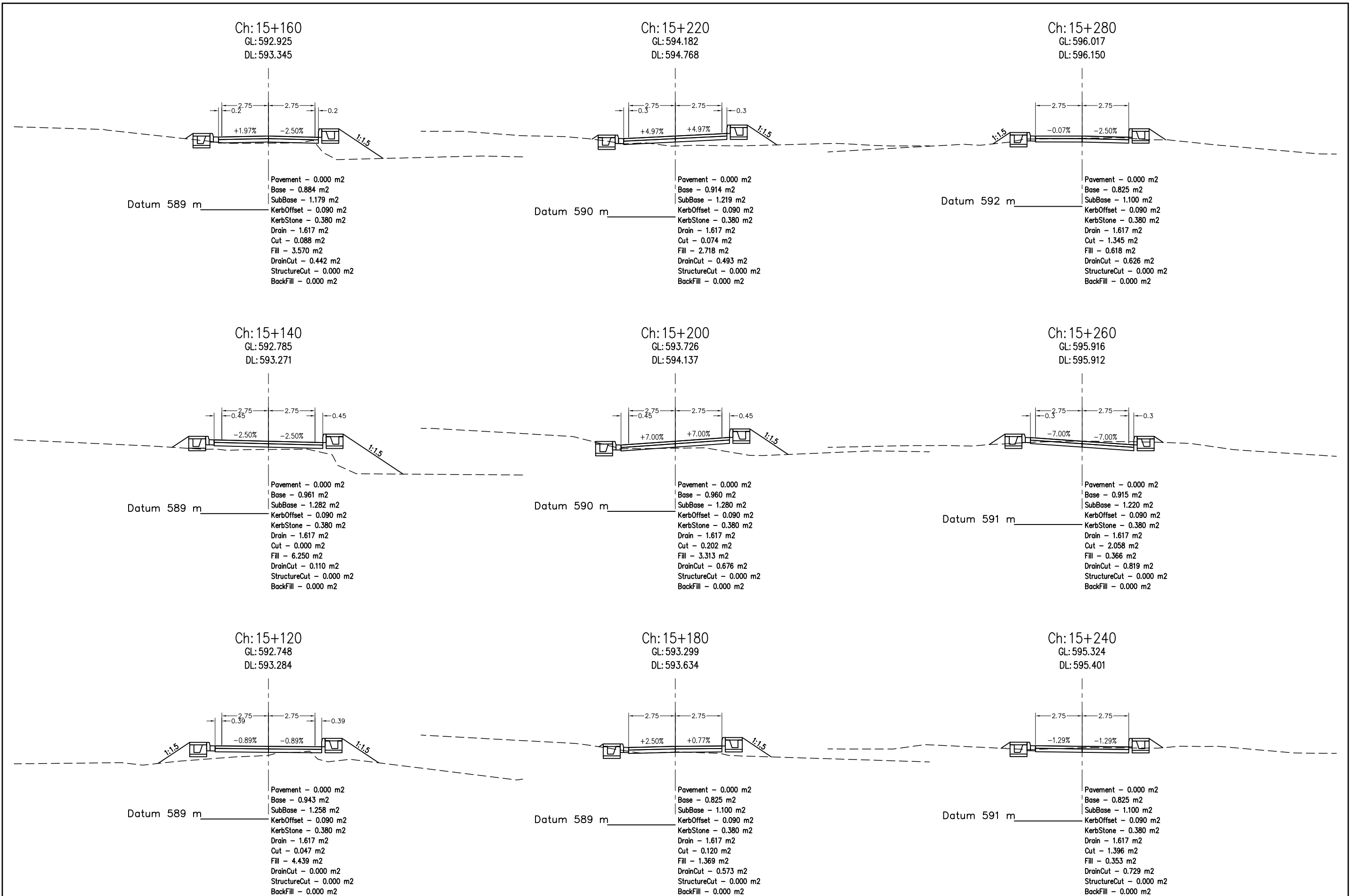
Government of Nepal Ministry of Federal Affairs and General Administration Department of Local Infrastructure (DoLI) Rural Connectivity Improvement Project-phase 2 (DoLI/RCIP/DPR-04/2019)	CONSULTANT:	ROAD NAME :	DATE	REVISION	SIGNATURE	DESIGNED BY :	SCALE 	Cross-Section 14+580-14+740	DATE: March 2022
	ITECO - INCLUSIVE JV Sitapaila Chowk, Ring Road	Bijauri-Basdabara-Jmuni-Laxmipur-Dakchin-Kurariya-Kanjawar-Kothari Road Dang District				DRAWN BY :			DRG NO : RCI/2/DNG/BBJ/CX
						CHECKED BY :			SHEET NO :
						APPROVED BY :			82



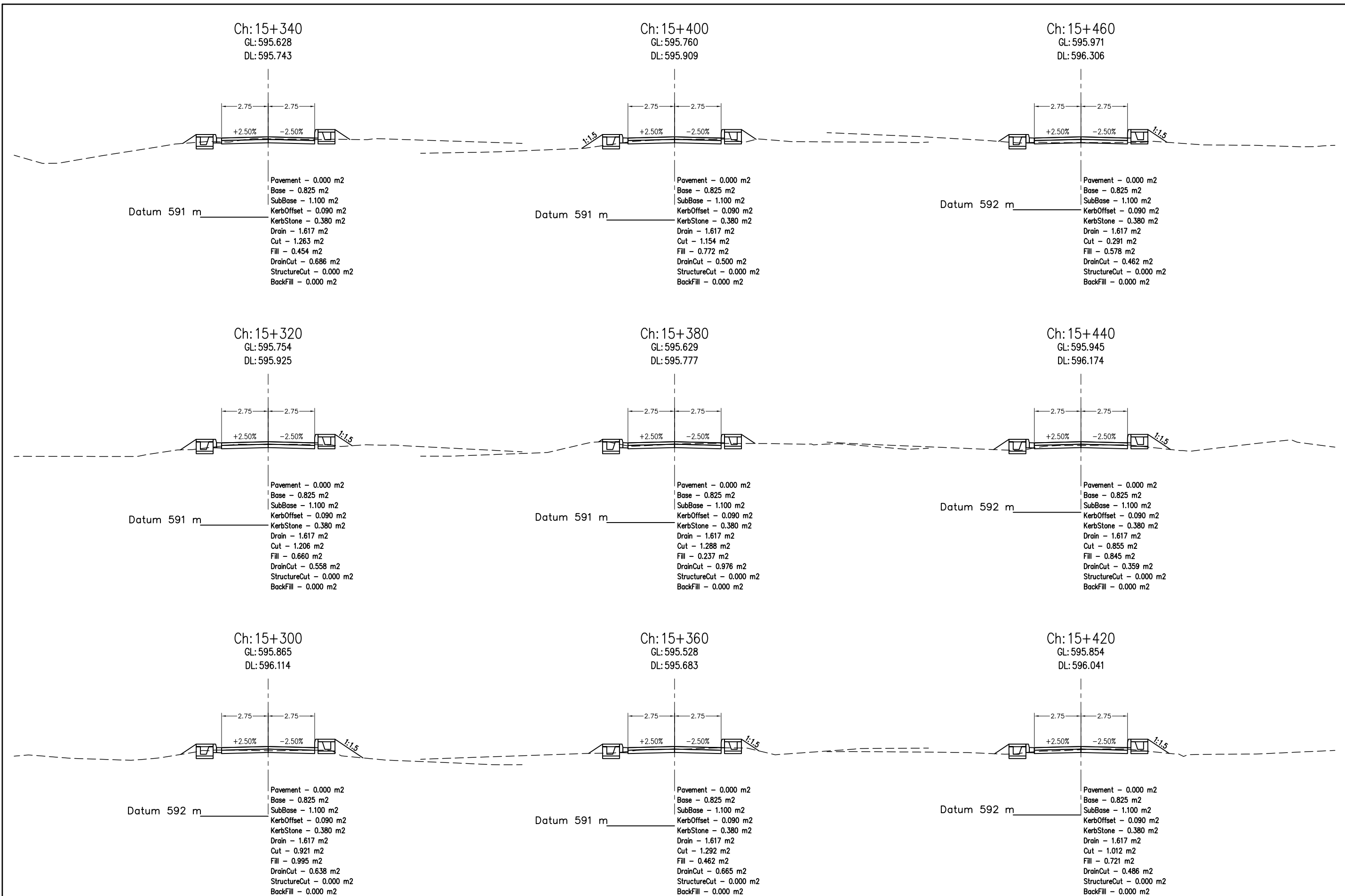
Government of Nepal Ministry of Federal Affairs and General Administration Department of Local Infrastructure (DoLI) Rural Connectivity Improvement Project-phase 2 (DoLI/RCIP/DPR-04/2019)	CONSULTANT:	ROAD NAME : Bijauri-Basdabara-Jmuni-Laxmipur- Dakchin-Kurariya-Kanjawar-Kothari Road Dang District	DATE	REVISION	SIGNATURE	DESIGNED BY :	SCALE 	Cross-Section 14+760-14+920	DATE: March 2022
	ITECO - INCLUSIVE JV Sitapaila Chowk, Ring Road					DRAWN BY :			DRG NO : RCIIP2/DNG/BBJ/CX
						CHECKED BY :			SHEET NO : 83
						APPROVED BY :			



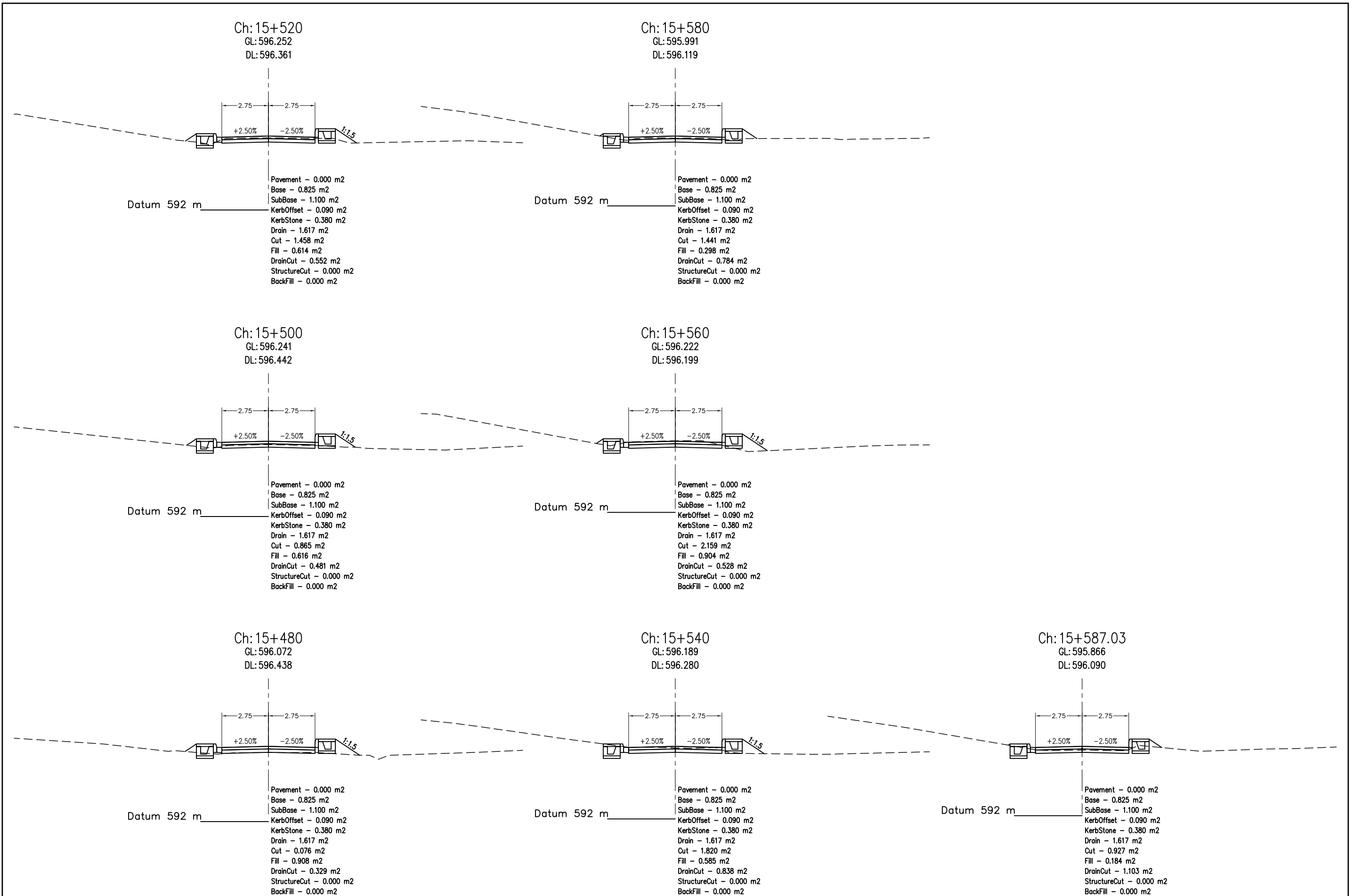
Government of Nepal Ministry of Federal Affairs and General Administration Department of Local Infrastructure (DoLI) Rural Connectivity Improvement Project-phase 2 (DoLI/RCIP/DPR-04/2019)	CONSULTANT:	ROAD NAME :	DATE	REVISION	SIGNATURE	DESIGNED BY :	SCALE 	Cross-Section 14+940-15+100	DATE: March 2022
	ITECO - INCLUSIVE JV Sitapaila Chowk, Ring Road	Bijauri-Basdabara-Jmuni-Laxmipur-Dakchin-Kurariya-Kanjawar-Kothari Road Dang District				DRAWN BY :			DRG NO : RCIP2/DNG/BBJ/CX
						CHECKED BY :			SHEET NO :
						APPROVED BY :			84



Government of Nepal Ministry of Federal Affairs and General Administration Department of Local Infrastructure (DoLI) Rural Connectivity Improvement Project-phase 2 (DoLI/RCIP/DPR-04/2019)	CONSULTANT: ITECO - INCLUSIVE JV Sitapaila Chowk, Ring Road	ROAD NAME : Bijauri-Basdabara-Jmuni-Laxmipur- Dakchin-Kurariya-Kanjawar-Kothari Road Dang District	DATE	REVISION	SIGNATURE	DESIGNED BY :	SCALE 	Cross-Section 15+120-15+280	DATE: March 2022
			CHECKED BY :	DRG NO : RCIIP2/DNG/BBJ/CX					
			APPROVED BY :	SHEET NO : 85					



Government of Nepal Ministry of Federal Affairs and General Administration Department of Local Infrastructure (DoLI) Rural Connectivity Improvement Project-phase 2 (DoLI/RCIP/DPR-04/2019)	CONSULTANT: ITECO - INCLUSIVE JV Sitapaila Chowk, Ring Road	ROAD NAME : Bijauri-Basdabara-Jmuni-Laxmipur- Dakchin-Kurariya-Kanjawar-Kothari Road Dang District	DATE	REVISION	SIGNATURE	DESIGNED BY :	SCALE 	Cross-Section 15+300-15+460	DATE: March 2022
			CHECKED BY :	DRG NO :RCIP2/DNG/BBJ/CX					
			APPROVED BY :	SHEET NO :					
			86						



Government of Nepal Ministry of Federal Affairs and General Administration Department of Local Infrastructure (DoLI) Rural Connectivity Improvement Project-phase 2 (DoLI/RCIP/DPR-04/2019)	CONSULTANT:	ROAD NAME :	DATE	REVISION	SIGNATURE	DESIGNED BY :	SCALE 	Cross-Section 15+480-15+587.00	DATE: March 2022
	ITECO - INCLUSIVE JV Sitapaila Chowk, Ring Road	Bijauri-Basdabara-Jmuni-Laxmipur-Dakchin-Kurariya-Kanjawar-Kothari Road Dang District				DRAWN BY :			DRG NO : RCI/2/DNG/BBJ/CX
						CHECKED BY :			SHEET NO :
						APPROVED BY :			87

Government of Nepal
Ministry of Federal Affairs and General Administration
Department of Local Infrastructure
Rural Connectivity Improvement Project (RCIP)
Project Coordination Unit (PCU)
Shreemahal, Pulchowk, Lalitpur

Detail Project Report
Of
Bijauri-Basdabara-Jamuni-Laxmipur-Dakchin-Kurhariya-Kanjawar-Kothari Road
(Dang District)

Preparation of Detail Project Report of Rural Connectivity Improvement Project (RCIP)-Phase 2
(Package No.- DoLI/RCIP/DPR-04/2019, Province No.5)

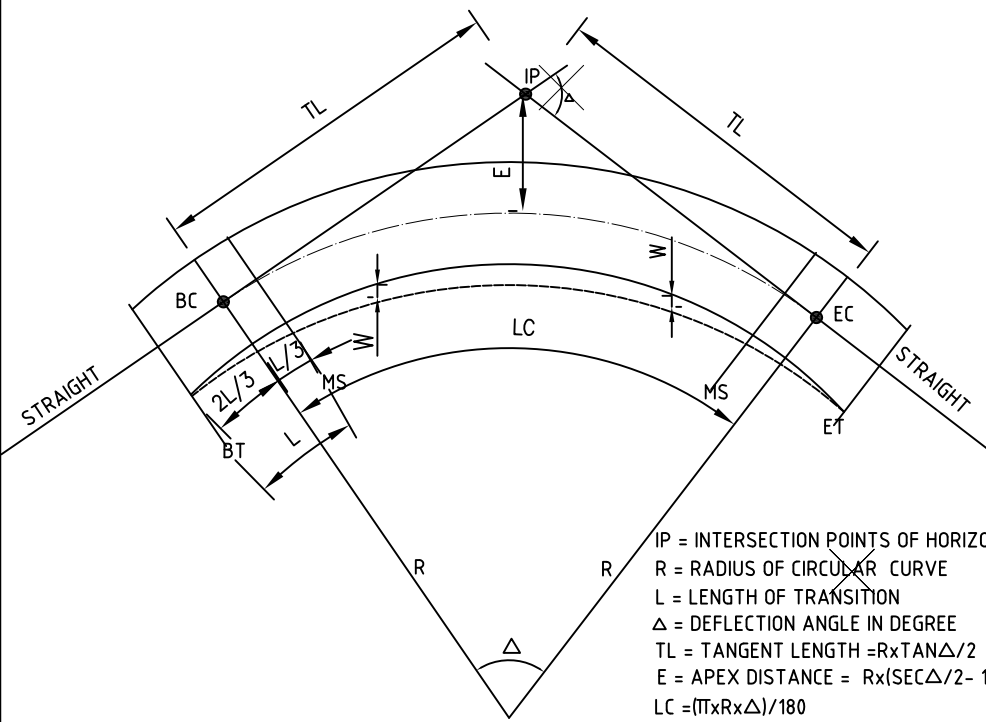
Volume 1.C Drawings
STANDARD DRAWINGS

Submitted By:
ITECO Nepal (P) Ltd.
Inclusive Consultants Pvt. Ltd.
(ITECO-Inclusive J/V)

March 2022

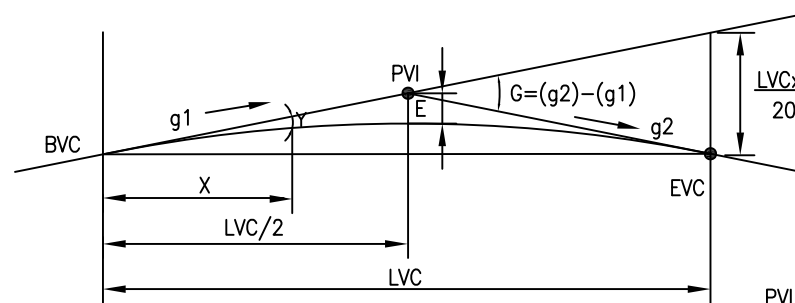
Horizontal Curve Data

IP (No)	COORDINATE		DIST (m)	WCB (deg)	Def. Angle (deg)	Tan. Length (m)	Simple Curve Data			BC (m)	MC (m)	EC (m)	IP (m)
	X (m)	Y (m)					R (m)	E (m)	LC (m)				
0	618943.563	3097057.000	0.00	298.623	0.000	0.000	0.00	0.00	0.00	45+000.00	45+000.00	45+000.00	45+000.00
1	618901.875	3097079.750	47.49	277.582	21.039	23.211	125.00	2.14	45.90	45+024.28	45+047.23	45+070.18	45+047.49
2	618866.188	3097084.500	36.00	257.780	19.801	6.109	35.00	0.53	12.10	45+076.86	45+082.91	45+088.96	45+083.49
3	618829.250	3097076.500	37.79	270.619	12.840	18.566	165.00	1.04	36.98	45+102.08	45+120.57	45+139.06	45+121.29
4	618783.000	3097077.000	46.25	260.074	10.548	5.077	55.00	0.23	10.13	45+161.67	45+166.74	45+171.80	45+167.54
5	618753.000	3097071.750	30.46	282.715	22.643	11.012	55.00	1.09	21.74	45+186.17	45+197.04	45+207.91	45+198.00



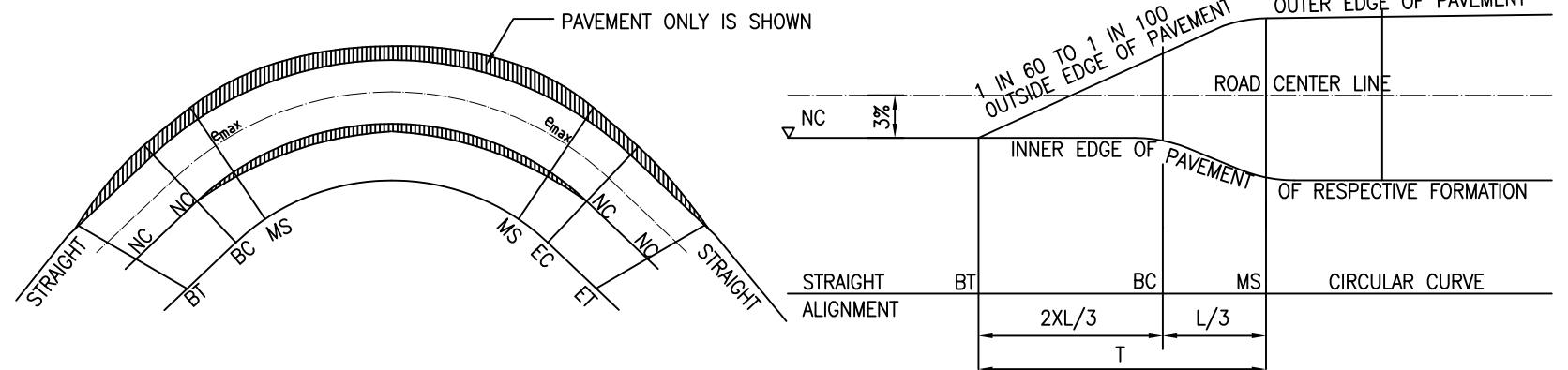
IP = INTERSECTION POINTS OF HORIZONTAL CURVES
 R = RADIUS OF CIRCULAR CURVE
 L = LENGTH OF TRANSITION
 Δ = DEFLECTION ANGLE IN DEGREE
 TL = TANGENT LENGTH = $R \times \tan(\Delta/2)$
 E = APEX DISTANCE = $R \times (\sec(\Delta/2) - 1)$
 $LC = (\pi \times R \times \Delta) / 180$
 BT = BEGINNING OF TRANSITION (JUNCTION OF TRANSITION START)
 ET = END OF TRANSITION CURVE (JUNCTION OF TRANSITION END)
 e_{max} = LIMIT OF MAXIMUM SUPER ELEVATION
 BC & EC = BEGINNING AND END OF THE CURVE
 W = EXTRA WIDENING
 NC = NO CURVE SECTION
 MS = MAXIMUM SUPER ELEVATION

ELEMENTS OF HORIZONTAL CURVE



PVI = POINT OF VERTICAL INTERSECTIONS
 LVC = LENGTH OF VERTICAL CURVE
 BVC = BEGINNING OF VERTICAL CURVE
 EVC = END OF VERTICAL CURVE
 $g1$ & $g2$ = GRADES IN %
 $G = (g2) - (g1)$
 $Y = Gx^2 / (200 \times LVC)$
 $E = G \times LVC / 800$

ELEMENTS OF VERTICAL CURVE



ELEMENTS OF SUPERELEVATION

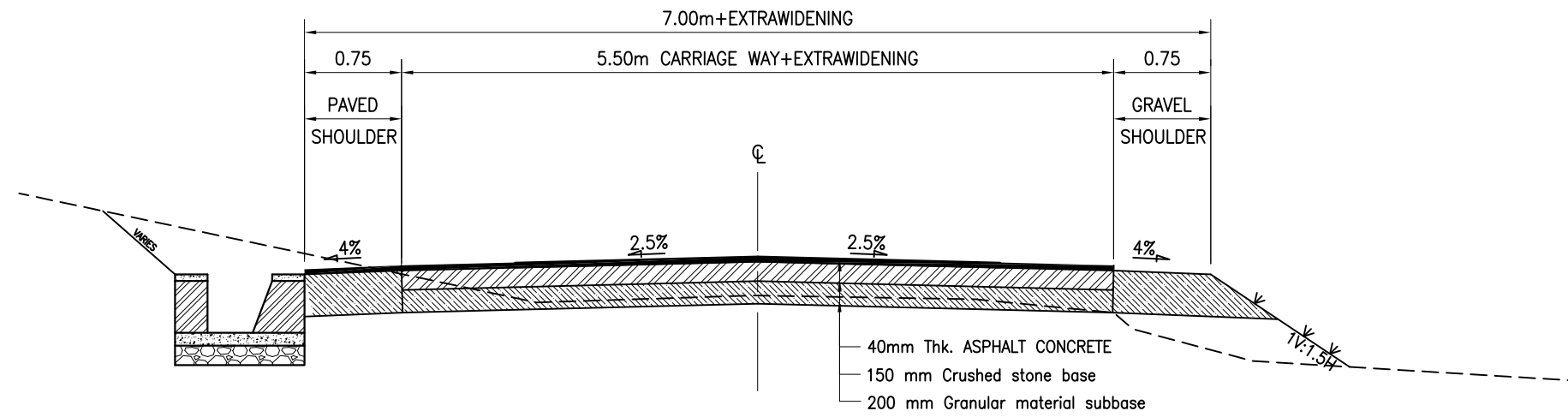
ELEVATION OF SUPERELEVATION

	BT	MS	MS	ET	BT	MS	MS	MS	MS	MS	MS	MS
SUPER ELEVATION (e)	+3.00	T	-3.00	T	NC	T	-4.00	T	-3.00	T	+3.00	T
CHAINAGE (m)	1+052.18	1+069.48	1+080.80	1+088.90	1+141.55	1+155.73	1+179.05	1+206.20	1+210.85	1+230.24	1+242.01	
HORIZONTAL ALIGNMENT	R=500.00	IP-26	R=65.00	IP-27	R=70.00	IP-28	R=25.00	IP-29	R=150.00	R=150.00	IP-30	

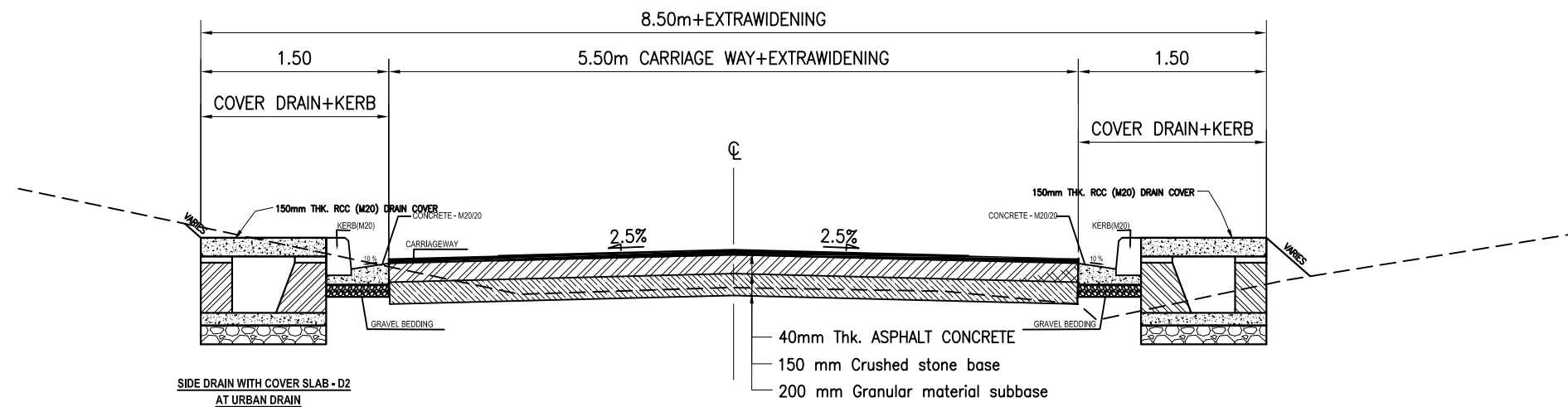
TRANSITION OF SUPERELEVATION

CLACULATION OF SUPER ELEVATION
 $T = (e2 - e1) / 100 \times \text{RATE OF CHANGE OF SUPER ELEVATION} \times RW / 2$
 Where,
 T = TRANSITION LENGTH IN METRE
 e1 = PRECEDING SUPER ELEVATION IN %
 e2 = FOLLOWING SUPERELEVATION IN %
 RW = ROAD WIDTH IN METRE

SUPER ELEVATION (SE)
 MIN. e = 3.0% = TO THE CAMBER SLOPE
 MAX. e = 6.0%
 RATE OF CHANGE OF SE = 1 IN 60 TO 1 IN 100



TYPICAL ROAD CROSS SECTION (TYPE-1)
(PARTIALLY IN CUTTING AND FILLING)



TYPICAL ROAD CROSS SECTION IN BUILT UP AREA

Government of Nepal
Ministry of Federal Affairs and General Administration
Department of Local Infrastructure (DoLI)
Rural Connectivity Improvement Project-phase 2
(DoLI/RCIP/DPR-04/2019)

CONSULTANTS :
ITECO - INCLUSIVE JV
Sitapaila Chowk, Ring Road



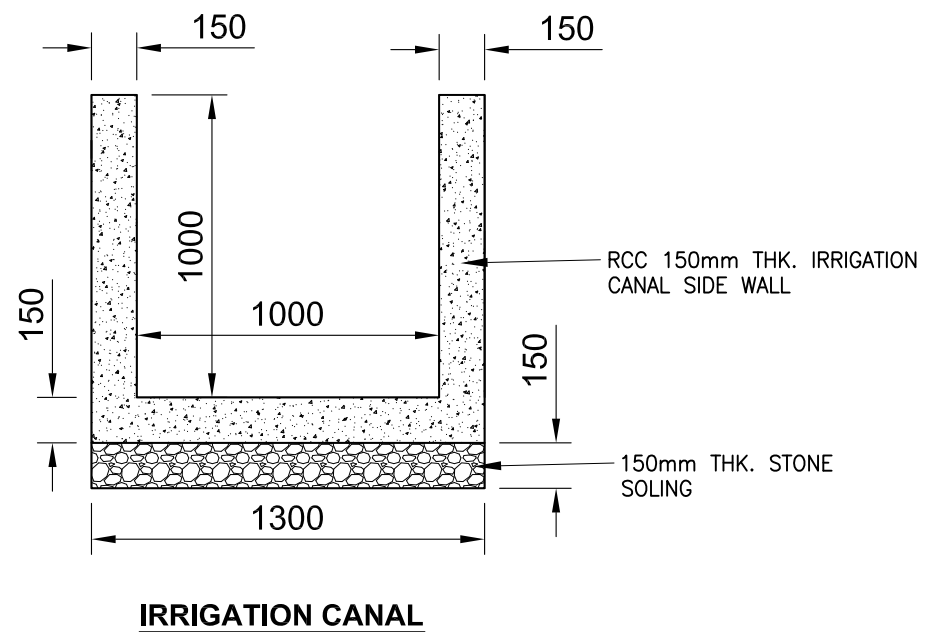
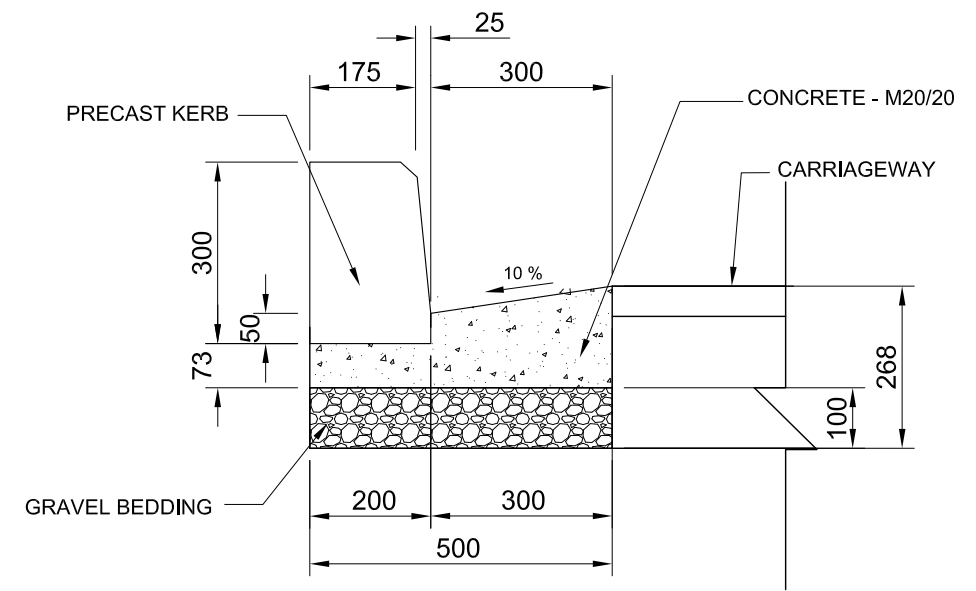
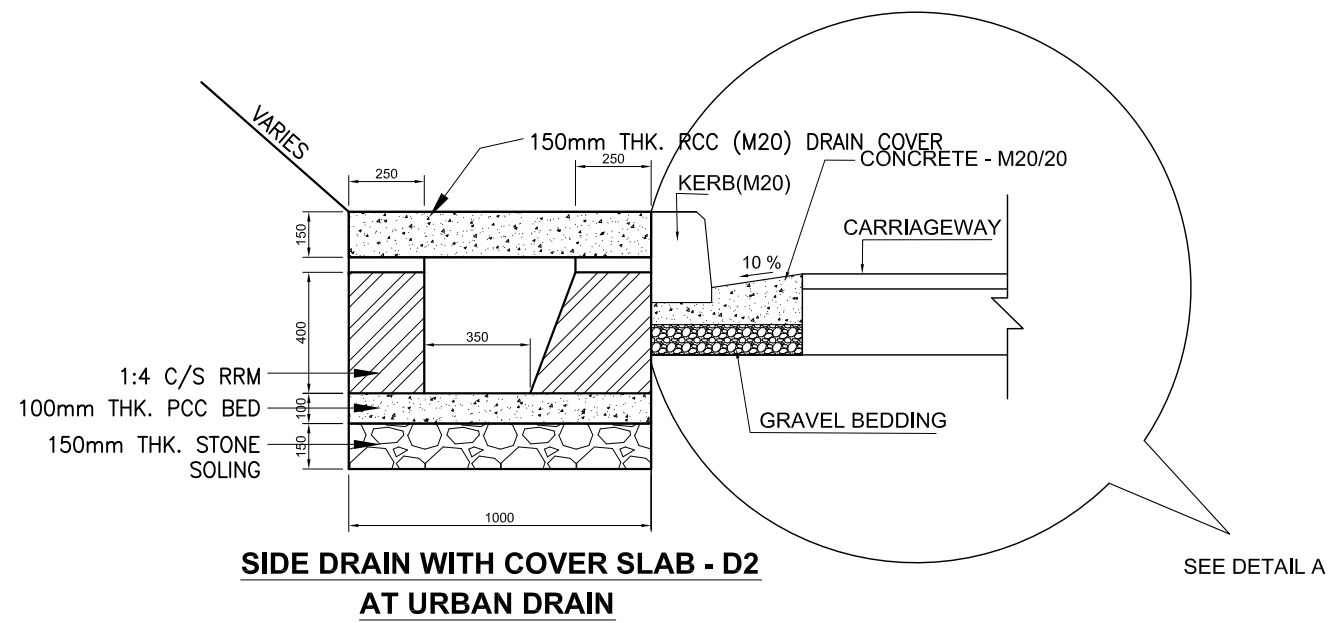
SHEET TITLE:
STANDARD DRAWINGS OF
PAVEMENT

DRAWN BY:	REV. NO.	DATE	DESCRIPTION	SIGNATURE
DESIGNED BY:				
CHECKED BY:				
APPROVED BY:				

REVISIONS

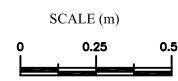
NAME OF ROAD:
**Bijauri-Basdabara-Jamuni-Laxmipur-
Dakchin-Kurariya-Kanjawar-Kothari Road**
Dang District

DATE:
March 2022
DWG. NO.:
RCIP2/DNG/BBJ/SD
SHEET NO.:
2/17



Government of Nepal
Ministry of Federal Affairs and General Administration
Department of Local Infrastructure (DoLI)
Rural Connectivity Improvement Project-phase 2
(DoLI/RCIP/DPR-04/2019)

CONSULTANTS:
ITECO - INCLUSIVE JV
Sitapaila Chowk, Ring Road



SHEET TITLE:
**STANDARD DRAWINGS OF
ROAD SIDE DRAINS**

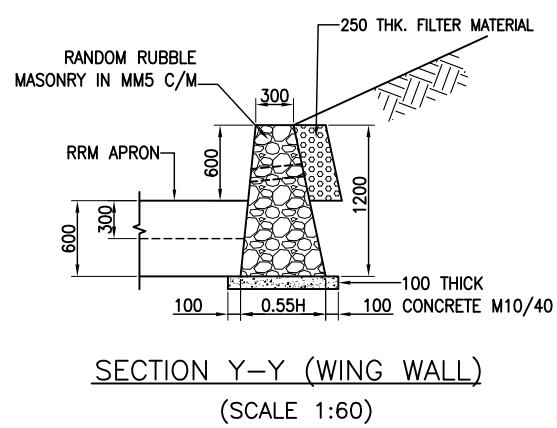
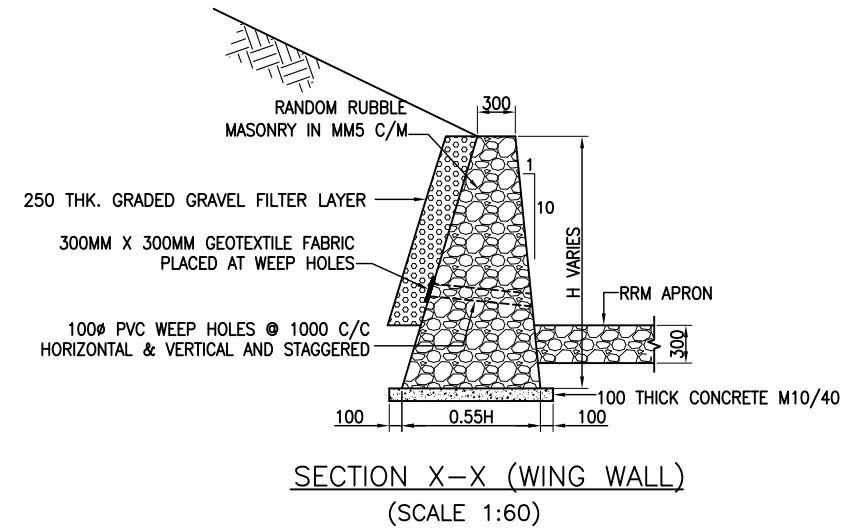
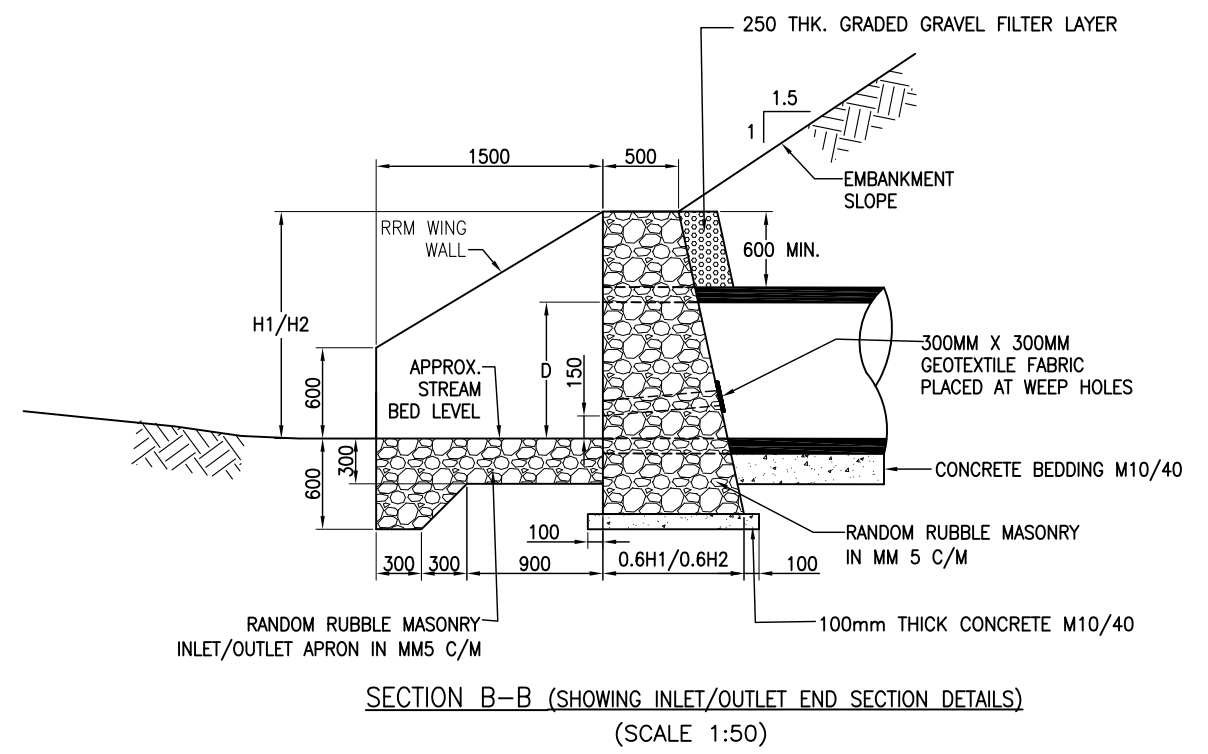
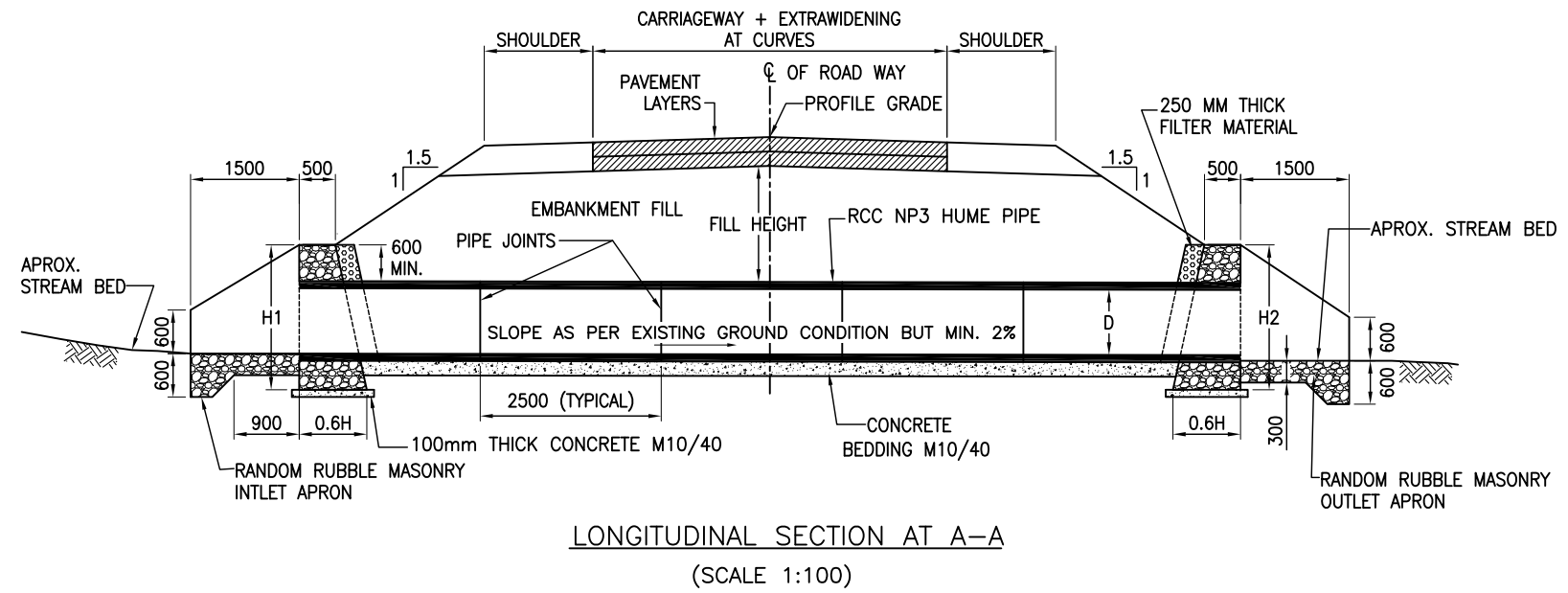
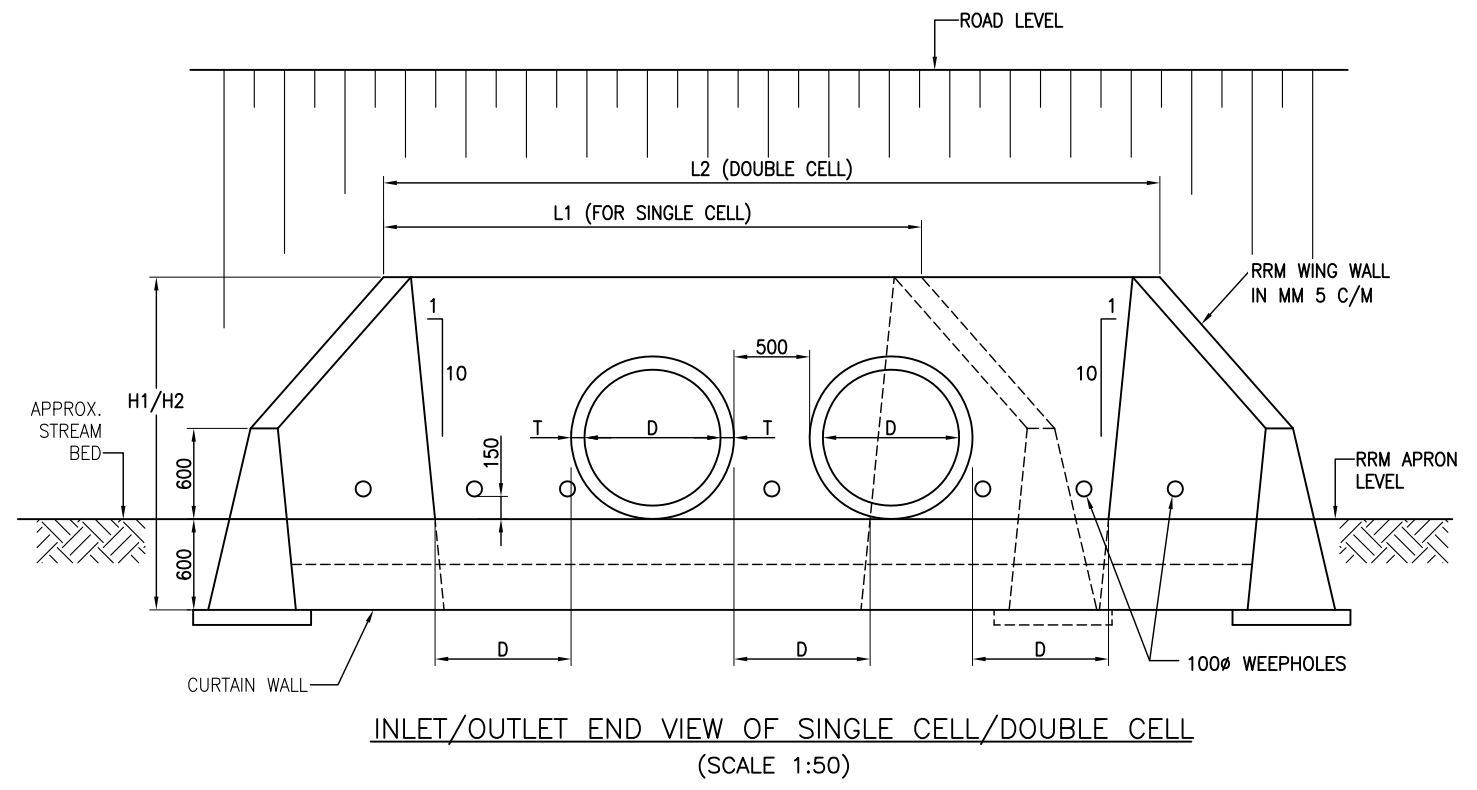
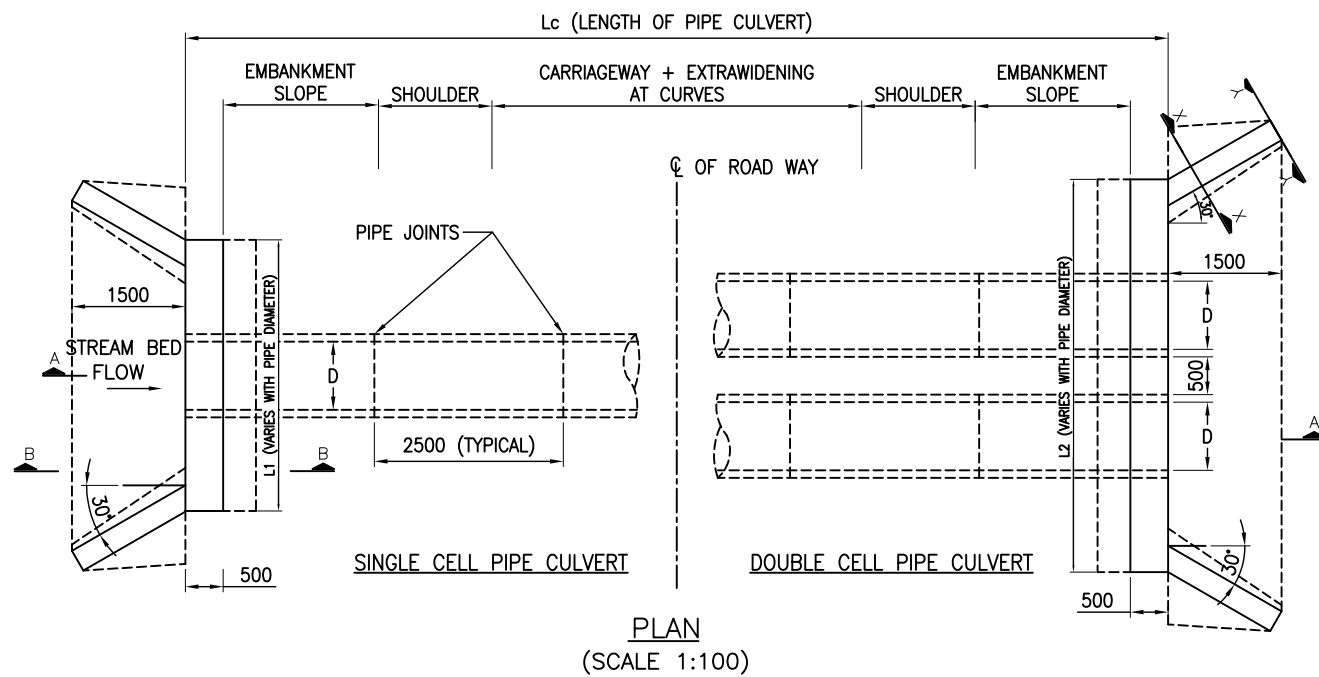
DRAWN BY:	REV. NO.	DATE	DESCRIPTION	SIGNATURE
Sd.				
DESIGNED BY:				
Sd.				
CHECKED BY:				
Sd.				
APPROVED BY:				
Sd.				

REVISIONS

NAME OF ROAD:
**Bijauri-Basdabara-Jamuni-Laxmipur-
Dakchin-Kurariya-Kanjawar-Kothari Road**

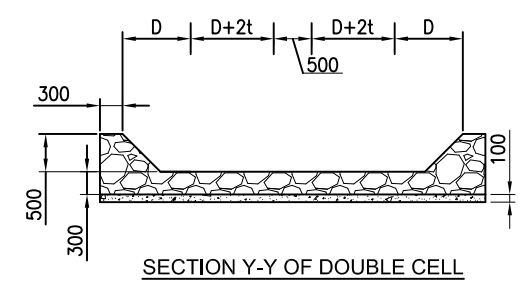
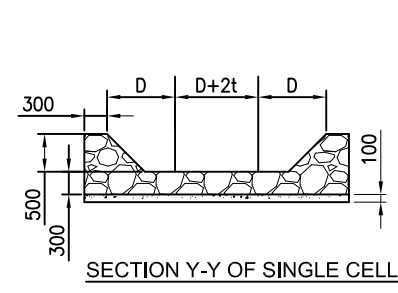
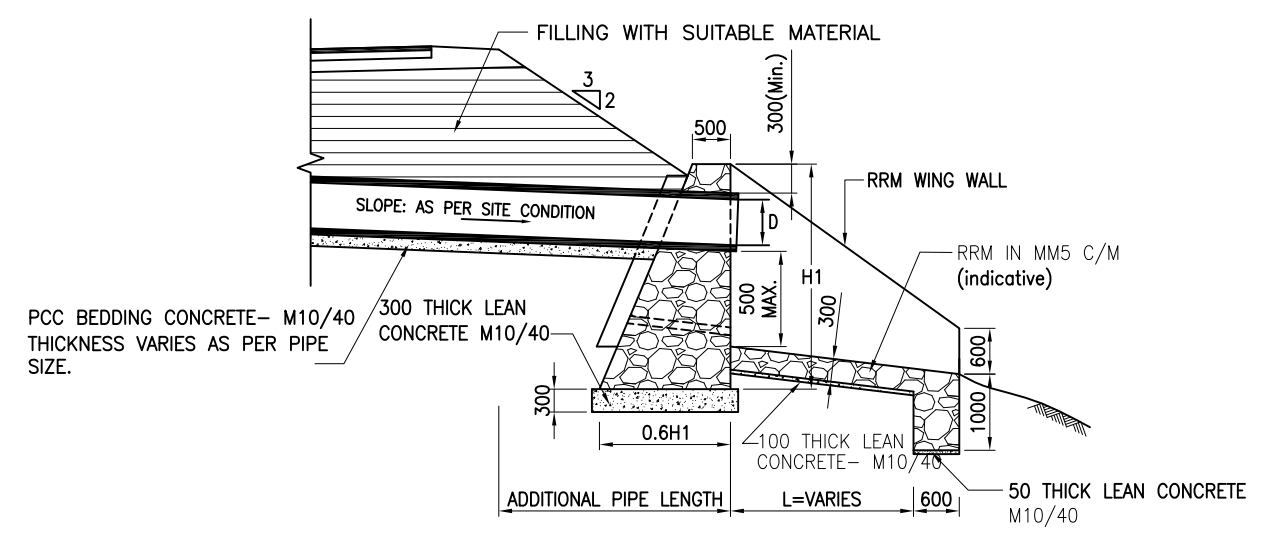
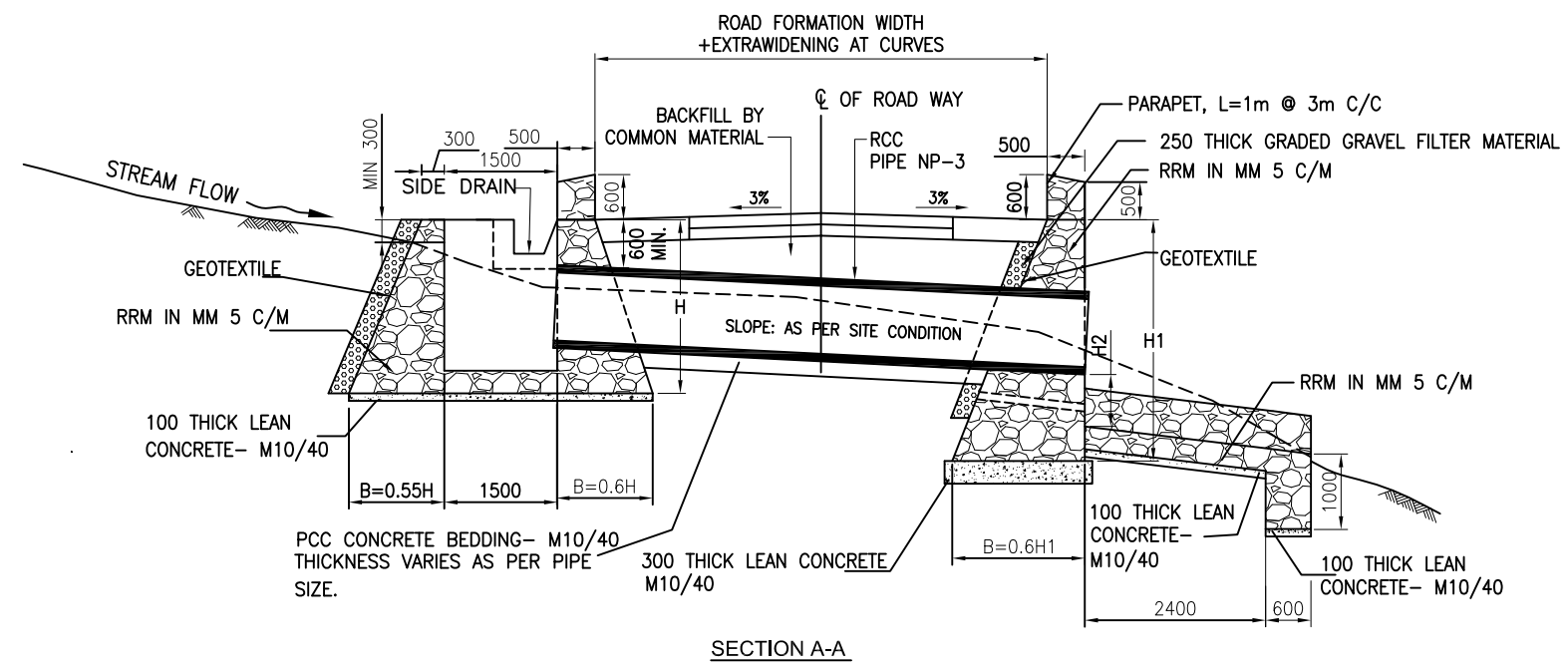
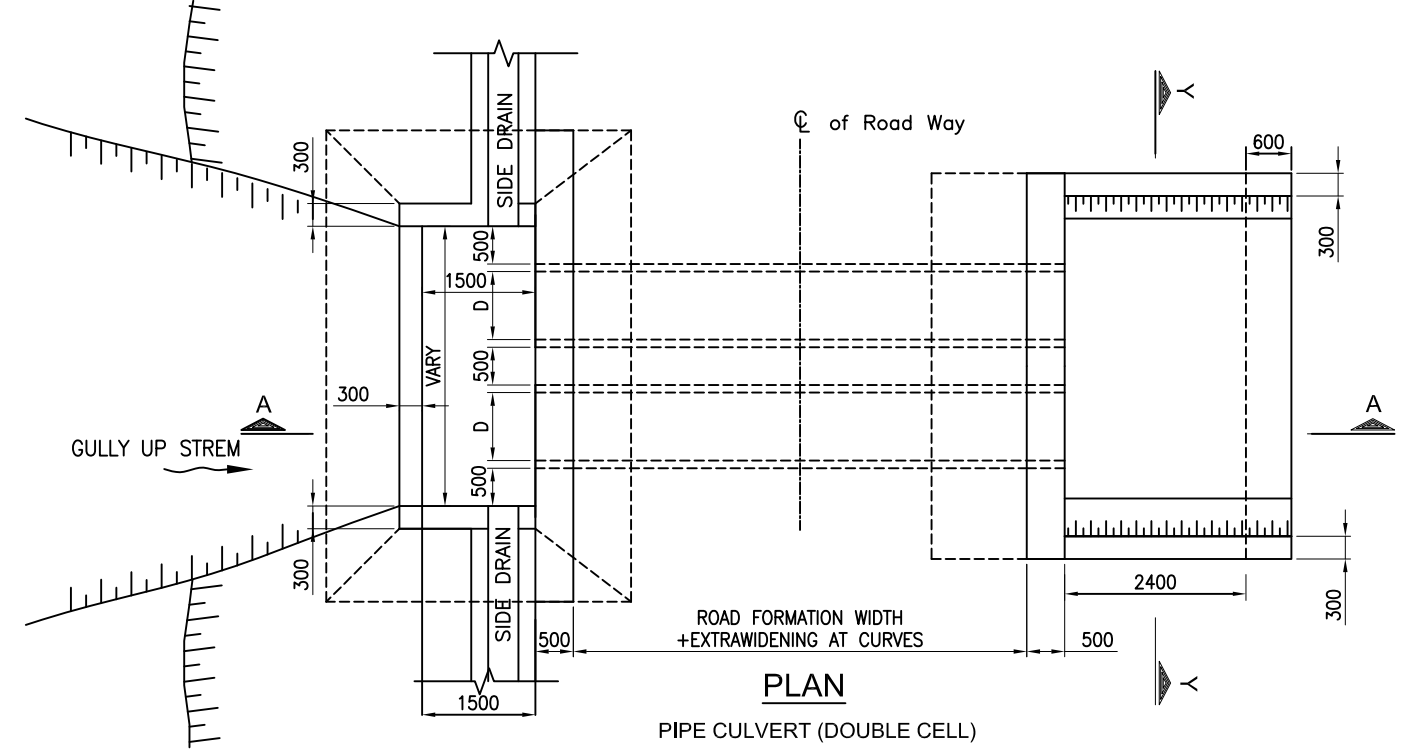
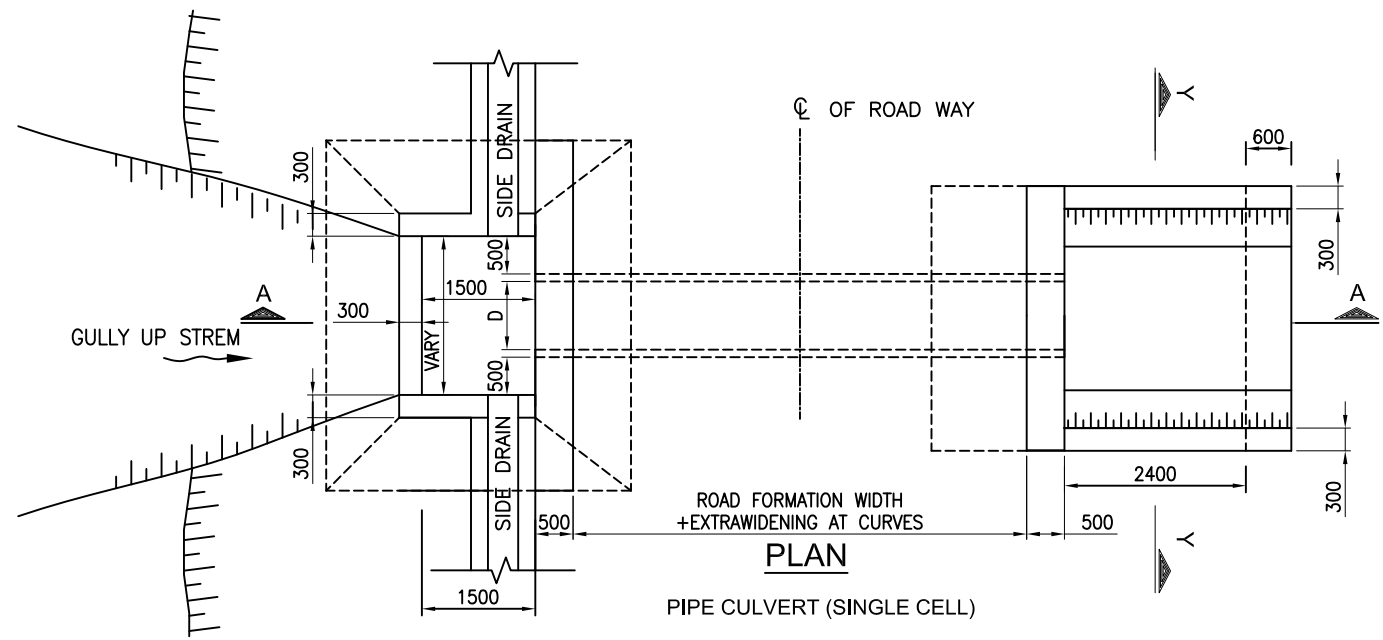
Dang District

DATE:
March 2022
DWG. NO.:
RCIP2/DNG/BBJ/SD
SHEET NO.:
3/17



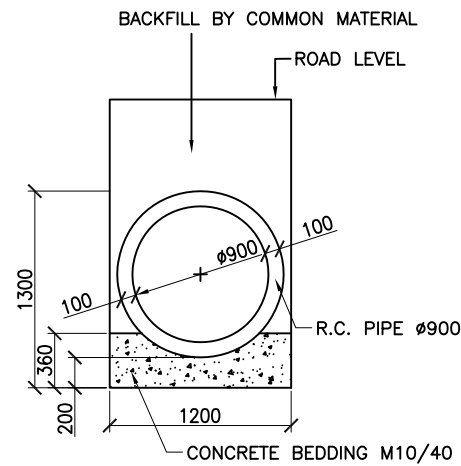
- NOTES:**
1. ALL WORKS SHOULD BE IN ACCORDANCE WITH STANDARD SPECIFICATION AND SPECIAL PROVISION.
 2. D=INSIDE DIAMETER OF PIPE. USE RCC PIPE NP-3.
 3. LENGTH OF THE CULVERT (Lc) VARIES WITH HEIGHT OF FILL ABOVE PIPE OR SHALL BE AS DIRECTED BY THE ENGINEER.
 4. LENGTHS OF HEAD WALLS L1, L2 VARY WITH PIPE DIAMETER. HEIGHTS OF HEAD WALLS H1, H2 VARY WITH PIPE DIAMETER AND ACTUAL SITE CONDITION OR AS DIRECTED BY THE ENGINEER.
 5. DIMENSION OF THE WING WALL WILL VARY AS PER ACTUAL SITE CONDITION OR SHALL BE AS DIRECTED BY THE ENGINEER.

Government of Nepal Ministry of Federal Affairs and General Administration Department of Local Infrastructure (DoLI) Rural Connectivity Improvement Project-phase 2 (DoLI/RCIP/DPR-04/2019)	CONSULTANTS: ITECO - INCLUSIVE JV Sitapaila Chowk, Ring Road	SCALE (m) AS SHOWN	SHEET TITLE: STANDARD DRAWINGS OF PIPE CULVERTS SINGLE & DOUBLE CELL [FOR ROADS IN EMBANKMENT]	REV. NO.	DATE	DESCRIPTION	SIGNATURE	NAME OF ROAD: Bijauri-Basdabara-Jamuni-Laxmipur- Dakchin-Kurariya-Kanjawar-Kothari Road Dang District	DATE: March 2022
				DRAWN BY:					
				CHECKED BY:				SHEET NO.:	
				APPROVED BY:					4/17
				REVISIONS					



- NOTES:
1. D=INSIDE DIAMETRE OF PIPE.
 2. USE RCC PIPE NP-3, D=VARIES
 3. HEIGHT OF STRUCTURES H, H1 & H2 VARIES AS PER SITE CONDITION.
 4. STONE MASONRY APRON SLOPE VARIES AS PER SITE CONDITION.
 5. ALL THE DIMENSIONS ARE IN MILLIMETRES UNLESS OTHERWISE MENTIONED.

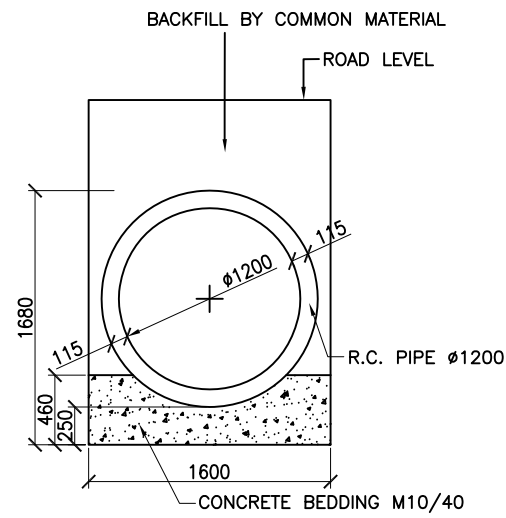
Government of Nepal Ministry of Federal Affairs and General Administration Department of Local Infrastructure (DoLI) Rural Connectivity Improvement Project-phase 2 (DoLI/RCIP/DPR-04/2019)	CONSULTANTS : ITECO - INCLUSIVE JV Sitapaila Chowk, Ring Road	SCALE (m) 	SHEET TITLE: STANDARD DRAWINGS OF PIPE CULVERTS WITH CATCHPIT [SINGLE & DOUBLE CELL] FOR HILL AREA	REV. NO.	DATE	DESCRIPTION	SIGNATURE	NAME OF ROAD: Bijauri-Basdabara-Jamuni-Laxmipur- Dakchin-Kurariya-Kanjawar-Kothari Road Dang District	DATE: March 2022
				DRAWN BY: DESIGNED BY: CHECKED BY: APPROVED BY:					
				REVISIONS					



PIPE CULVERT (Ø900)

WORK QUANTITIES (PER 10.0m)

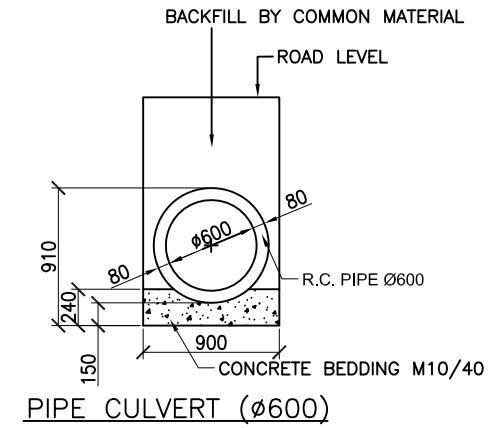
ITEM	UNIT	QUANTITY	REMARKS
R.C. PIPE (Ø900)	m	10.00	NP3
CONCRETE M10/40	m ³	3.46	
FORM WORK	m ²	7.20	
EXCAVATION	m ³	4.32	



PIPE CULVERT (Ø1200)

WORK QUANTITIES (PER 10.0m)

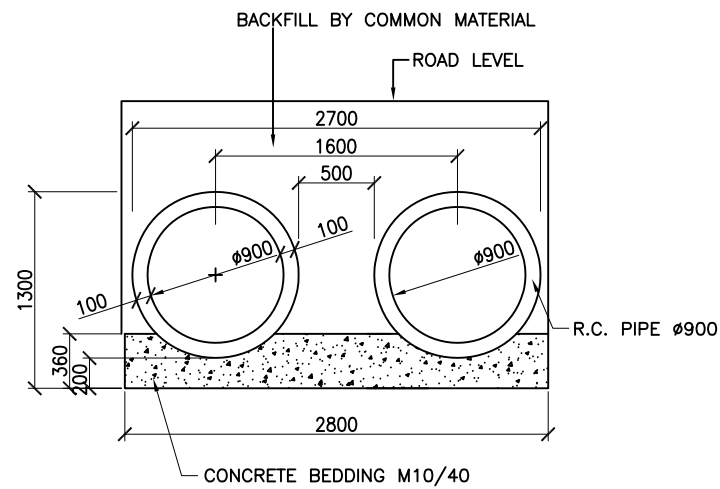
ITEM	UNIT	QUANTITY	REMARKS
R.C. PIPE (Ø1200)	m	10.00	NP3
CONCRETE M10/40	m ³	5.89	
FORM WORK	m ²	9.20	
EXCAVATION	m ³	7.36	



PIPE CULVERT (Ø600)

WORK QUANTITIES (PER 10.0m)

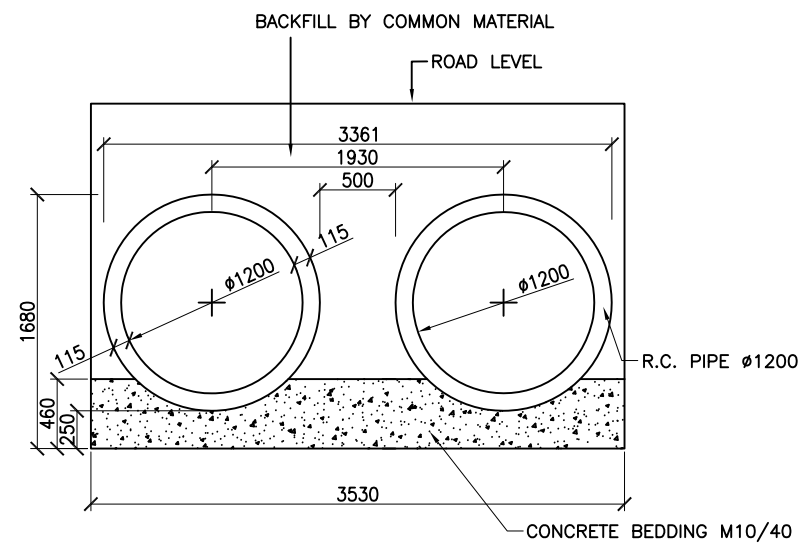
ITEM	UNIT	QUANTITY	REMARKS
R.C. PIPE (Ø600)	m	10.00	NP3
CONCRETE M10	m ³	1.93	
FORM WORK	m ²	5.20	
EXCAVATION	m ³	11.51	



PIPE CULVERT (Ø900 X 2)

WORK QUANTITIES (PER 10.0m)

ITEM	UNIT	QUANTITY	REMARKS
R.C. PIPE (Ø900)	m	20.00	NP3
CONCRETE M10/40	m ³	8.36	
FORM WORK	m ²	7.20	
EXCAVATION	m ³	10.08	



PIPE CULVERT (Ø1200 X 2)

WORK QUANTITIES (PER 10.0m)

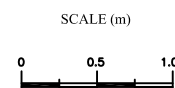
ITEM	UNIT	QUANTITY	REMARKS
R.C. PIPE (Ø1200)	m	20.00	NP3
CONCRETE M10/40	m ³	13.62	
FORM WORK	m ²	9.20	
EXCAVATION	m ³	16.24	

- NOTE:**
1. ALL DIMENSION ARE IN MM UNLESS STATED OTHERWISE.
 2. IN NATIONAL HIGHWAYS CONCRETE BEDDING IS USED AND IN OTHER ROADSGRAVEL BEDDING MAY ALSO BE USED IF DIRECTED BY THE ENGINEER.
 3. RCC PIPES SHALL BE OF CLASS NP-3.

Government of Nepal
Ministry of Federal Affairs and General Administration
Department of Local Infrastructure (DoLI)
Rural Connectivity Improvement Project-phase 2
(DoLI/RCIP/DPR-04/2019)

CONSULTANTS :

ITECO - INCLUSIVE JV
Sitapaila Chowk, Ring Road



SHEET TITLE:

STANDARD DRAWINGS OF
PIPE CULVERTS
[SINGLE & DOUBLE CELL]

	REV. NO.	DATE	DESCRIPTION	SIGNATURE
DRAWN BY:				
DESIGNED BY:				
CHECKED BY:				
APPROVED BY:				
REVISIONS				

NAME OF PROJECT:

Bijauri-Basdabara-Jamuni-Laxmipur-
Dakchin-Kurariya-Kanjawar-Kothari Road

Dang District

DATE:

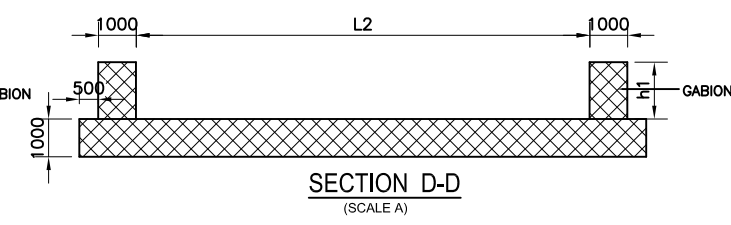
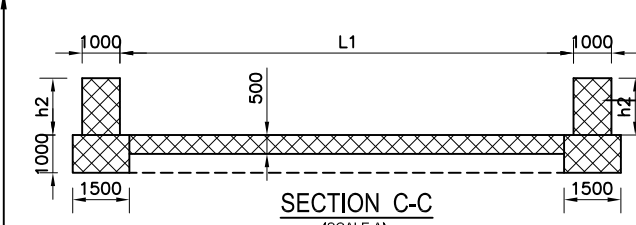
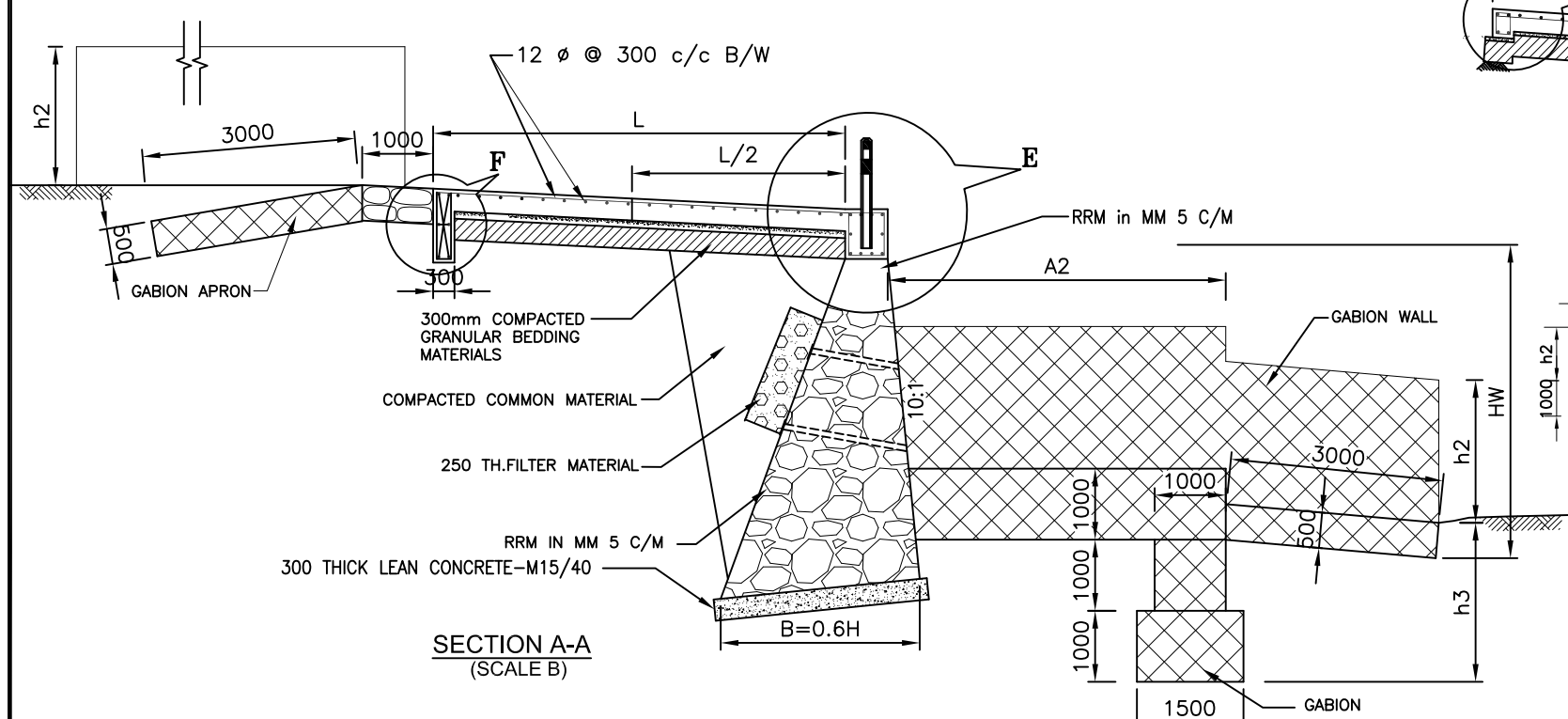
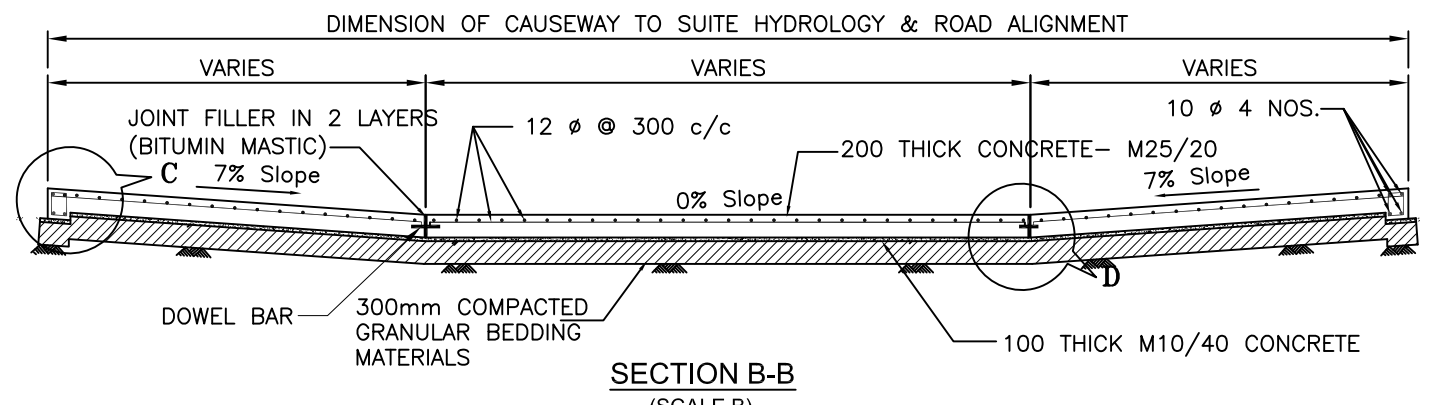
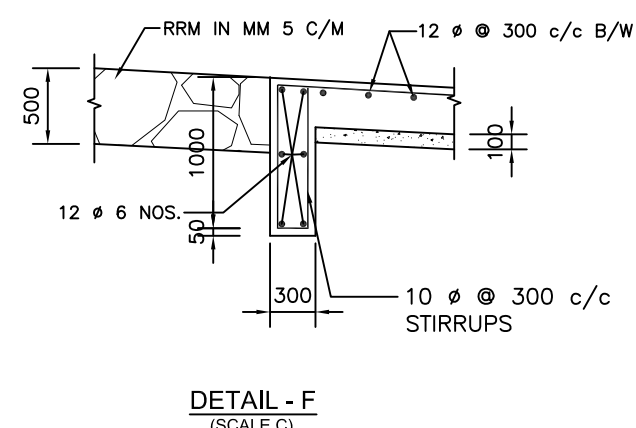
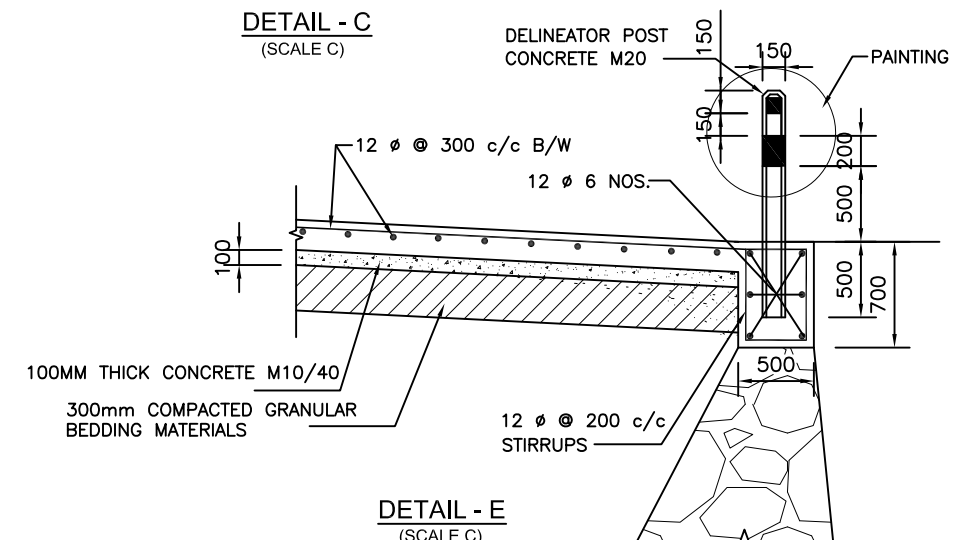
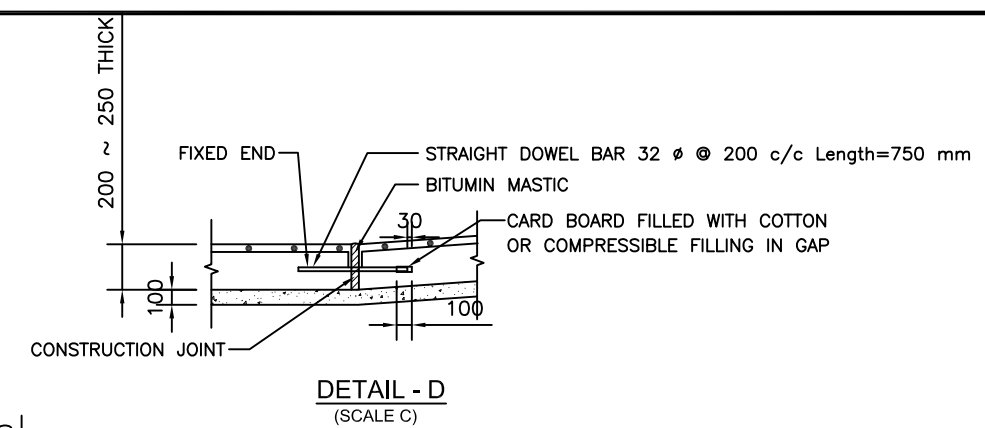
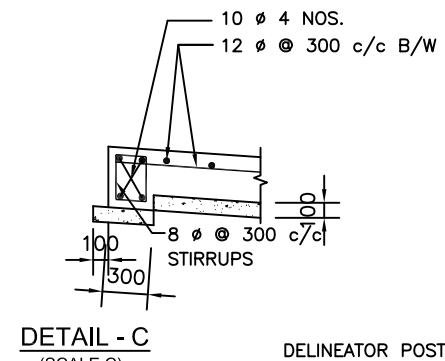
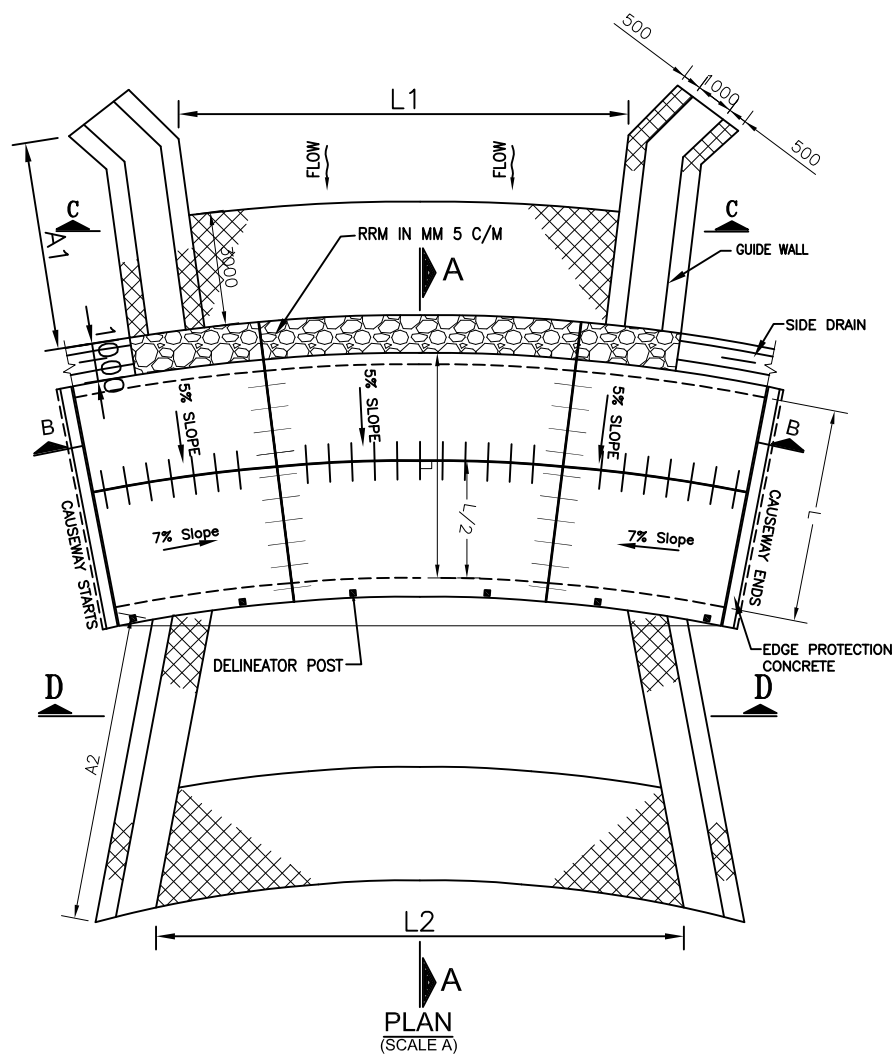
March 2022

DWG. NO.:

RCIP2/DNG/BBJ/SD

SHEET NO.:

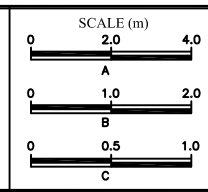
6/17



- NOTES:
1. CONCRETE MIX USED IS M25/20
 2. GABION LENGTH L1/L2 AND HEIGHT h1, h2 AND h3 VARIES
 3. APRON A3 VARIES
 4. GUIDE WALL A1/A2 VARIES
 5. CHECKDAM WILL BE PROVIDED AT UP-STREAM, WHERE REQUIRED AS PER SITE SPECIFIC DESIGN..
 6. ALL DIMENSIONS SHALL BE IN MILLIMETER UNLESS OTHERWISE STATED.
 7. FOR HIGHER GRADE MORE THAN 7%, SITE SPECIFIC CAUSEWAY IS TO BE PROPOSED BASED ON DISCHARGE CAPACITY.
 8. CONCRETE SLAB THICKNESS IN GENERAL IS 200 MM. FOR SPECIFIC DESIGN ROAD NOTE 29 IS TO BE REFERRED TO DETERMINE THE SLAB THICKNESS BASED ON THE CUMULATIVE NUMBER OF STANDARD AXLES.
 9. SITE LAYOUT AND DIMENSIONS SHALL BE AS PER SITE CONDITION AND AS INSTRUCTED BY THE ENGINEER

Government of Nepal
 Ministry of Federal Affairs and General Administration
 Department of Local Infrastructure (DoLI)
 Rural Connectivity Improvement Project-phase 2
 (DoLI/RCIP/DPR-04/2019)

CONSULTANTS:
ITECO - INCLUSIVE JV
 Sitapaila Chowk, Ring Road



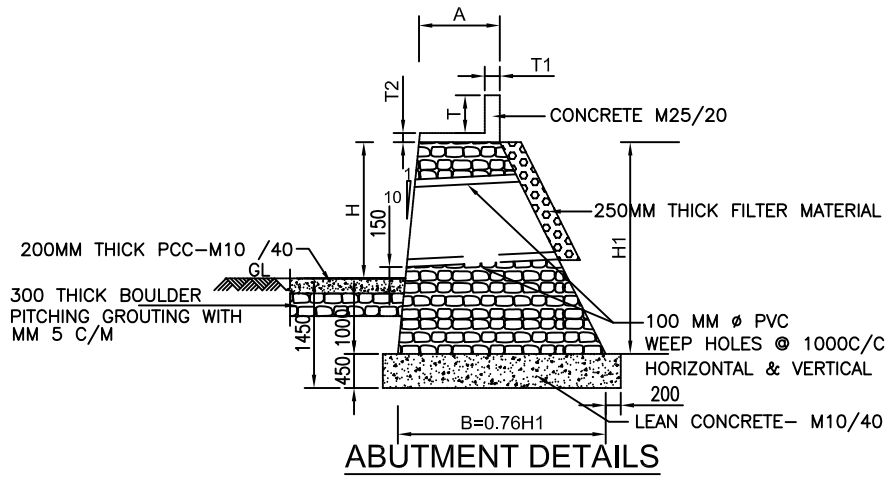
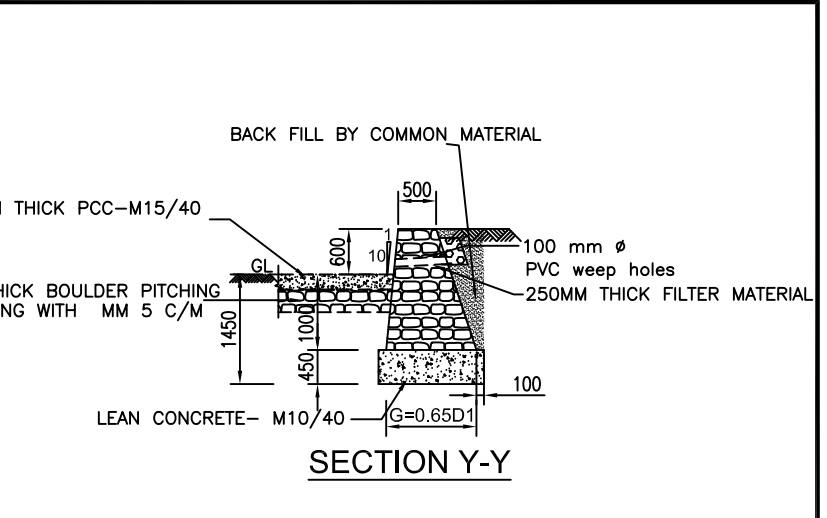
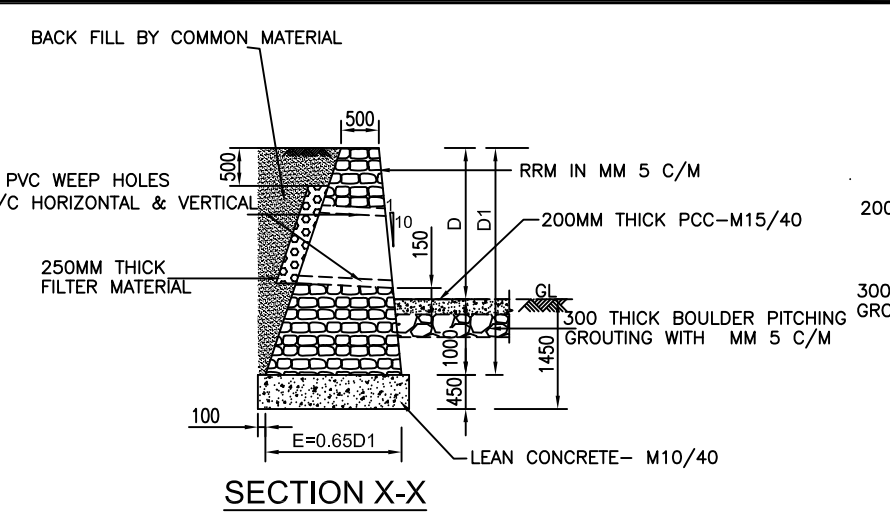
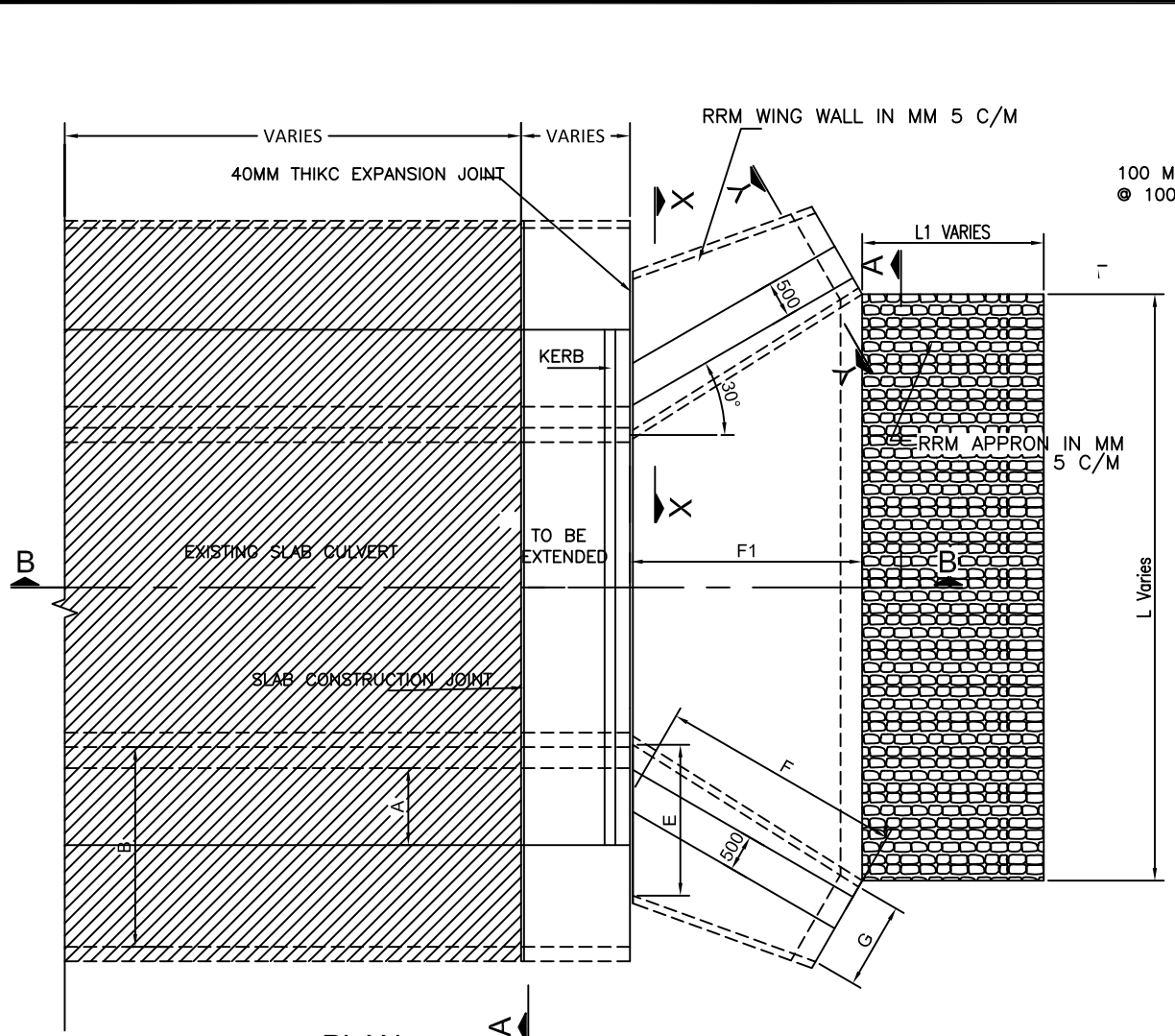
SHEET TITLE:
 STANDARD DRAWINGS OF
 CAUSEWAY

REV. NO.	DATE	DESCRIPTION	SIGNATURE

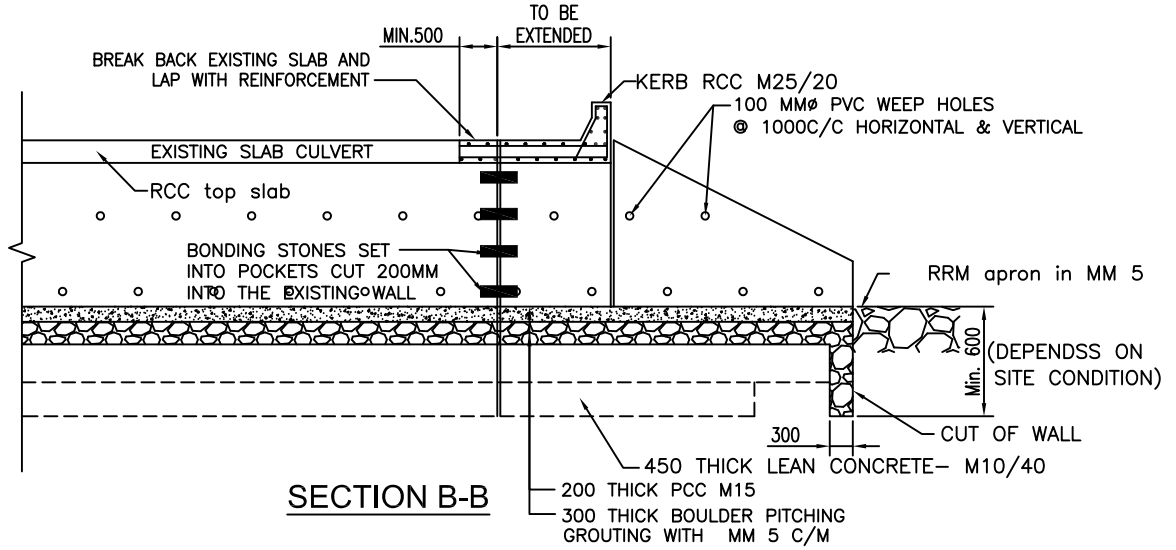
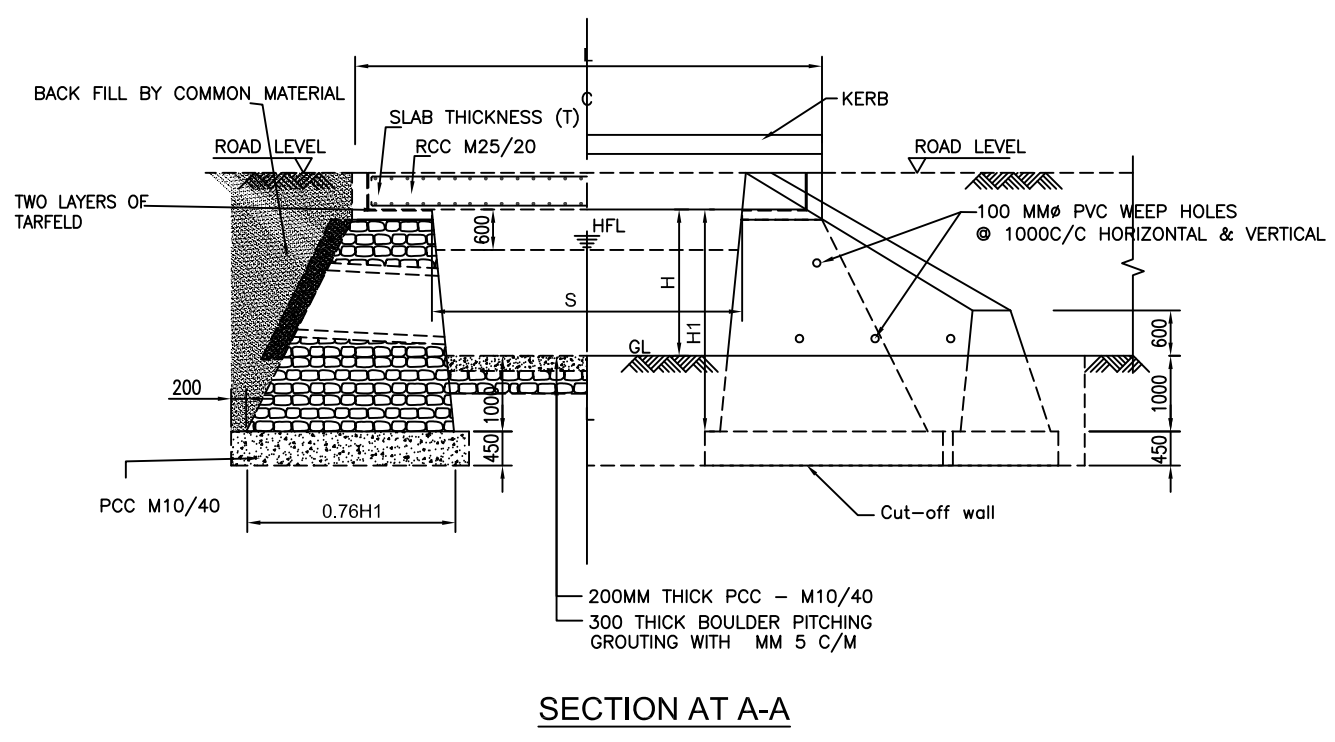
REVISIONS

NAME OF ROAD:
**Bijauri-Basdabara-Jamuni-Laxmipur-
 Dakchin-Kurariya-Kanjawar-Kothari Road**
 Dang District

DATE:
 March 2022
 DWG. NO.:
 RCIP2/DNG/BBJ/SD
 SHEET NO.:
 7/17



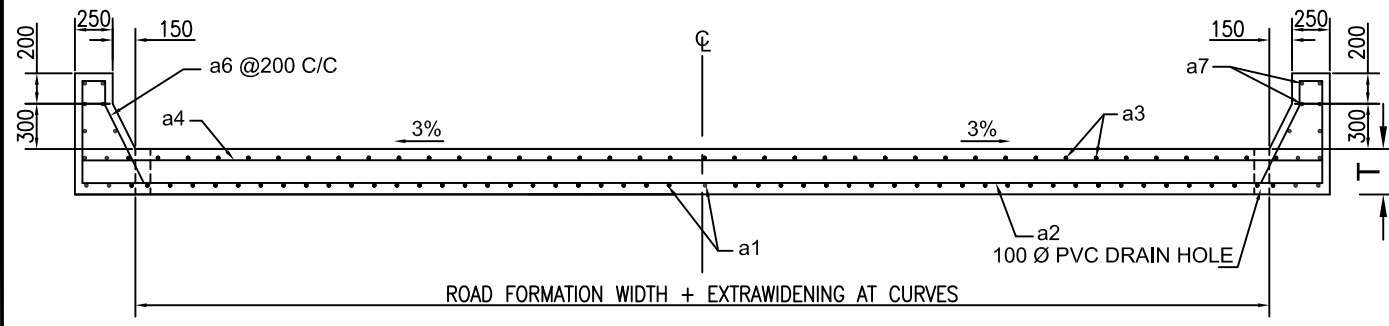
- NOTES:**
1. CONCRETE mix should be M25/20 or as shown in the drawing.
 2. All edges are to be chamfered 100 mm x 100 mm.
 3. Mortar mix should be MM 5.
 4. All Dimensions are in mm.
 5. Extension to be founded on suitable material placed in layers of 200 max. thickness compacted to 95% HDP.
 6. Dimension of extension to match existing structure.
 7. Slab to be extended either on one side or on both sides to match geometry of road alignment and as per site condition.
 8. All dimensions in millimetres except the dimensions in table.



CULVERT DIMENSIONS								
CULVERT TYPE	SIZE	DIMENSIONS(m)						
		S X H	H1	T	T1	T2	A	B
I	1.00x2.00	3.00	0.25	0.20	0.12	0.52	2.28	2.04
II	2.00x2.00	3.00	0.25	0.20	0.12	0.65	2.28	3.30
III	3.00x3.00	4.00	0.30	0.20	0.15	0.77	3.04	4.54
IV	4.00x3.00	4.00	0.40	0.20	0.15	0.77	3.04	5.54
V	5.00x3.00	4.00	0.50	0.20	0.20	1.00	3.04	7.00
VI	6.00x3.00	4.00	0.55	0.25	0.25	1.00	3.04	8.40

WINGWALL DIMENSIONS							
CULVERT TYPE	SIZE	DIMENSIONS(m)					
		S X H	D	D1	E	F	F1
I	1.00x2.00	2.00	3.00	1.95	2.88	2.48	1.39
II	2.00x2.00	2.00	3.00	1.95	2.88	2.48	1.39
III	3.00x3.00	3.00	4.00	2.60	4.68	4.05	1.39
IV	4.00x3.00	3.00	4.00	2.60	4.85	4.20	1.39
V	5.00x3.00	3.00	4.00	2.60	5.02	4.35	1.39
VI	5.00x3.00	3.00	4.00	2.60	5.12	4.43	1.39

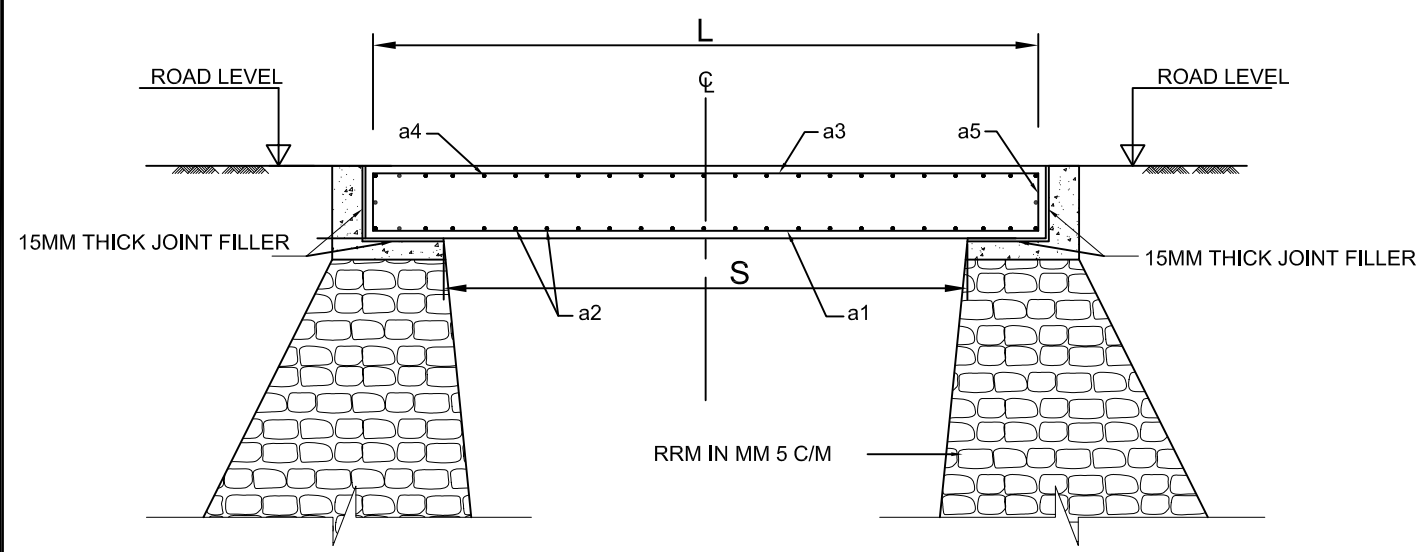
<p>Government of Nepal</p> <p>Ministry of Federal Affairs and General Administration</p> <p>Department of Local Infrastructure (DoLI)</p> <p>Rural Connectivity Improvement Project-phase 2</p> <p>(DoLI/RCIP/DPR-04/2019)</p>	<p>CONSULTANTS:</p> <p>ITECO - INCLUSIVE JV</p> <p>Sitapaila Chowk, Ring Road</p>	<p>SCALE (m)</p>	<p>SHEET TITLE:</p> <p>STANDARD DRAWINGS OF</p> <p>EXTENSION OF SLAB CULVERT</p>	<p>DRAWN BY:</p>	<p>REV. NO.</p>	<p>DATE</p>	<p>DESCRIPTION</p>	<p>SIGNATURE</p>	<p>NAME OF PROJECT:</p> <p>Bijauri-Basdabara-Jamuni-Laxmipur-Dakchin-Kurariya-Kanjawar-Kothari Road</p> <p>Dang District</p>	<p>DATE:</p> <p>March 2022</p>
				<p>DESIGNED BY:</p>	<p>REVISIONS</p>					<p>DWG. NO.:</p> <p>RCIP2/DNG/BBJ/SD</p>
				<p>CHECKED BY:</p>						<p>SHEET NO.:</p> <p>8/17</p>
				<p>APPROVED BY:</p>						



TRANSVERSE SECTION

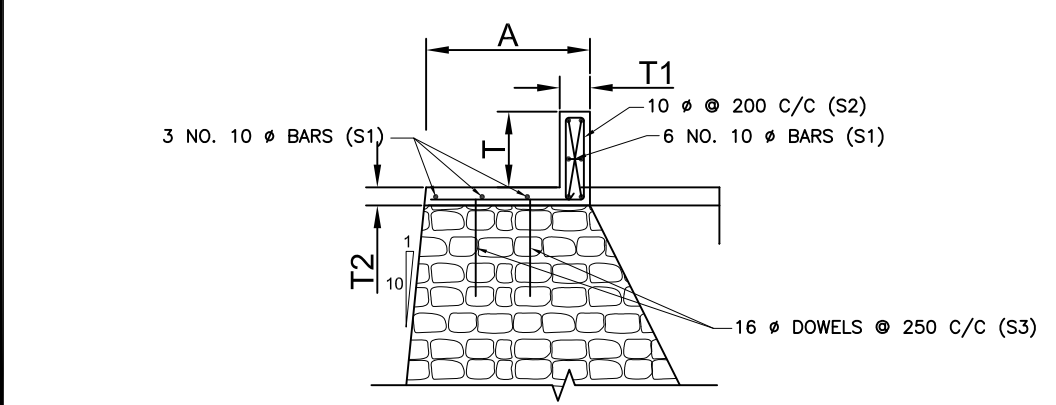
CULVERT TYPE	BAR BENDING SCHEDULE OF KERB							
	MARK a6				MARK a7			
	DIA (mm)	NO.	LENGTH	TOTAL LENGTH	DIA (mm)	NO.	LENGTH	TOTAL LENGTH
I	10	22	1.74	38.17	10	12	1.96	23.52
II	10	36	1.74	62.46	10	12	3.22	38.64
III	10	48	1.74	83.28	10	12	4.46	53.52
IV	10	56	1.74	97.16	10	12	5.44	65.28
V	10	70	1.74	121.45	10	12	6.90	82.80
VI	10	80	1.74	139.20	10	12	7.70	92.40

NOTES:
 1. TMT BARS having characteristic strength 500 N/mm² should be used.
 2. All the dimensions are in millimetres except the dimensions in table.



LONGITUDINAL SECTION

CULVERT TYPE	BAR BENDING SCHEDULE OF ABUTMENT SEAT PER LINEAR METRE (FOR ONE ABUTMENT SEAT)											
	MARK S1				MARK S2				MARK S3			
	DIA (mm)	NO.	LENGTH	TOTAL LENGTH	DIA (mm)	NO.	LENGTH	TOTAL LENGTH	DIA (mm)	NO.	LENGTH	TOTAL LENGTH
I	10	18.00	1.00	9	10	5	1.25	6.25	16	8	0.60	4.80
II	10	18.00	1.00	9	10	5	1.26	6.32	16	8	0.60	4.80
III	10	18.00	1.00	9	10	5	1.58	7.90	16	8	0.60	4.80
IV	10	18.00	1.00	9	10	5	1.94	9.69	16	8	0.60	4.80
V	10	18.00	1.00	9	10	5	2.23	11.15	16	8	0.60	4.80
V	10	18.00	1.00	9	10	5	2.27	11.35	16	8	0.60	4.80

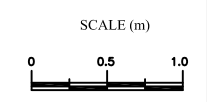


ABUTMENT SEAT DETAIL

CULVERT TYPE	BAR BENDING SCHEDULE PER ONE LINEAR METRE OF CULVERT (EXCLUDING KERB & ABUTMENT SEAT)																								
	MARK a1					MARK a2					MARK a3					MARK a4					MARK a5				
	DIA (mm)	SPACING	NO. REQD./PER LINEAR METRE	L	DIA	SPACING	NO. REQD./PER LINEAR METRE	L	DIA	SPACING	NO. REQD./PER LINEAR METRE	L	DIA	SPACING	NO. REQD./PER LINEAR METRE	L	DIA	SPACING	NO. REQD./PER LINEAR METRE	L					
I	12	140	7.14	1.54	12	300	3.33	8.20	10	300	3.33	1.54	10	300	3.33	8.20	12	300	3.33	8.20					
II	12	120	8.33	2.80	12	300	3.33	8.20	10	300	3.33	2.80	10	300	3.33	8.20	12	300	3.33	8.20					
III	16	150	6.67	4.04	12	300	3.33	8.20	10	300	3.33	4.04	10	300	3.33	8.20	12	300	3.33	8.20					
IV	20	150	6.67	6.04	12	200	5.00	8.20	10	200	5.00	6.04	10	200	2.00	8.20	12	300	3.33	8.20					
V	20	130	7.69	6.50	12	180	5.56	8.20	12	300	3.33	6.50	12	300	3.33	8.20	12	300	3.33	8.20					
VI	25	150	6.67	7.80	12	150	6.67	8.20	12	200	5.00	7.80	12	200	5.00	8.20	12	200	5.00	8.20					

Government of Nepal
 Ministry of Federal Affairs and General Administration
 Department of Local Infrastructure (DoLI)
Rural Connectivity Improvement Project-phase 2
 (DoLI/RCIP/DPR-04/2019)

CONSULTANTS:
ITECO - INCLUSIVE JV
 Sitapaila Chowk, Ring Road

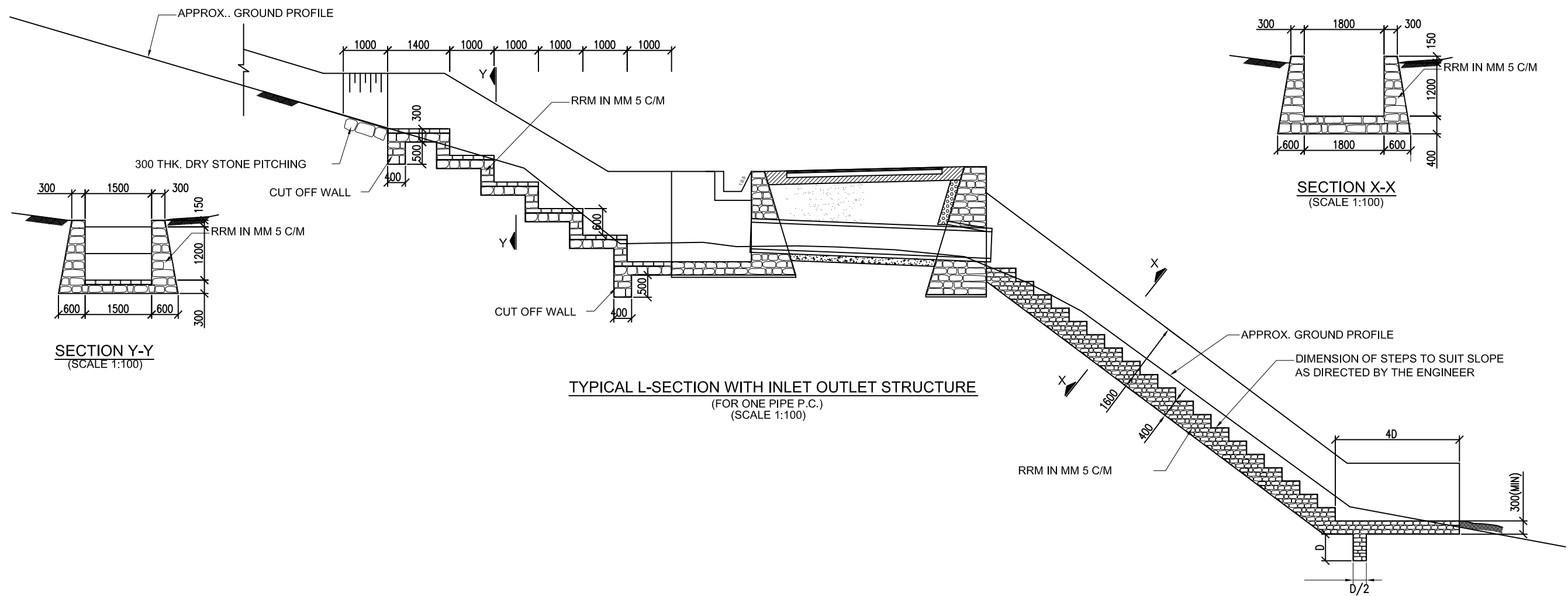


SHEET TITLE:
STANDARD DRAWINGS OF
 EXTENSION OF
 EXISTING SLAB CULVERT
 [BAR BENDING SCHEDULE]

REV. NO.	DATE	DESCRIPTION	SIGNATURE

NAME OF PROJECT:
Bijauri-Basdabara-Jamuni-Laxmipur-
Dakchin-Kurariya-Kanjawar-Kothari Road
Dang District

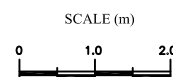
DATE:
 March 2022
 DWG. NO.:
 RCIP2/DNG/BBJ/SD
 SHEET NO.:
 9/17



TYPICAL L-SECTION WITH INLET OUTLET STRUCTURE
(FOR ONE PIPE P.C.)
(SCALE 1:100)

Government of Nepal
Ministry of Federal Affairs and General Administration
Department of Local Infrastructure (DoLI)
Rural Connectivity Improvement Project-phase 2
(DoLI/RCIP/DPR-04/2019)

CONSULTANTS:
ITECO - INCLUSIVE JV
Sitapaila Chowk, Ring Road



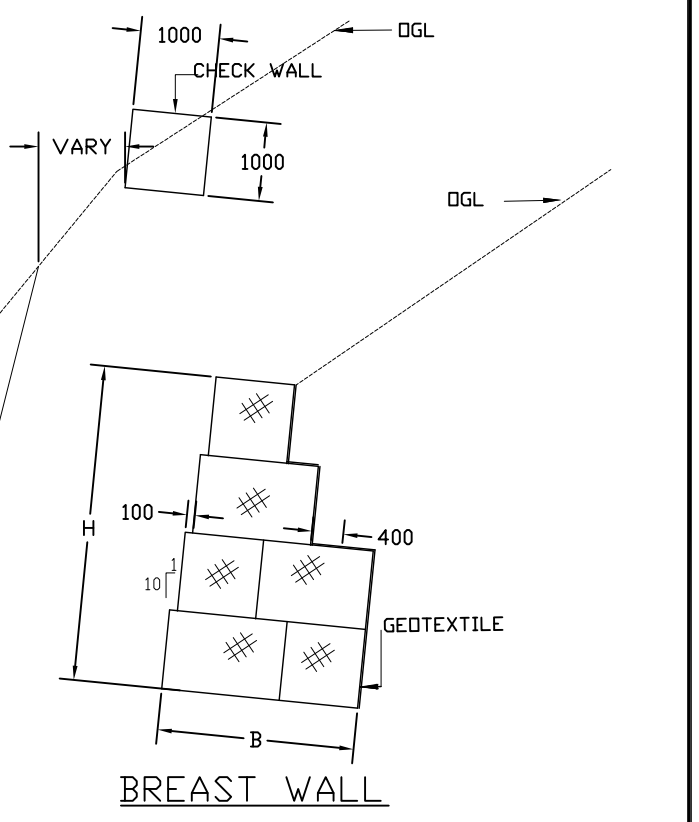
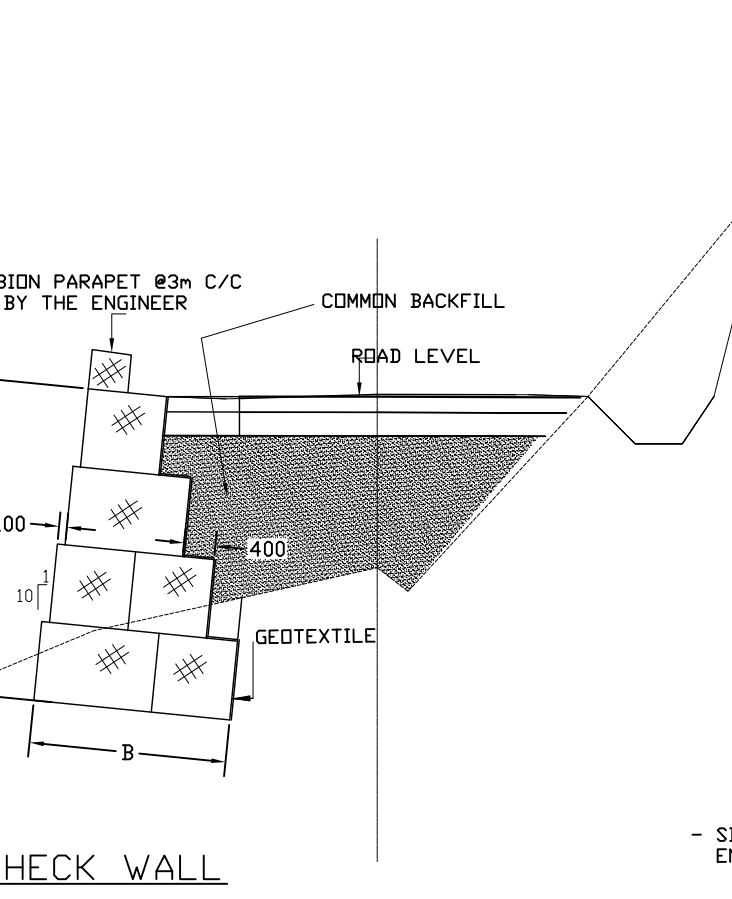
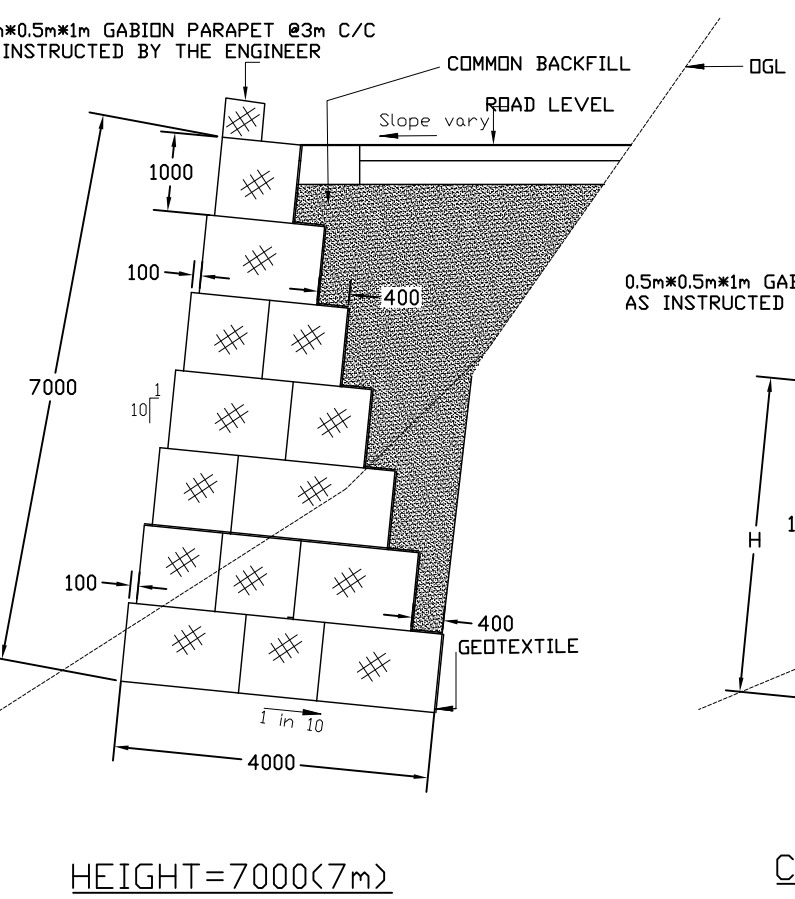
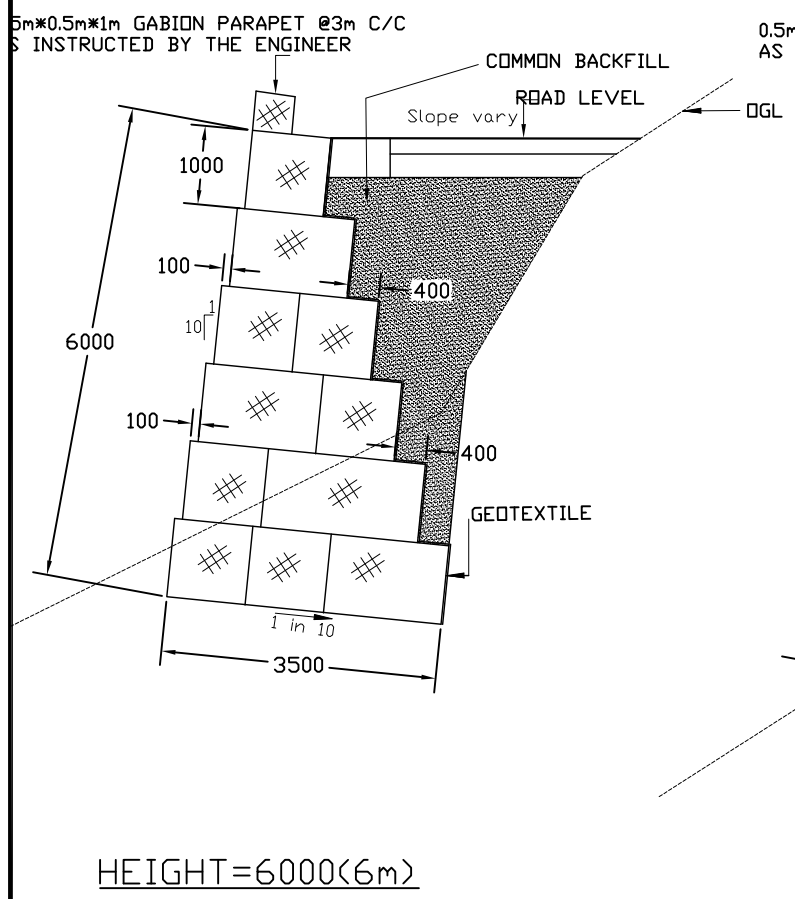
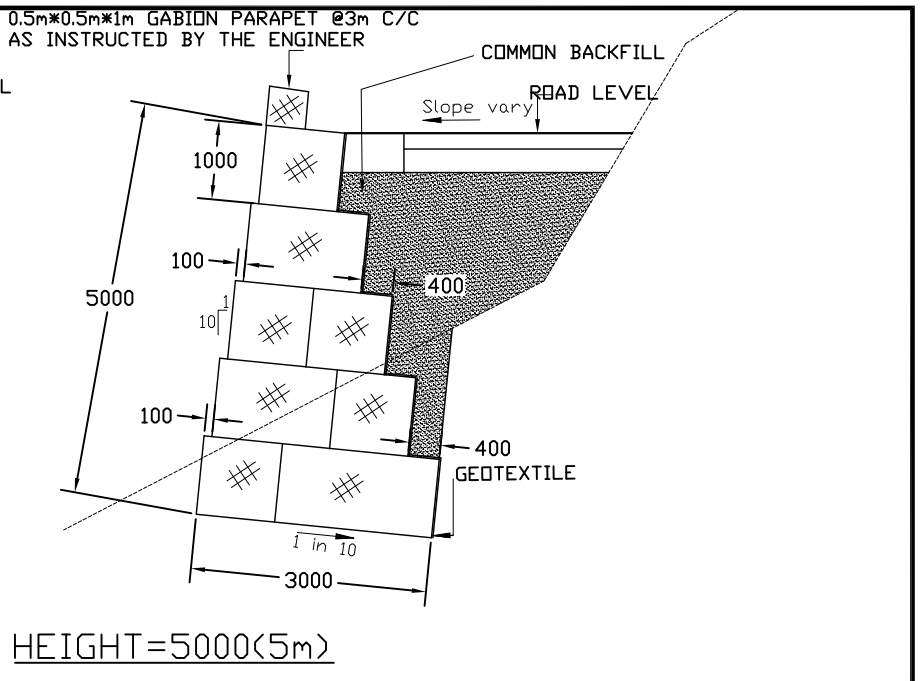
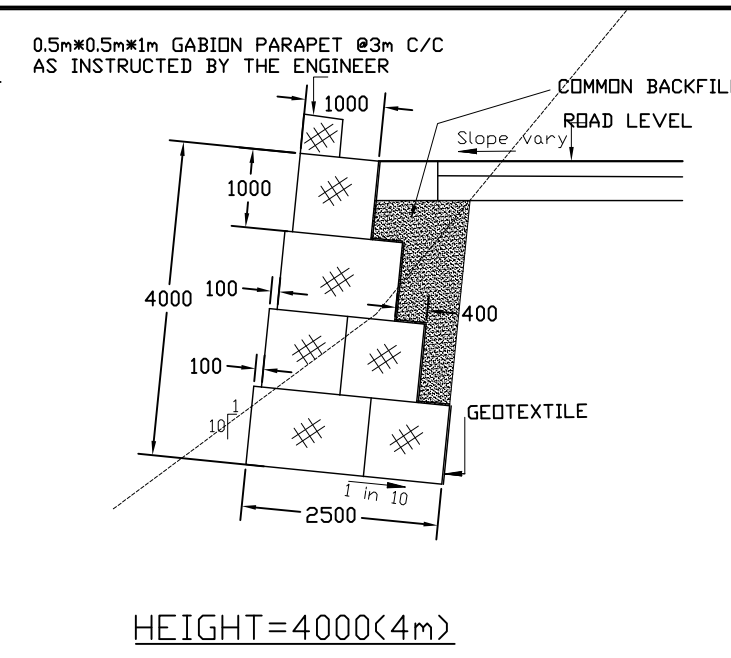
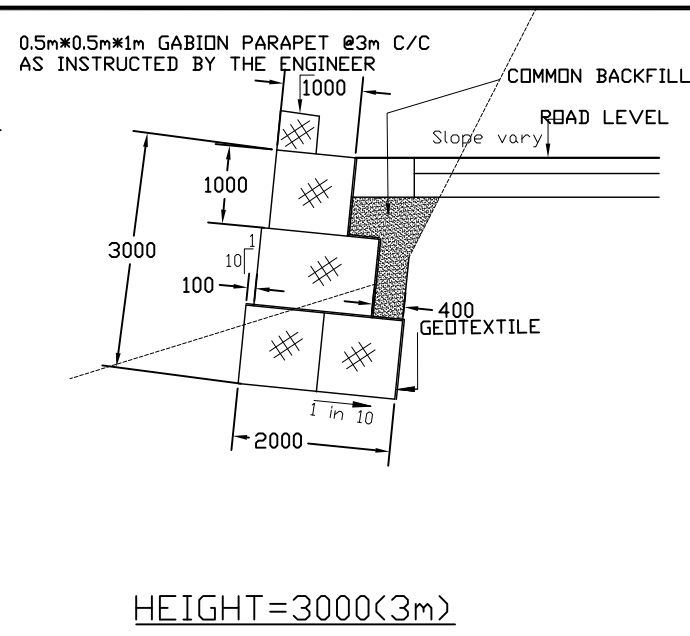
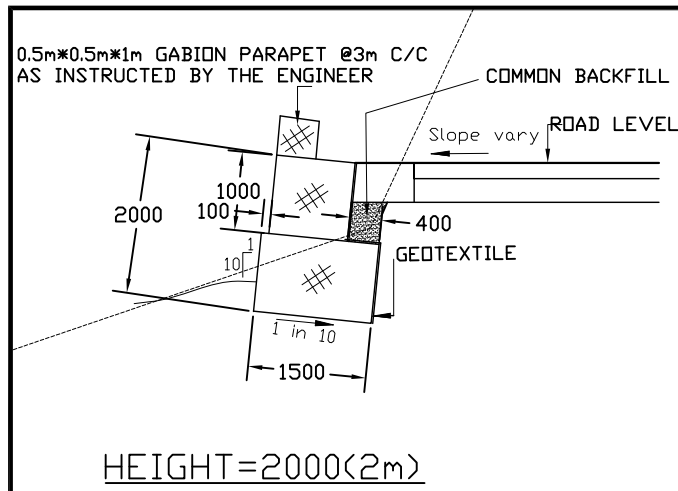
SHEET TITLE:
STANDARD DRAWINGS OF
PROTECTION WORKS

	REV. NO.	DATE	DESCRIPTION	SIGNATURE
DRAWN BY:				
DESIGNED BY:				
CHECKED BY:				
APPROVED BY:				
REVISIONS				

NAME OF PROJECT:
**Bijauri-Basdabara-Jamuni-Laxmipur-
Dakchin-Kurariya-Kanjawar-Kothari Road**

Dang District

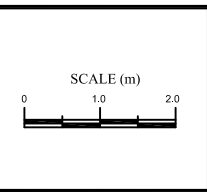
DATE:
March 2022
DWG. NO.:
RCIP2/DNG/BBJ/SD
SHEET NO.:
10/17



- SITE LAYOUT AND DIMENSIONS SHALL BE AS DIRECTED BY THE ENGINEER
- ALL DIMENSIONS ARE IN MM UNLESS OTHERWISE SPECIFIED.
- ROCK FOUNDATIONS SHALL BE TRIMMED/ CUT LEVEL OR TREATED AS OTHERWISE INSTRUCTED BY THE ENGINEER

Government of Nepal
 Ministry of Federal Affairs and General Administration
 Department of Local Infrastructure (DoLI)
 Rural Connectivity Improvement Project-phase 2
 (DoLI/RCIP/DPR-04/2019)

CONSULTANTS:
ITECO - INCLUSIVE JV
 Sitapaila Chowk, Ring Road



SHEET TITLE:
 STANDARD DRAWINGS OF
 GABION WALL

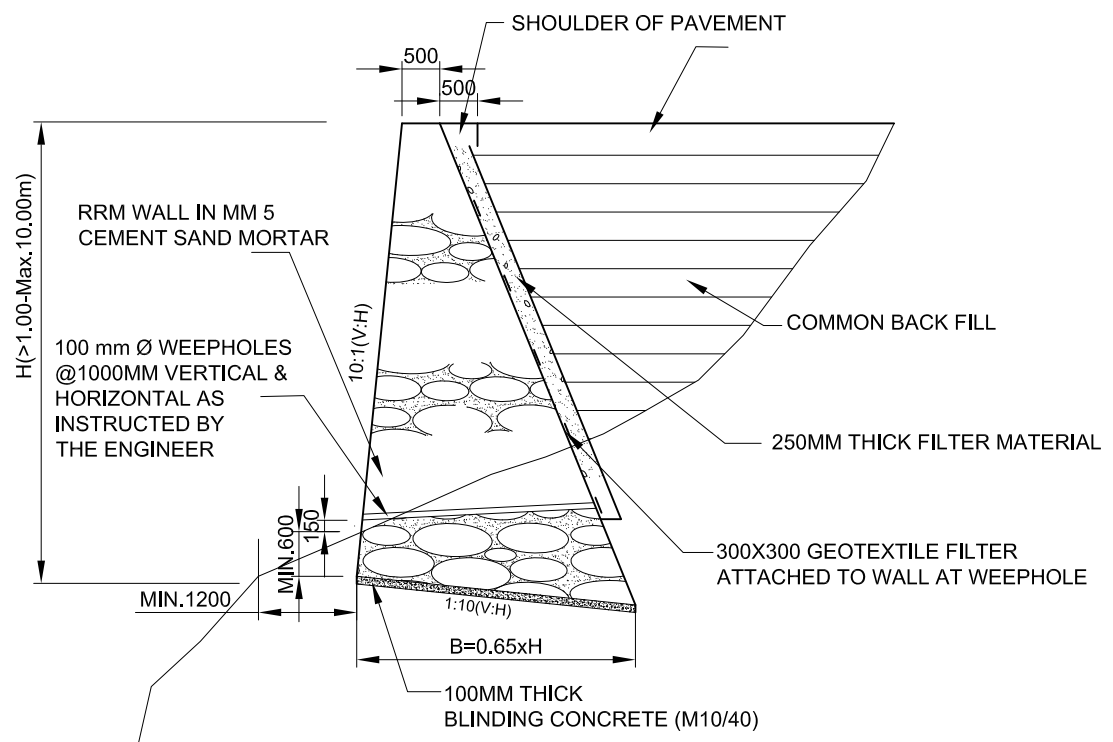
REV. NO.	DATE	DESCRIPTION	SIGNATURE
DRAWN BY:			
DESIGNED BY:			
CHECKED BY:			
APPROVED BY:			
REVISIONS			

NAME OF PROJECT:
**Bijauri-Basdabara-Jamuni-Laxmipur-
 Dakchin-Kurariya-Kanjawar-Kothari Road**
 Dang District

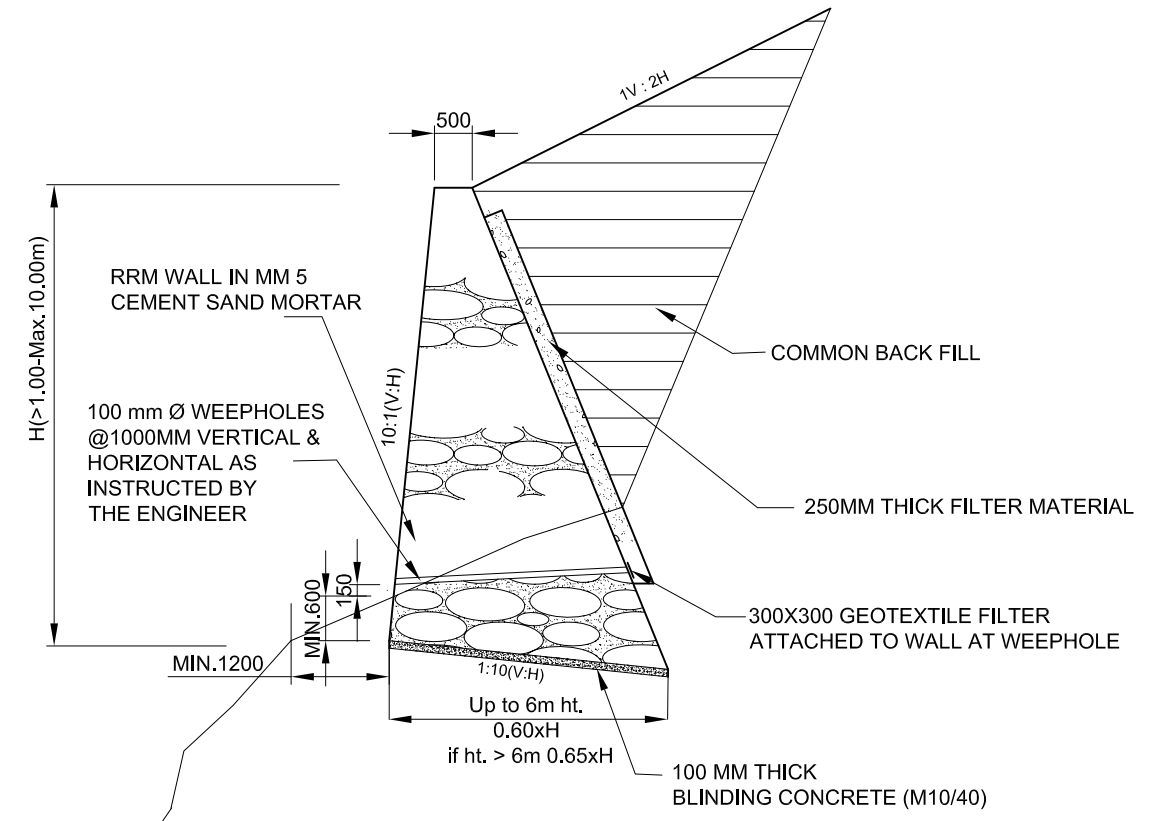
DATE:
 March 2022

DWG. NO.:
 RCIP2/DNG/BBJ/SD

SHEET NO.:
 11/17



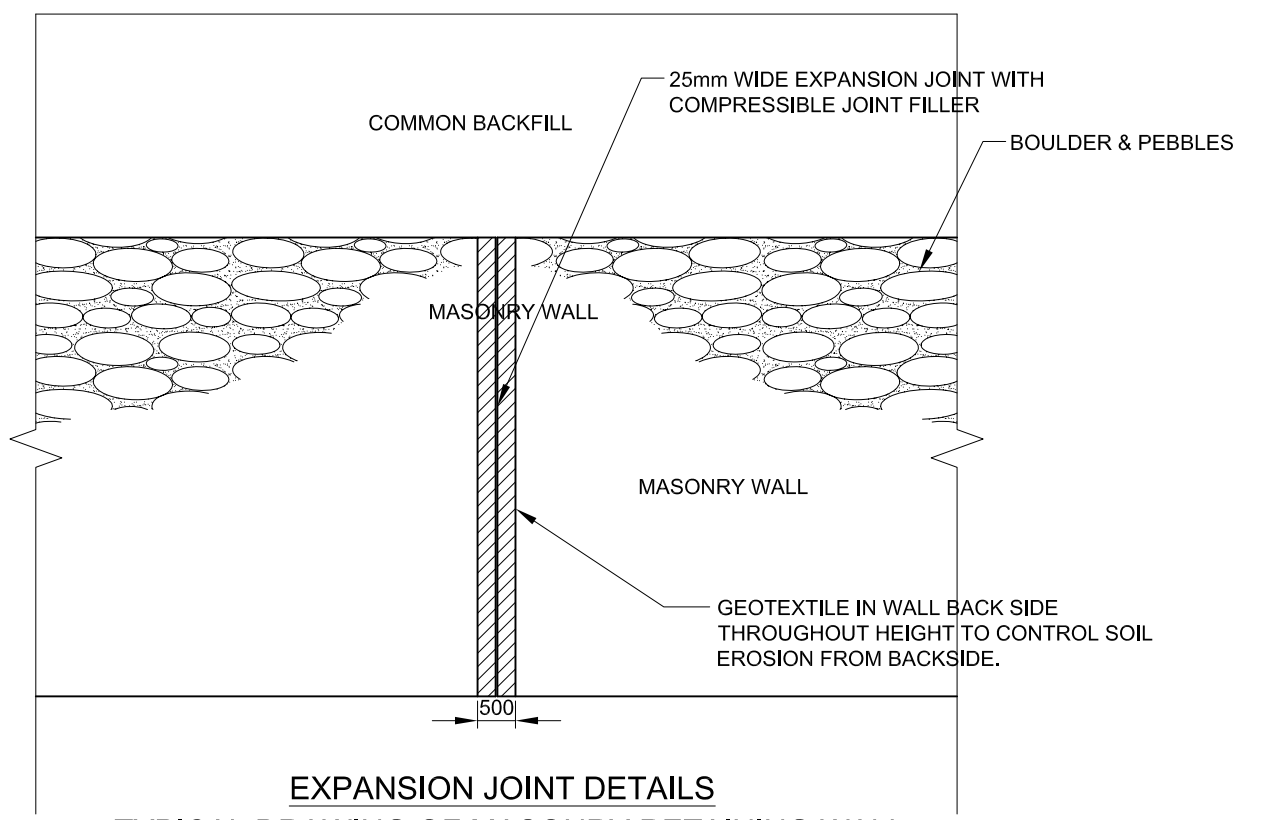
STONE MASONRY WALL



STONE MASONRY WALL

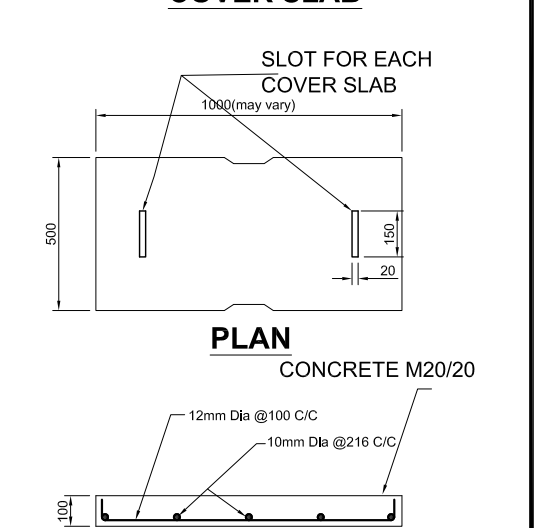
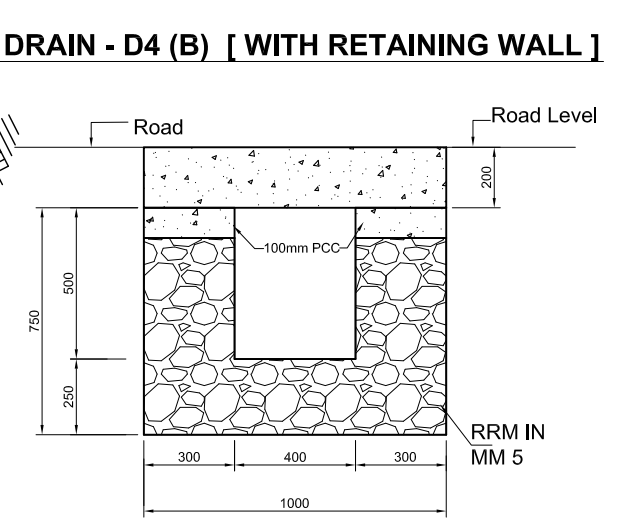
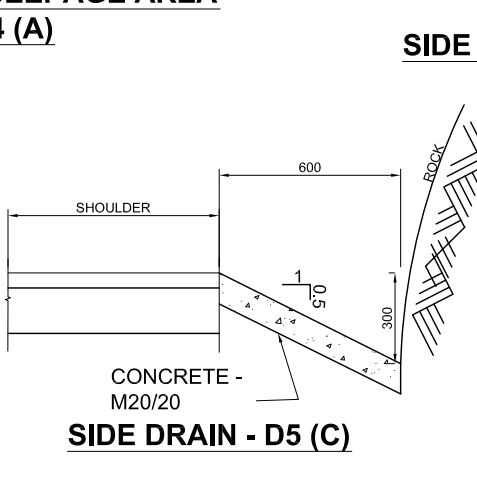
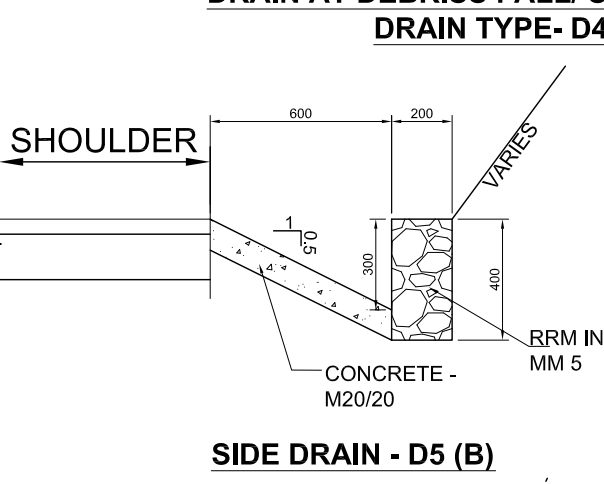
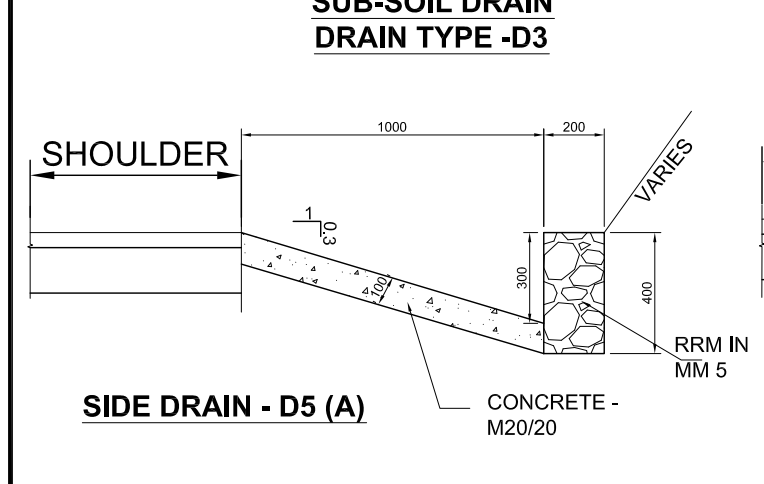
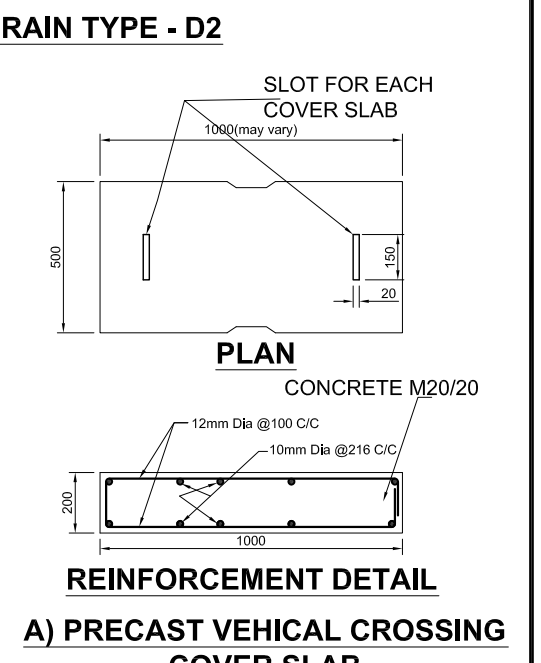
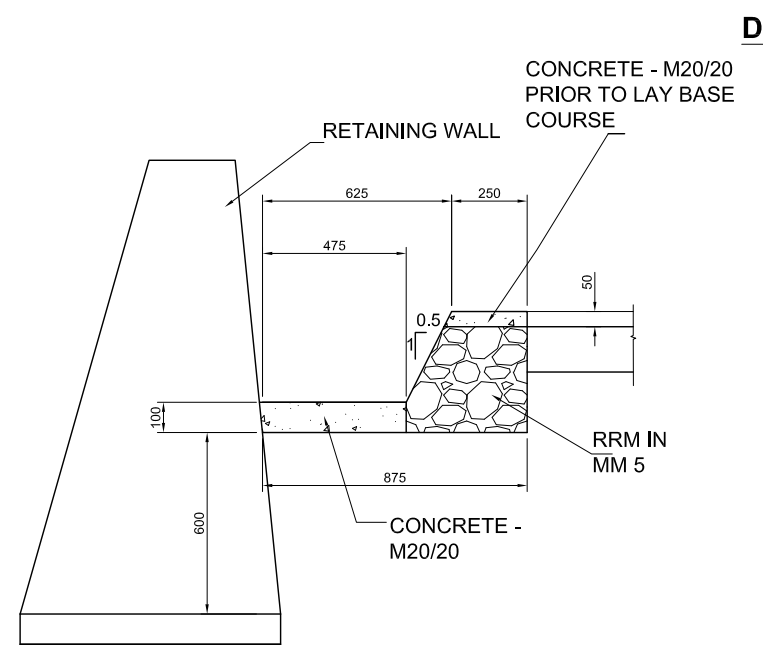
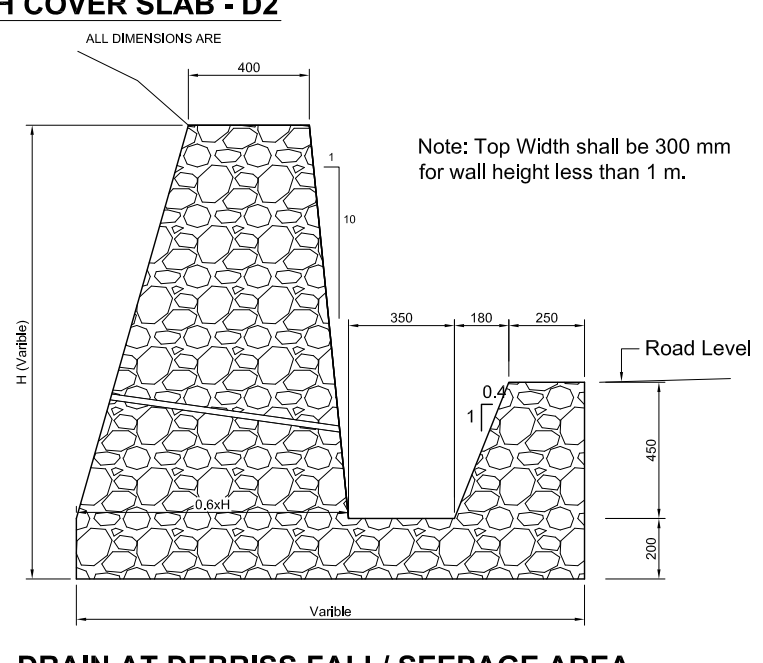
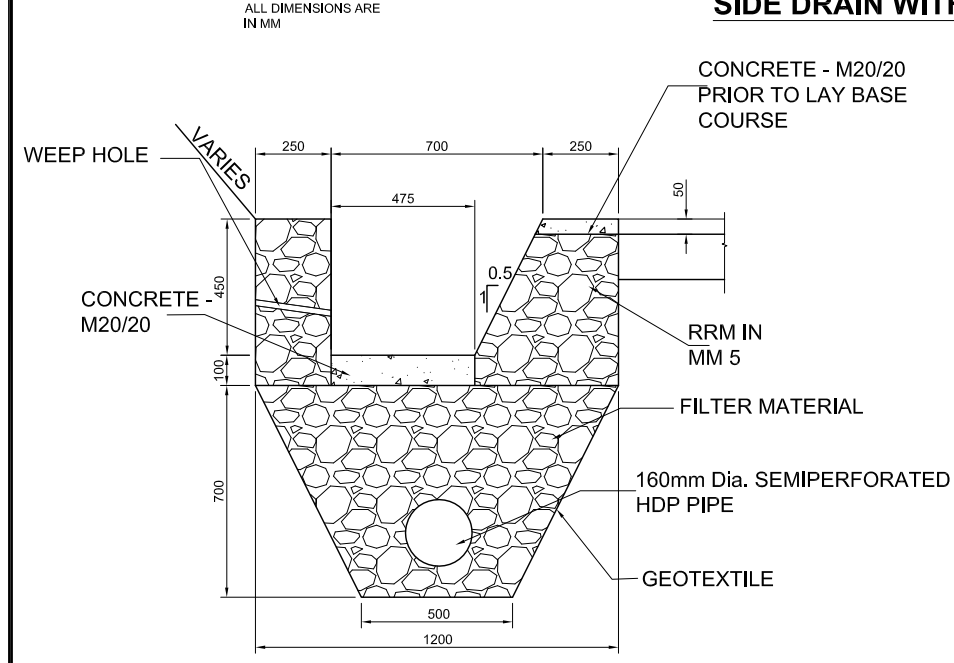
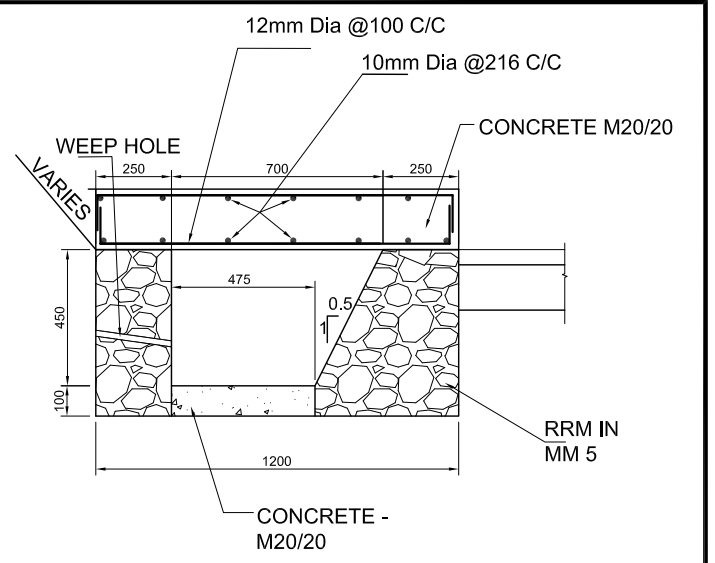
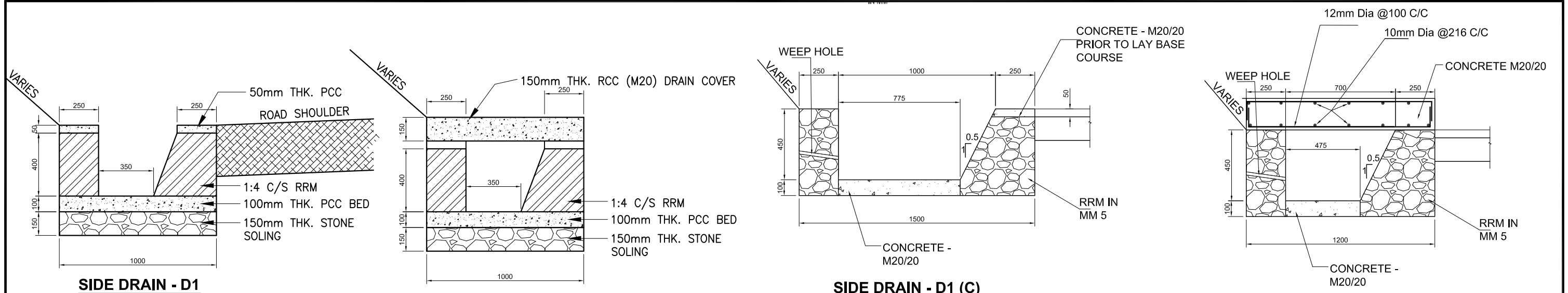
NOTES :

1. Wall height is to be modified as per actual site condition or as directed by the Engineer.
2. Wall height for more than 6.0 m, soil investigation is to be done or as directed by the Engineer.
3. Expansion Joint is to be provided maximum at a distance of 10.0 m C/C .It should be located, wherever possible, at every major changes in the wall height or as directed by the Engineer.
4. Mortar joint width to be 25mm to 35mm. Exposed face of masonry is to be free from mortar stains.
5. Minimum depth of foundation shall be 600mm or as directed by the Engineer.
6. Lowest weep hole should not be more than 200mm above final ground level at the toe of wall or as directed by the Engineer.
7. Place the foundation inclined at 10% slope
8. Retaining wall shall be curved in plan & profile to the center line of road where directed by the Engineer.
9. Wall interior is not to be filled with dry stone rubble.
10. Others not mentioned shall be in accordance with the specifications and special provisions
11. Weep holes shall be 100 mm wide, 100 mm high in general.
But in case of seepage area, 100 mm dia. PVC pipe shall be used as directed by the Engineer.



**EXPANSION JOINT DETAILS
TYPICAL DRAWING OF MASONRY RETAINING WALL**

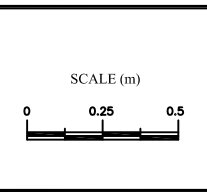
Government of Nepal Ministry of Federal Affairs and General Administration Department of Local Infrastructure (DoLI) Rural Connectivity Improvement Project-phase 2 (DoLI/RCIP/DPR-04/2019)	CONSULTANTS : ITECO - INCLUSIVE JV Sitapaila Chowk, Ring Road	SCALE (m) 	SHEET TITLE: STANDARD DRAWINGS OF STONE MASONRY WALL	REV. NO.	DATE	DESCRIPTION	SIGNATURE	NAME OF PROJECT: Bijauri-Basdabara-Jamuni-Laxmipur- Dakchin-Kurariya-Kanjawar-Kothari Road Dang District	DATE: March 2022
				DRAWN BY: DESIGNED BY: CHECKED BY: APPROVED BY:	REVISIONS		DWG. NO.: RCIP2/DNG/BBJ/SD		SHEET NO.: 12/17



Note:
 Height of drain wall may vary in case of deeper drain to meet the requirement as per the site condition

Government of Nepal
 Ministry of Federal Affairs and General Administration
 Department of Local Infrastructure (DoLI)
 Rural Connectivity Improvement Project-phase 2
 (DoLI/RCIP/DPR-04/2019)

CONSULTANTS :
ITECO - INCLUSIVE JV
 Sitapaila Chowk, Ring Road



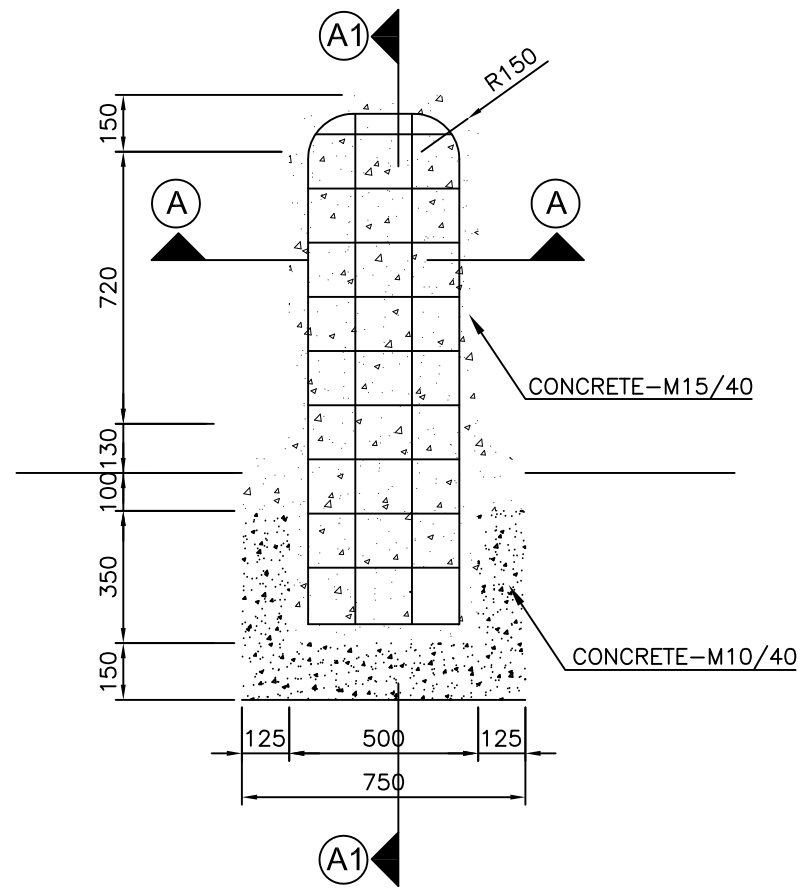
SHEET TITLE:
 STANDARD DRAWINGS OF ROAD SIDE DRAINS

REV. NO.	DATE	DESCRIPTION	SIGNATURE

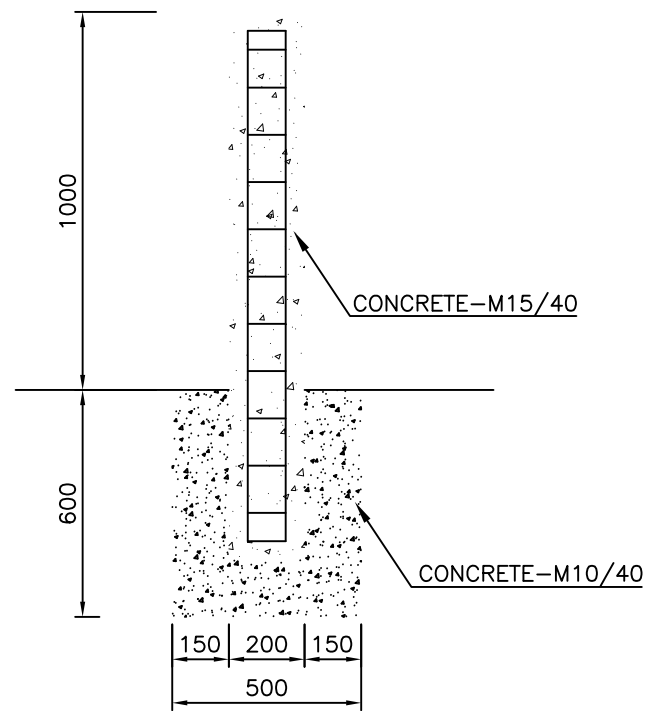
NAME OF PROJECT:
Bijauri-Basdabara-Jamuni-Laxmipur-Dakchin-Kurariya-Kanjawar-Kothari Road
 Dang District

DATE:
 March 2022
 DWG. NO.:
 RCIP2/DNG/BBJ/SD
 SHEET NO.:
 13/17

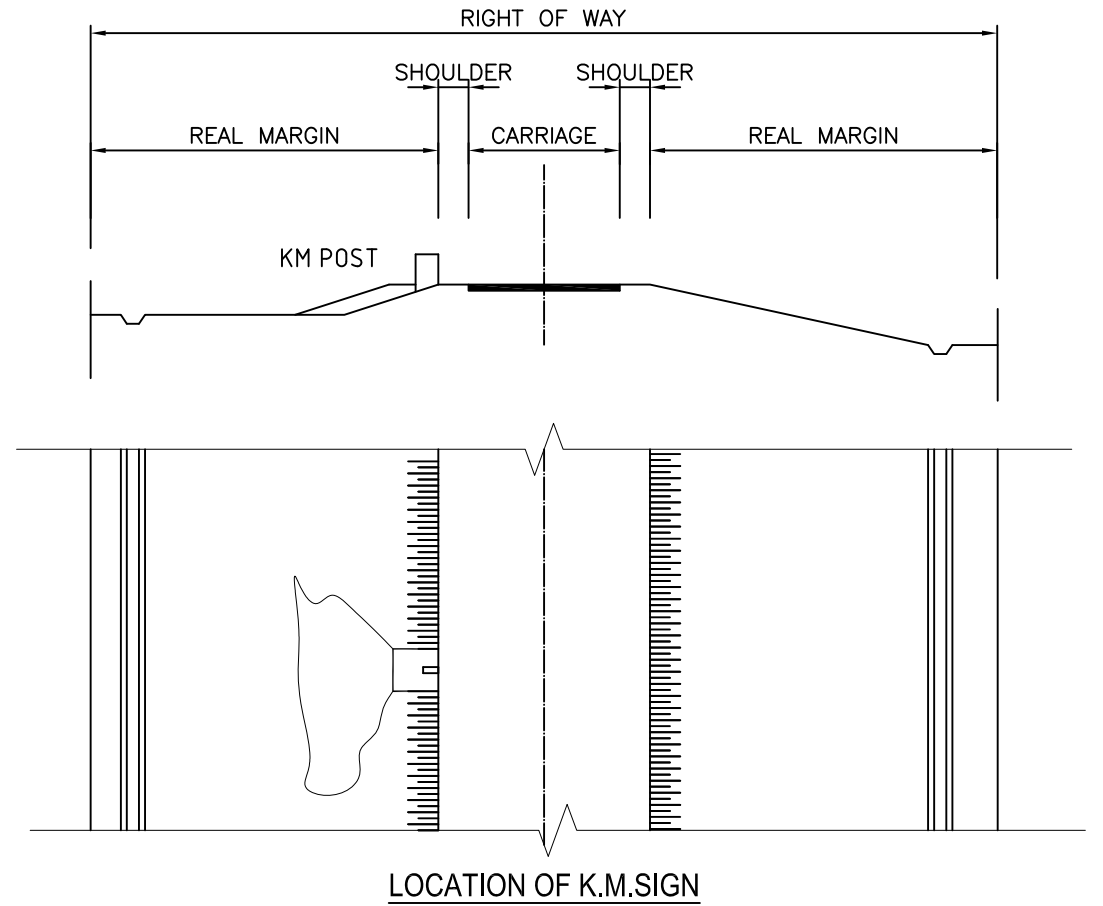
5TH. KILOMETRE STONE



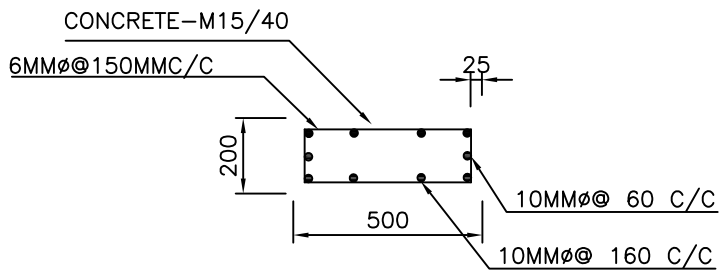
SECTIONAL ELEVATION



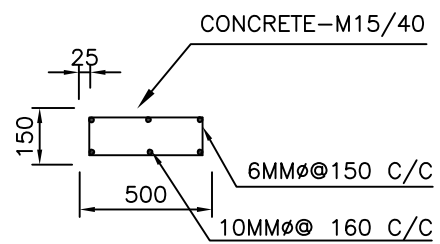
SECTION A1/A1



LOCATION OF K.M. SIGN

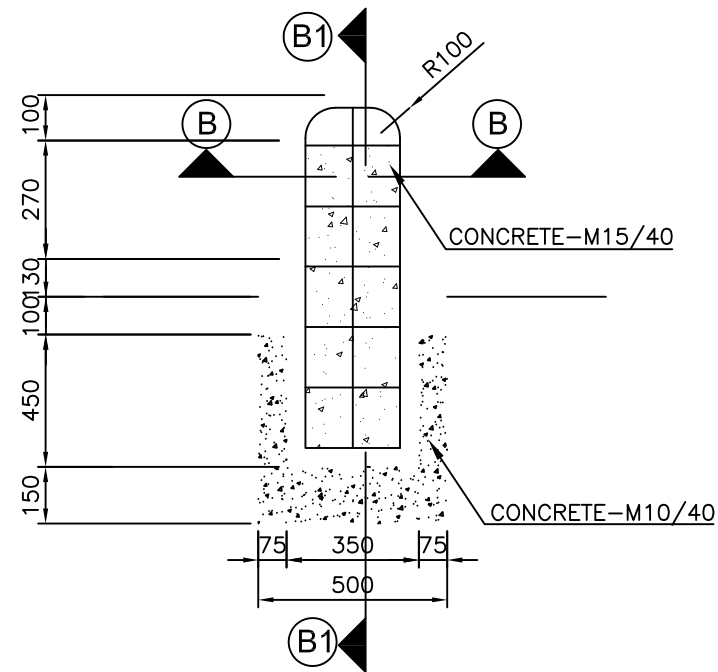


SECTION A/A

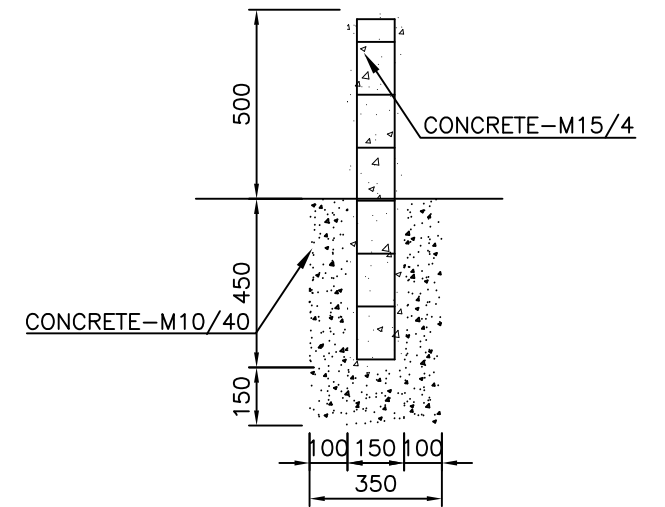


SECTION B/B

KILOMETRE STONE



SECTIONAL ELEVATION



SECTION B1/B1

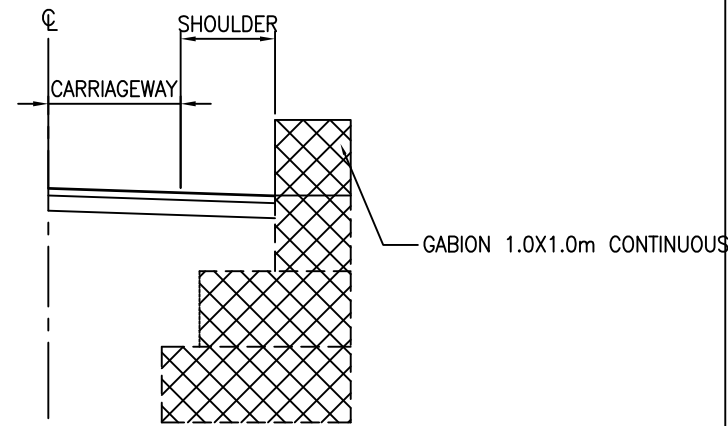
NOTE #:

1. ALL DIMENSIONS ARE IN MILLIMETER UNLESS OTHERWISE STATED.
2. ANY DECRIANCY, DOR STANDARD DRAWING SHALL BE FOLLOWED.

Government of Nepal Ministry of Federal Affairs and General Administration Department of Local Infrastructure (DoLI) Rural Connectivity Improvement Project-phase 2 (DoLI/RCIP/DPR-04/2019)	CONSULTANTS : ITECO - INCLUSIVE JV Sitapaila Chowk, Ring Road	SCALE (m) 	SHEET TITLE: STANDARD DRAWINGS OF KILOMETRE POST	REV. NO.	DATE	DESCRIPTION	SIGNATURE	NAME OF PROJECT: Bijauri-Basdabara-Jamuni-Laxmipur- Dakchin-Kurariya-Kanjawar-Kothari Road Dang District	DATE: March 2022
				DRAWN BY:	DESIGNED BY:	CHECKED BY:	APPROVED BY:		DWG. NO.: RCIP2/DNG/BBJ/SD
				REVISIONS					

WORK QUANTITIES (Per Linear Metre)

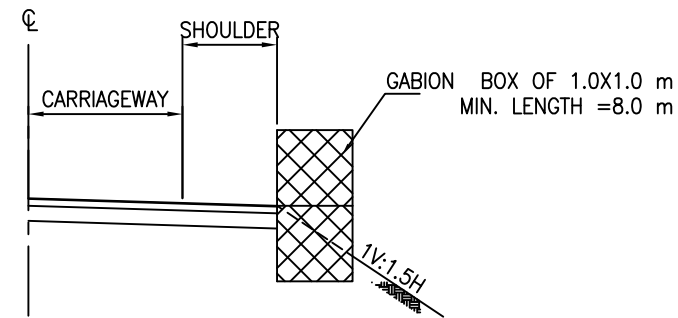
Item No	Description	UNIT	QUANTITY
	Gabion Box	m3	1.00



GABION BARRIER FOR GABION WALL (HEIGHT>3.0 m)

WORK QUANTITIES (Per Linear Metre)

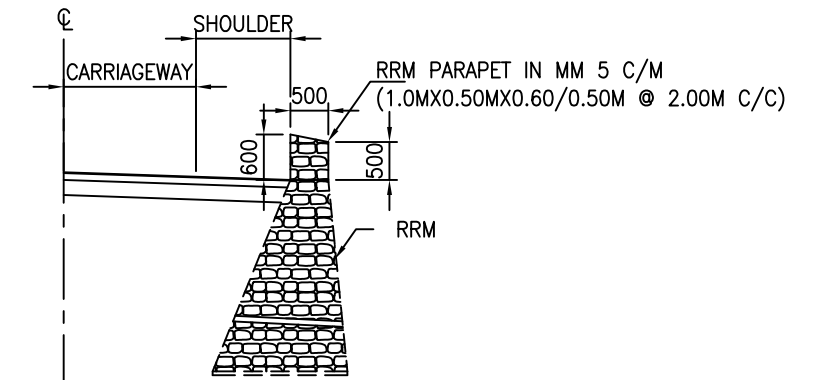
Item No	Description	UNIT	QUANTITY
	Earth Work in Excavation	m3	0.67
	Gabion Box	m3	2.00



GABION BARRIER FOR EMBANKMENT (HEIGHT>3.0 m)

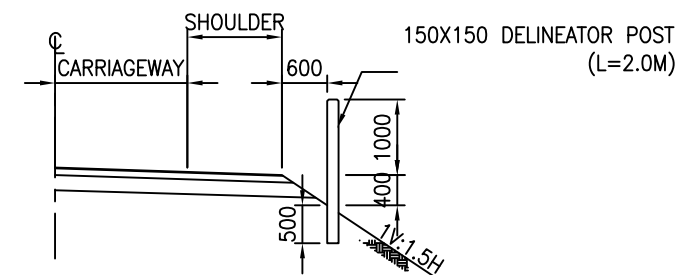
WORK QUANTITIES (Per Linear Metre)

Item No	Description	UNIT	QUANTITY
	RRM IN 5 C/M	m3	0.14

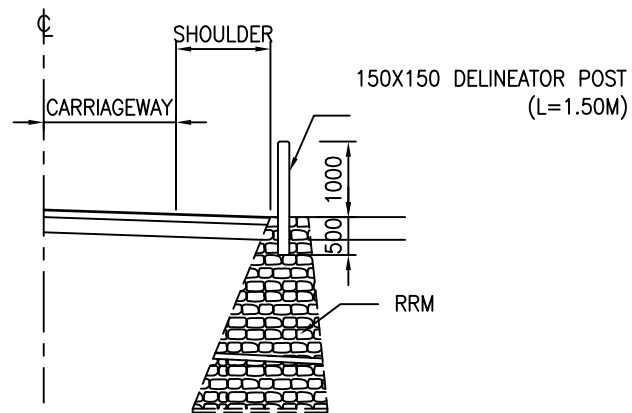


RRM PARAPET FOR RRM WALL (HEIGHT>3.0 m)

NOTE#: DELINEATORS ARE TO BE ERRECTED 600 MM FROM THE ROAD EDGE.



DELINEATOR FOR EMBANKMENT (HEIGHT<=3.0 m)



DELINEATOR FOR MASONRY WALL (HEIGHT<=3.0 m)

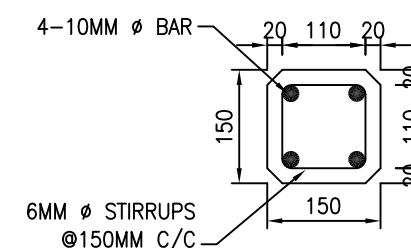
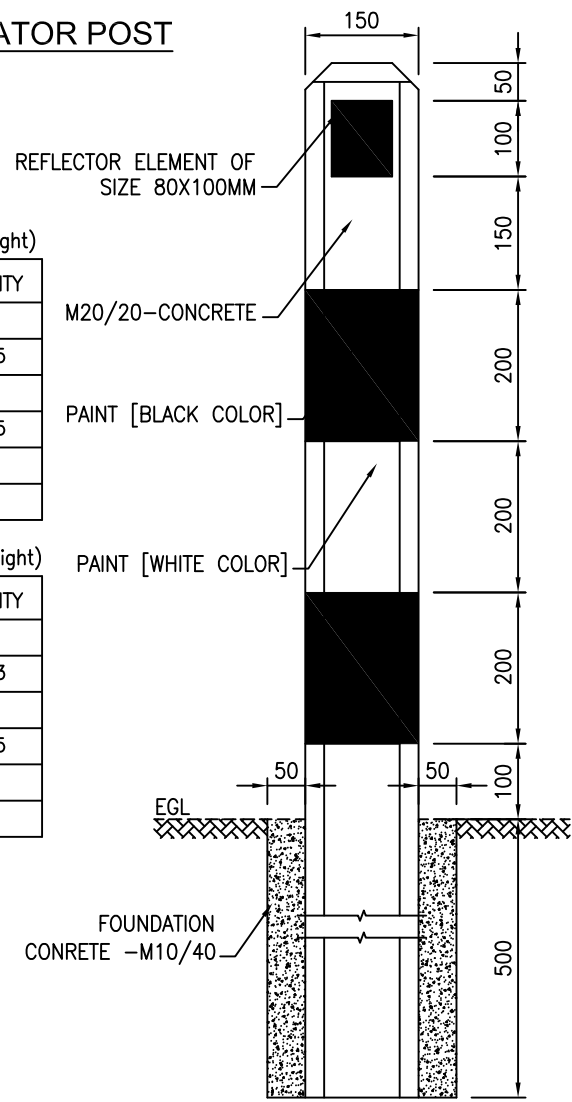
DETAILING OF DELINEATOR POST (SCALE - 1:10)

WORK QUANTITIES (For 2.0m Height)

ITEM NO	Description	UNIT	QUANTITY
	EARTH WORK EXACAVATION	m3	0.03
	M20/20 - CONCRETE	m3	0.045
	M10/40 - CONCRETE	m3	0.02
	FORMWORK (F2)	m2	0.945
	10MM Ø BAR	Kg.	4.96
	6MM Ø STIRRUPS	Kg.	1.50

WORK QUANTITIES (For 1.50m Height)

ITEM NO	Description	UNIT	QUANTITY
	EARTH WORK EXACAVATION	m3	0.03
	M20/20 - CONCRETE	m3	0.033
	M10/40 - CONCRETE	m3	0.02
	FORMWORK (F2)	m2	0.735
	10MM Ø BAR	Kg.	3.72
	6MM Ø STIRRUPS	Kg.	1.20

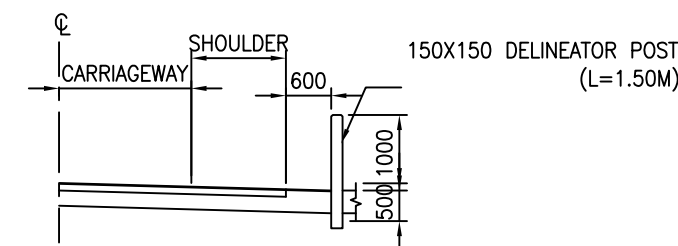


PLAN

SECTIONAL ELEVATION

RECOMMENDED SPACING FOR DELINEATOR.

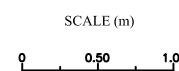
RADIUS OF Horizontal Curve(M)	SPACING OF POST DELINEATOR(M)	PURPOSE OF DELINEATION(M)
UPTO 30	6.0	Horizontal Curve
50	8.0	Horizontal Curve
100	12.0	Horizontal Curve
200	20.0	Horizontal Curve
300	25.0	Horizontal Curve
400	30.0	Horizontal Curve
500	35.0	Horizontal Curve
600	38.0	Other Purpose
700	42.0	Other Purpose
800	45.0	Other Purpose
900	48.0	Other Purpose
1000	50.0	Other Purpose
>1000 AND STRAIGHTS	70.0	Other Purpose



DELINEATOR FOR PLAIN AREA

Government of Nepal
Ministry of Federal Affairs and General Administration
Department of Local Infrastructure (DoLI)
Rural Connectivity Improvement Project-phase 2
(DoLI/RCIP/DPR-04/2019)

CONSULTANTS :
ITECO - INCLUSIVE JV
Sitapaila Chowk, Ring Road

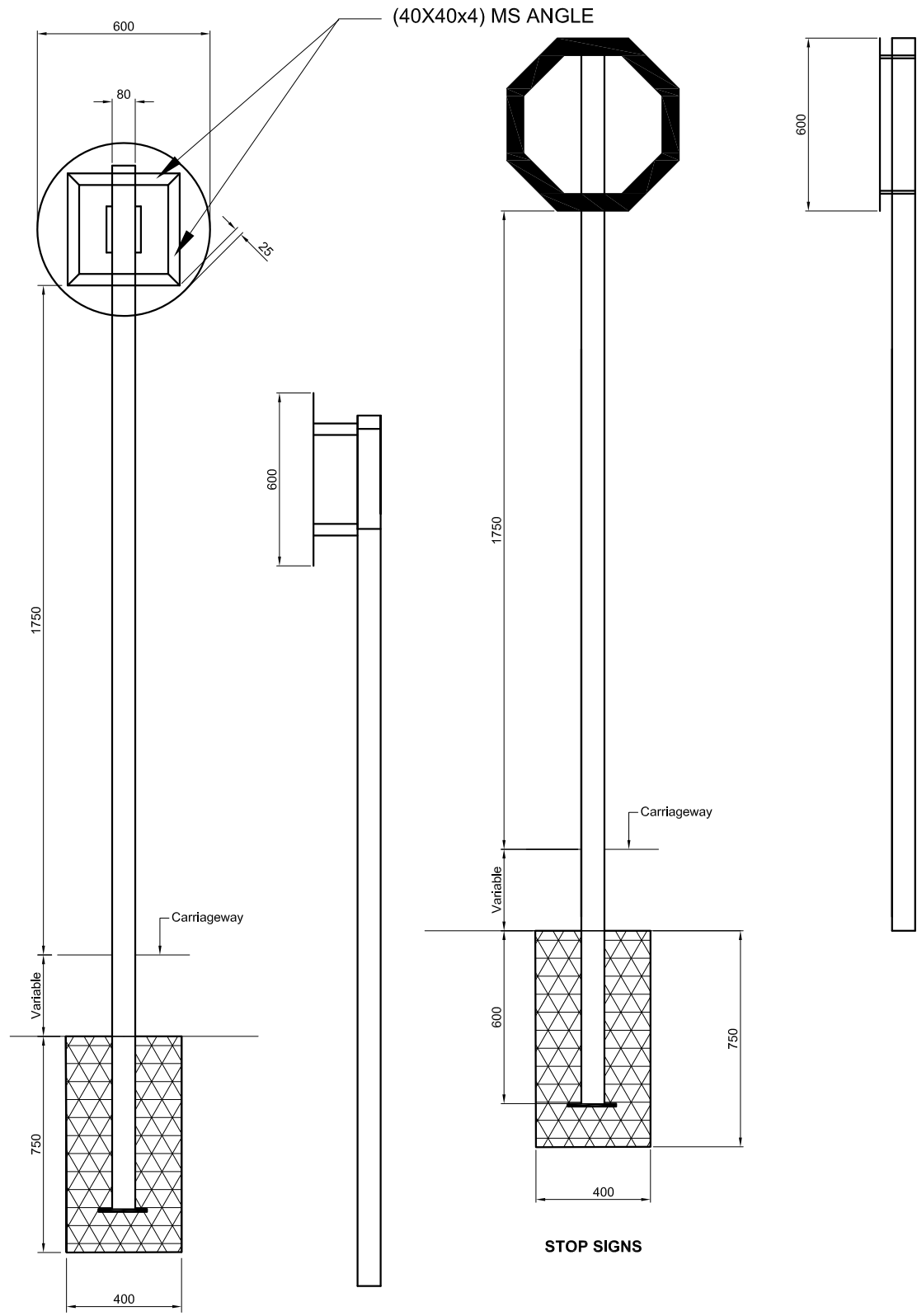


SHEET TITLE:
STANDARD DRAWINGS OF
ROAD SAFETY BARRIER

REV. NO.	DATE	DESCRIPTION	SIGNATURE

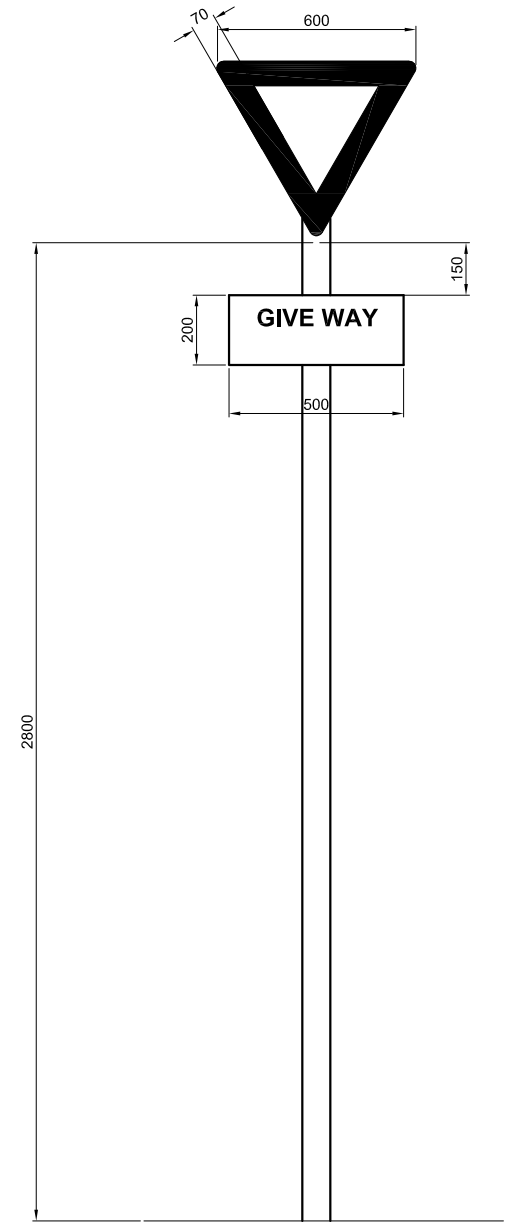
NAME OF PROJECT:
**Bijauri-Basdabara-Jamuni-Laxmipur-
Dakchin-Kurariya-Kanjawar-Kothari Road**
Dang District

DATE:
March 2022
DWG. NO.:
RCIP2/DNG/BBJ/SD
SHEET NO.:
15/17

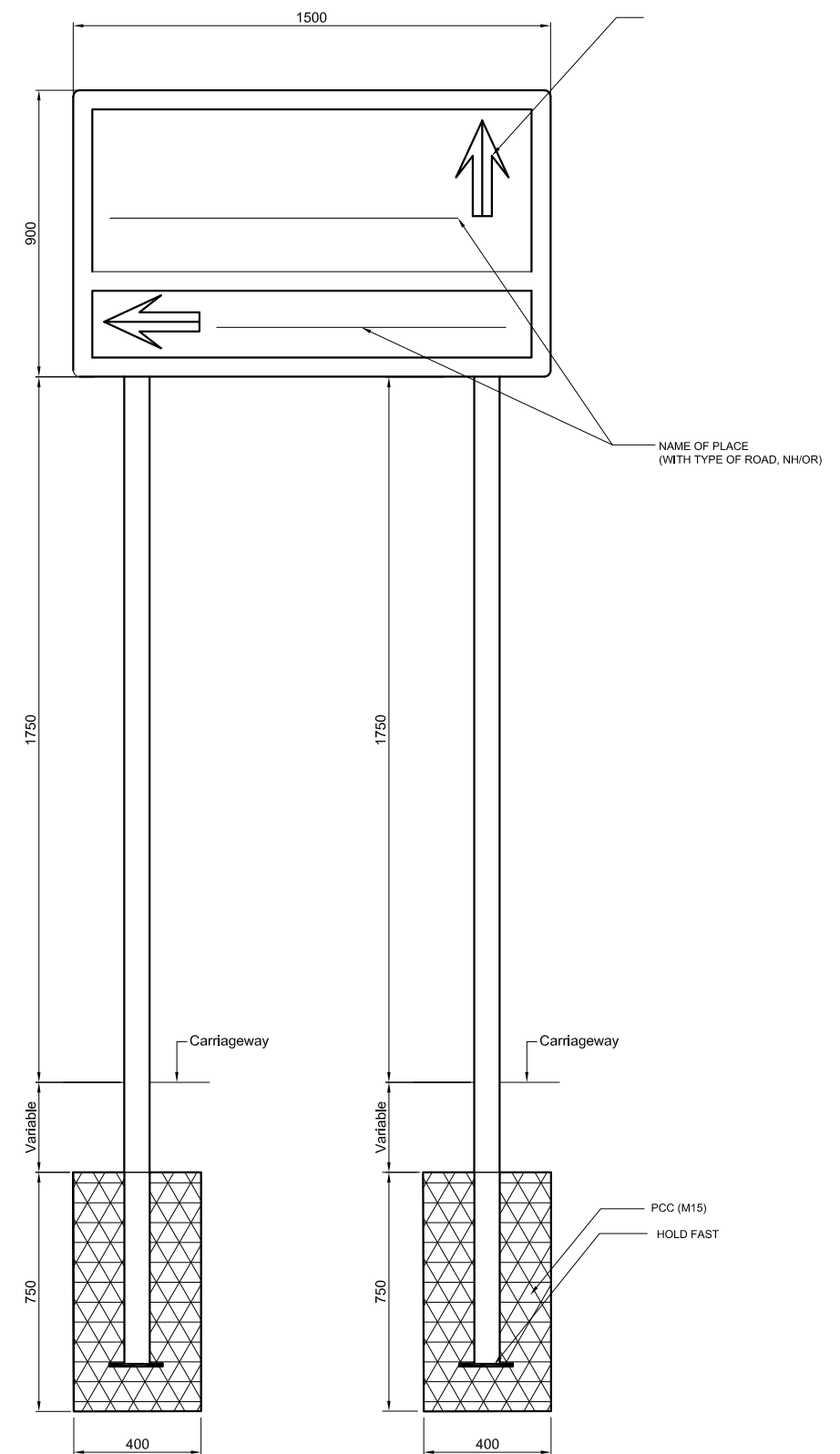


CIRCULAR SIGNS

STOP SIGNS



GIVE WAY



ADVANCED DIRECTIONAL SIGN (C24)

Government of Nepal
 Ministry of Federal Affairs and General Administration
 Department of Local Infrastructure (DoLI)
Rural Connectivity Improvement Project-phase 2
 (DoLI/RCIP/DPR-04/2019)

CONSULTANTS :
ITECO - INCLUSIVE JV
 Sitapalla Chowk, Ring Road

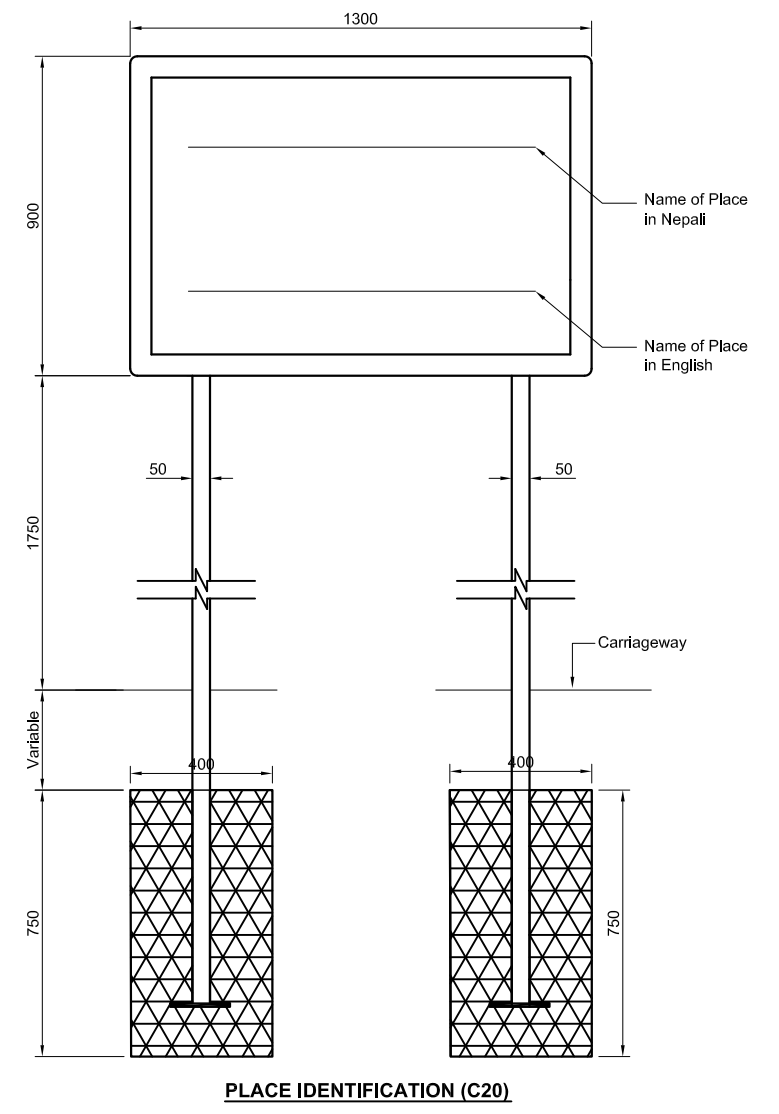
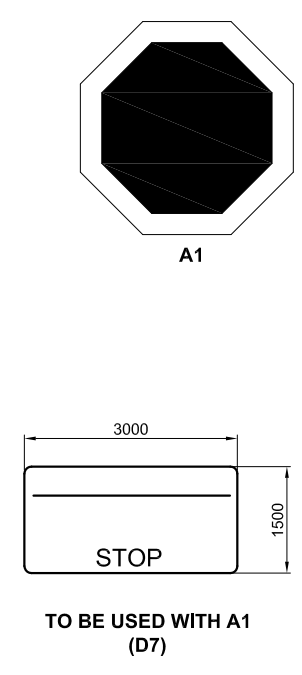
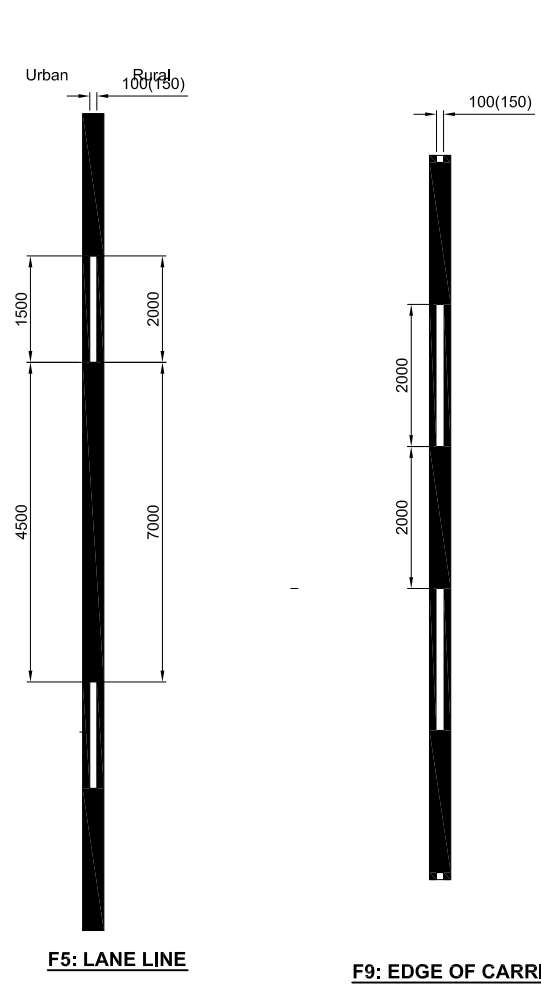
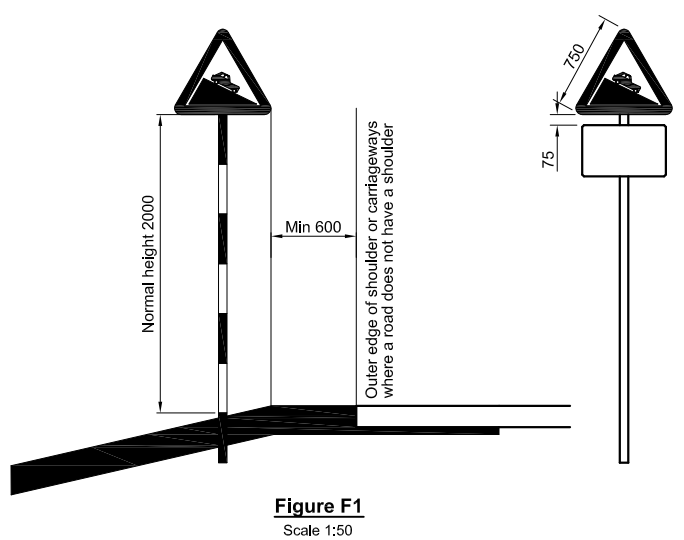
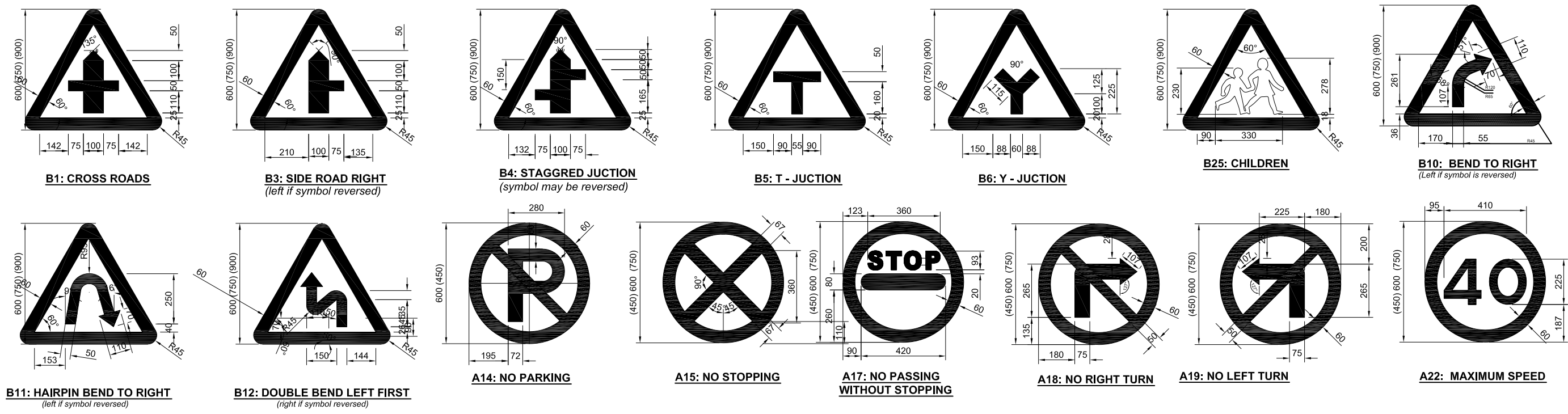
SCALE (m)

SHEET TITLE:
STANDARD DRAWINGS OF TRAFFIC SIGNS

	REV. NO.	DATE	DESCRIPTION	SIGNATURE
DRAWN BY:				
DESIGNED BY:				
CHECKED BY:				
APPROVED BY:				
REVISIONS				

NAME OF PROJECT:
**Bijauri-Basdabara-Jamuni-Laxmipur-
 Dakchin-Kurariya-Kanjawar-Kothari Road**
Dang District

DATE:
 March 2022
 DWG. NO.:
 RCIP2/DNG/BBJ/SD
 SHEET NO.:
 16/17



Government of Nepal Ministry of Federal Affairs and General Administration Department of Local Infrastructure (DoLI) Rural Connectivity Improvement Project-phase 2 (DoLI/RCIP/DPR-04/2019)	CONSULTANTS : ITECO - INCLUSIVE JV Sitapaila Chowk, Ring Road	SCALE (m)	SHEET TITLE: STANDARD DRAWINGS OF TRAFFIC SIGNS	DRAWN BY:	REV. NO.	DATE	DESCRIPTION	SIGNATURE	NAME OF PROJECT: Bijauri-Basdabara-Jamuni-Laxmipur-Dakchin-Kurariya-Kanjawar-Kothari Road Dang District	DATE: March 2022
										DWG. NO.: RCIP2/DNG/BBJ/SD
										SHEET NO.: 17/17
	REVISIONS									